

Model #

3735

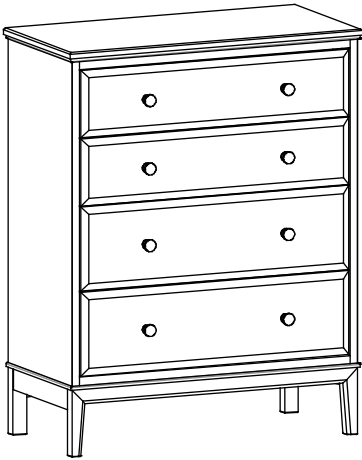
Virginia 4-Drawer Chest

AME =Americano finish

LAT = Latte finish

MOC = Mocha finish

Assembly Instructions



Thank you for allowing us to help you furnish your home. We are certain you will be delighted with your new furniture for many years to come.

IMPORTANT NOTES:

- For normal household use only. *Not* recommended for commercial use.
- Do not remove or modify the counterweight. It is an important part of the stability and safety system.
- Do not overload the drawers.
- Unload items before you move this unit.
- This assembly requires two people.

! WARNING		
	<p>Children have died from furniture tipover. To reduce the risk of furniture tipover:</p> <ul style="list-style-type: none"> • ALWAYS install Anti-tip device provided. • NEVER put a TV on this product. 	<p>DO NOT remove the interlock system except for maintenance as shown. NEVER use the unit without the interlock installed following the instructions.</p>
	<ul style="list-style-type: none"> • NEVER allow children to stand, climb or hang on any drawers, doors or shelves. • NEVER open more than one drawer at a time. • DO NOT defeat or remove the drawer interlock system; it is an important stability and safety system. • Place heaviest items in the lowest drawers. 	<p>The snapper arm must be angled forward in the locked positions to engage the interlock system after removing a drawer. See diagram below.</p> <div style="text-align: right;"> <p>Close up view of locked snapper</p> </div>
<p>Drilling, sawing, sanding or machining wood products can expose you to wood dust, a substance known to the state of California to cause cancer. Avoid inhaling wood dust or use a dust mask or other safeguards for personal protection. For more information go to: www.p65warnings.ca.gov/wood This product can expose you to chemicals, including formaldehyde, which are known to the State of California to cause cancer. For more information go to: www.p65warnings.ca.gov/furniture</p>		

DESIGN SUBJECT TO CHANGE WITHOUT NOTICE.

CUSTOMER SERVICE

If you ever have questions about your furniture, please do not hesitate to contact us. In the unlikely event you need a replacement part; we can make those parts available through an authorized Whittier Wood Furniture dealer. If you cannot order replacement parts through your dealer, please contact our customer service department.

Hours: Our friendly customer service staff can be reached:

Monday-Friday 8:00 a.m. to 5:00 p.m. (Pacific Time).

You may leave a message 24 hours a day, seven days a week.

Customer Service: 800-653-3336 • **Outside the U.S.:** 541-687-0213

Fax: 541-687-2060 • **Email:** info@whittierwood.com



P.O. Box 2827
Eugene, OR 97402 USA

Production Code :
VN 03/26

3735 Virginia 4-Drawer Chest



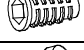



Parts List

Please identify the parts and check that quantities received match those on this list.
If you need to replace a part, refer to the following letter and part name.

Part	Description	Quantity
A	37358001 Top Assembly (attached)	1
B	37356001 Case Assembly (attached)	1
C	11353001 Base Assembly (attached)	1
D	11434411 Small Drawer Box (inserted)	2
E	11434421 Large Drawer Box (inserted)	2
F	37352531 Small Drawer Face (installed)	2
G	37352731 Large Upper Drawer Face (installed)	2
H	9500181 Anti-Tip Snapper (attached)	2
I	9500191 Drawer Clip (attached)	4
J	9500261 Linkage Arm (attached)	2
K	9501356 Aluminum Support Bar (attached)	1
L	9501588 12" Drawer Slides (pre-installed sets)	4
M	9501841 #6 x 3/4" Philtruss Screw (inserted)	30
N	9502122 #6 x 1/2" Philtruss Screw (inserted)	36
O	9502141 #6 x 5/8" Philtruss Screw (inserted)	6
P	9502261 #8 x 1-3/8" Black Lo-Profile Screw (inserted)	10
Q	9502321 #8 x 1-1/4" Pan Head Screw (inserted)	20
R	9502331 #8 x 7/8" Black Lo-Profile Screw (inserted)	40
S	9502361 #8 x 1-3/4" Pan Head Screw (inserted)	16
T	9502821 #8 x 1-5/8" Machine Screw Tuscan (installed)	8
U	9503101 #10 x 2" Pan Head Screw (inserted)	2
V	9506063 Washer (inserted)	2
W	9506181 1/4" Hex Nut (inserted)	2
X	9506211 1/4" T-Nut (inserted)	8

3735 Virginia 4-Drawer Chest

Parts List

Part		Description		Quantity
Y	9506463	1/4" x 25mm Hex Bolt (inserted)		8
ZA	9506465	1/4" x 18mm Hex Bolt (inserted)		2
ZB	9506501	1/4" x 20mm Insert Nut (inserted)		4
ZC	9507731	Virginia Knob (attached)		8
ZD	9508864	Slotted Leveler (installed)		4
ZE	9509132	Leveler Adjustment Key (attached to Owners Manual)		1
TS	9510005	Furniture Tipping Restraint (attached)		1 set

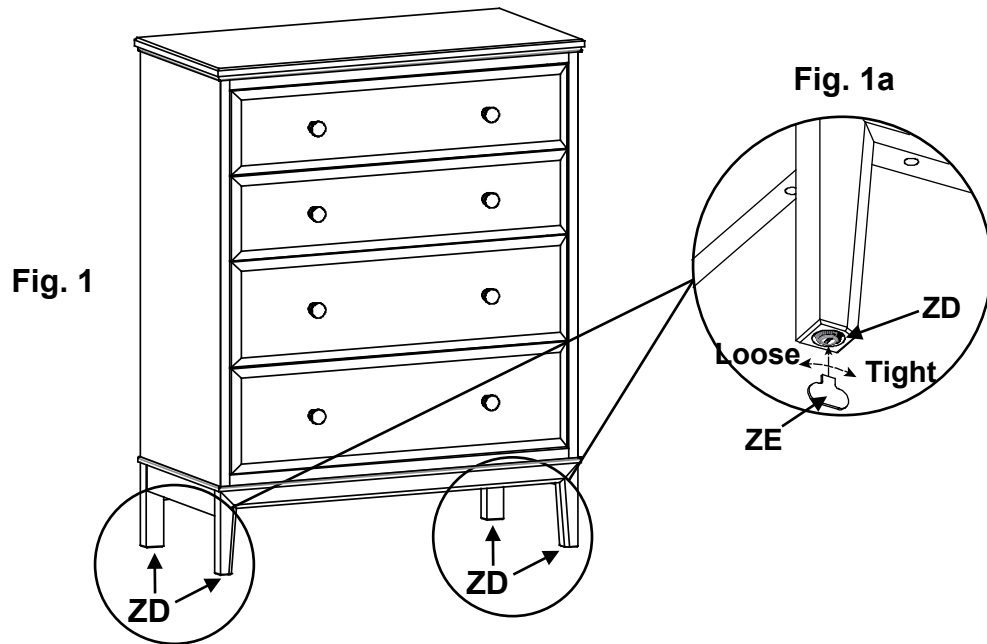
3735 Virginia 4-Drawer Chest

Assembly Instructions

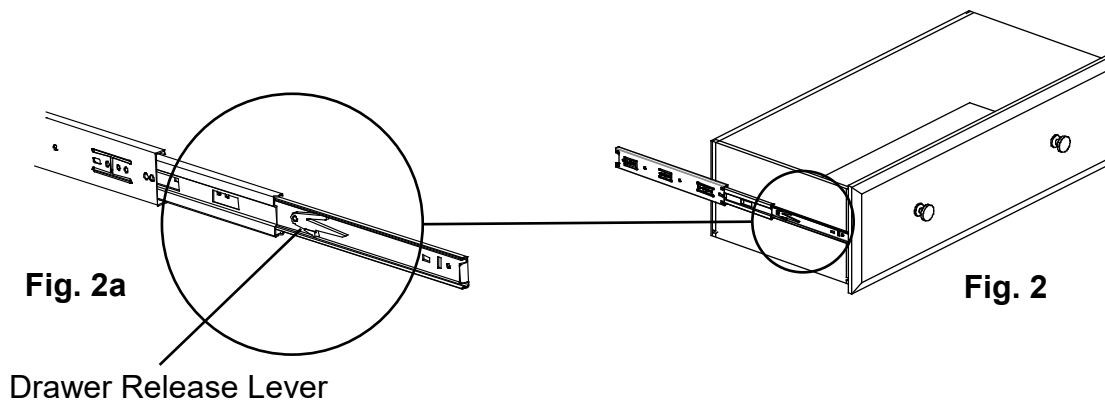
Tools Required: Phillips Screwdriver, Pencil.

Tool Provided: Leveler Adjustment Key in the Zip bag taped to the Owner's Manual and Safety Guide.

1. Place the unit at its final destination. Use the Leveler Adjustment Key (ZE), found in the Zip bag taped to the Owner's Manual and Safety Guide to rotate the Slotted Levelers (ZD) on the bottoms of the legs until the unit is level. See Figures 1 and 1a.



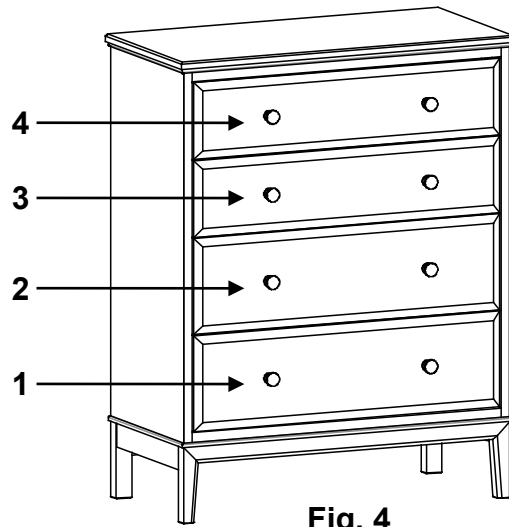
2. If you need to remove your drawers, pull up on the left Drawer Release Lever while pushing down on the right Drawer Release Lever and pull out the drawer. See Figures 2 and 2a. Note where each drawer came from to make sure you place them back into their correct positions.



3735 Virginia 4-Drawer Chest Assembly Instructions

3. This piece of furniture includes a drawer interlock system allowing only one lower drawer to be open at a time. This is a safety feature to reduce the risk of tip over. Do not defeat or remove the drawer interlock system.
4. When removing drawers from furniture featuring the Anti-Tip Drawer Interlock System it is important that the drawer be installed in its original location. Numbers and letters are stamped on the back of the drawers. Stamping sequence starts at the bottom, moves to the top and designated left or right.

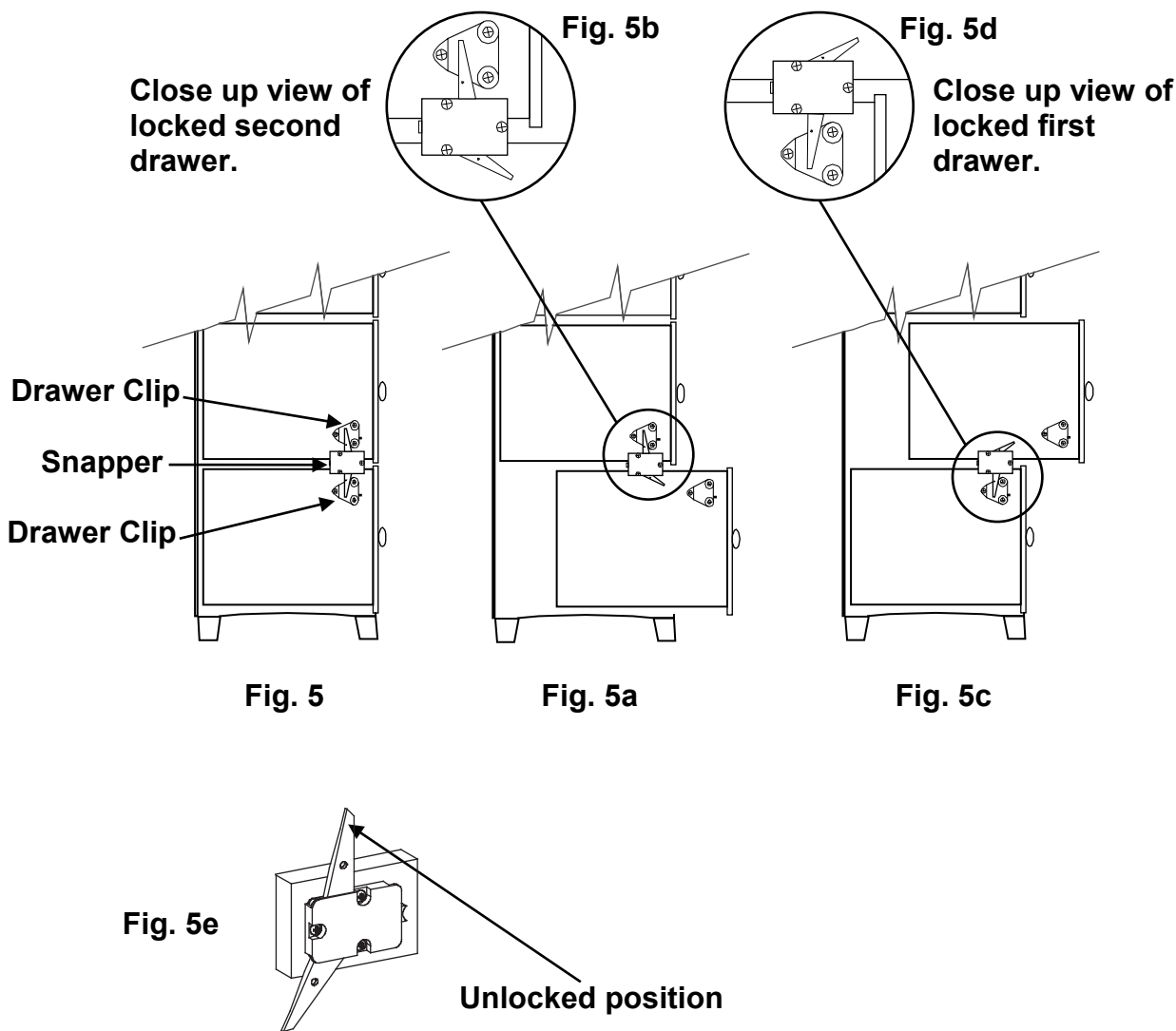
Drawer back stamping example:



3735 Virginia 4-Drawer Chest

Assembly Instructions

5. Example; if you want to remove the First Drawer and Second Drawer from the chest; remove the Second Drawer first. When you remove this drawer the upper arm on the Anti-Tip Snapper for that side will be pulled forward. See Fig. 5d. As long as this arm is angled toward the front of the case, you cannot remove the First Drawer. Move the upper arms of the Anti-tip Snapper to the unlocked position as shown in Figure 5e. You can then remove the First Drawer as shown in Step 2. To reinstall the drawers, install the First Drawer then move the upper arm of the Anti-tip Snapper to the forward locked position. Now you can reinstall the Second Drawer.



Continued on Page 7


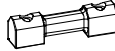


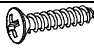

Furniture Tipping Restraint Instructions



Safety First! Anchor It!



Before you begin this assembly, identify each part and make sure the quantities received match what is on this list. If you need to replace a part, contact Whittier Wood Furniture customer service and refer to the following list for its name and letter code.

Part	Description	Quantity
A	Cam Buckle and Short Strap (installed) 	1
B	Plastic Bracket (installed) 	1
C	1" x 1000mm Long Strap (installed) 	1
D	#8 x 3" Pan Head Screw 	2
E	#10 x 1" Oval Head Screw (inserted) 	1
F	Washer 	1

! WARNING



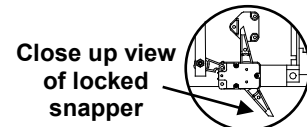
Children have died from furniture tipover. To reduce the risk of furniture tipover:

- ALWAYS install Anti-tip device provided.
- NEVER put a TV on this product.
- NEVER allow children to stand, climb or hang on any drawers, doors or shelves.
- NEVER open more than one drawer at a time.
- DO NOT defeat or remove the drawer interlock system; it is an important stability and safety system.
- Place heaviest items in the lowest drawers.

DO NOT remove the interlock system except for maintenance as shown. NEVER use the unit without the interlock installed following the instructions.



The snapper arm must be angled forward in the locked positions to engage the interlock system after removing a drawer. See diagram below.

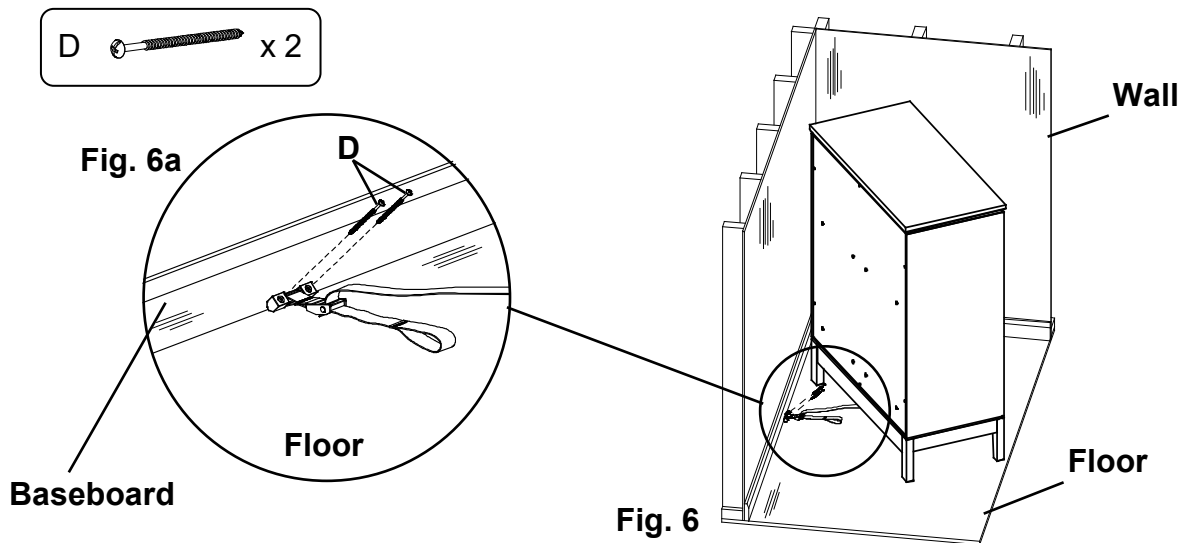


3735 Virginia 4-Drawer Chest

Assembly Instructions

If you have a stone or tile floor or do not wish to drive screws into the corner of the baseboard and floor see the instruction included inside the tipping restraint kit for an alternate installation.

- Decide where you want to place the piece of furniture in your room. Mark the baseboard with a pencil mark directly behind the location where the tipping restraint is attached to your item. Move the item away from the wall far enough to allow you to access the spot where the baseboard meets the floor. Position the straps and Plastic Bracket (B) as shown in Figures 6 and 6a with the angled corners of the Plastic Bracket (B) firmly placed against the seam of the baseboard and floor. Attach by driving #8 x 3" Pan Head Screws (D) through the holes in the Plastic Bracket (B) into the seam below the baseboard where it meets the floor. See Figures 6 and 6a.



- Move the item back into position against the wall and reach underneath the piece of furniture to grasp the loop in the free end of the strap. Pull the free end of the strap until portion between the Cam Buckle (A) and the back apron of the item is tight. See Figures 7 and 7a. If you need to move the piece of furniture reach beneath and locate the buckle which connects the two sections of the strap and depress the release lever, then pull on the section of strap that is between the buckle and the back apron of the furniture until there is enough slack to allow you to pull the item away from the wall.

