

# Bailey Upholstered Panel Beds

ALM = Almond finish

NTM = Nutmeg finish

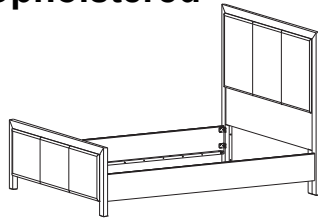
NAT = Natural finish

*Assembly Instructions*

Model #

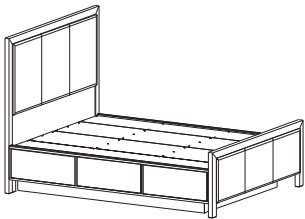
**2945 Bailey Queen Upholstered Panel Bed**

**2948 Bailey King Upholstered Panel Bed**



**2955 Bailey Queen Upholstered Panel Storage Bed**

**2956 Bailey King Upholstered Panel Storage Bed**



*Thank you for allowing us to help you furnish your home. We are certain you will be delighted with your new furniture for many years to come.*

## IMPORTANT NOTES:

- For normal household use only. *Not* recommended for commercial use.
- Remove items before you move this unit.
- Do not overload the drawers.
- This assembly requires two people.

## WARNING

Drilling, sawing, sanding or machining wood products can expose you to wood dust, a substance known to the state of California to cause cancer. Avoid inhaling wood dust or use a dust mask or other safeguards for personal protection.

For more information go to: [www.p65warnings.ca.gov/wood](http://www.p65warnings.ca.gov/wood)

This product can expose you to chemicals, including formaldehyde, which are known to the State of California to cause cancer.

For more information go to: [www.p65warnings.ca.gov/furniture](http://www.p65warnings.ca.gov/furniture)

## Care and Maintenance:

Vacuum clean frequently using a furniture nozzle. Remove stains as soon as they occur using a casual kitchen cloth, mild soap and water. Do not use any strong cleaning or bleaching agents. Machine clean at 30°C/ 86°F.

## DESIGN SUBJECT TO CHANGE WITHOUT NOTICE.

- Storage Bed Instructions pages 6 - 12
- Rail Bed Instructions pages 13 – 15
- Hollywood Frame Instructions page 16

## CUSTOMER SERVICE

If you ever have questions about your furniture, please do not hesitate to contact us. In the unlikely event you need a replacement part; we can make those parts available through an authorized Whittier Wood Furniture dealer. If you cannot order replacement parts through your dealer, please contact our customer service department.

**Hours:** Our friendly customer service staff can be reached:

**Monday-Friday 8:00 a.m. to 5:00 p.m. (Pacific Time).**

You may leave a message 24 hours a day, seven days a week.

**Customer Service:** 800-653-3336 • **Outside the U.S.:** 541-687-0213

**Fax:** 541-687-2060 • **Email:** [info@whittierwood.com](mailto:info@whittierwood.com)

**Whittier  
Wood**  
FURNITURE

P.O. Box 2827  
Eugene, OR 97402 USA

Production Code:

VN

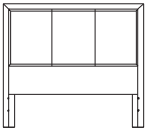
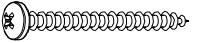


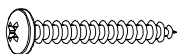



03/26

**2945 Bailey Queen Upholstered Panel Bed**  
**2948 Bailey King Upholstered Panel Bed**  
**2955 Bailey Queen Upholstered Panel Storage Bed**  
**2956 Bailey King Upholstered Panel Storage Bed**  
*Parts List*

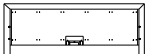
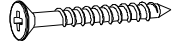

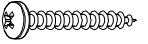
Please note this Assembly Instruction is for Bailey Upholstered Panel Headboards (#2946 Queen, #2949 King), Bailey Upholstered Panel Beds (#2945 Queen and #2948 King), and Bailey Upholstered Panel Storage Beds (#2955 Queen and #2956 King). The Parts Lists for each component follow.

Please identify the parts and check that quantities received match those on this list.  
 If you need to replace a part, refer to the finish name, following letter and part name.

**2946 Bailey Queen Upholstered Headboard Kit (x1)**  
**2949 Bailey King Upholstered Headboard Kit (x1)**

Part		Description	Quantity
A	29462201 (2946) 29492201 (2949)	Headboard Assembly 	1
ZB	9502361	#8 x 1-3/4" Pan Head Screw (inserted) 	4
ZG	9506661	5/16" x 14mm Insert Nut (inserted) 	4
ZU	9509243	Z Hex Wrench 5mm 	1
ZV	9505871	#14 x 1-1/4" Pan Head Screw 	6
ZW	9506121	18mm Washer 	6
ZX	9502211	#8 x 1-1/8" Lo-Profile Screw (inserted) 	18
ZY	9506372	5/16" x 13/16" Barrel Bolt 	4

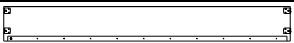

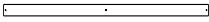
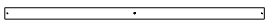

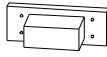

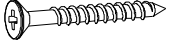
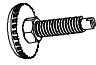
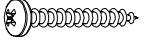
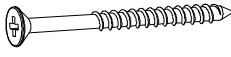


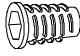

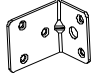

**2947 Bailey Queen Upholstered Footboard Kit (x1)**  
**2950 Bailey King Upholstered Footboard Kit (x1)**

Part		Description	Quantity
B	29472301 (2947) 29502301 (2950)	Footboard Assembly 	1
R	9502381	#8 x 1-1/4" Black Screw (inserted) 	4
ZG	9506661	5/16" x 14mm Insert Nut (inserted) 	4
ZM	9502311	#8 x 1" Pan Head Screw (inserted) 	14

**2945 Bailey Queen Upholstered Panel Bed**  
**2948 Bailey King Upholstered Panel Bed**  
**2955 Bailey Queen Upholstered Panel Storage Bed**  
**2956 Bailey King Upholstered Panel Storage Bed**  
*Parts List*

---


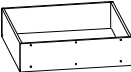









**2921a Bailey Queen Rail Kit (x1)**  
**2925a Bailey King Rail Kit (x1)**

Part	Description	Quantity	
		2921ALMa 2921NTMa 2921NATa	2925ALMa 2925NTMa 2925NATa
C	29215001 Side Rail 	2	2
D	33293001 Assembled Foot 	4	4
E	13472612 Queen Slat (60-5/8") 	5	0
F	12782611 King Slat (76-1/2") 	0	5
G	12832611 Cal-King Slat (72-1/4") 	0	0
H	20115361 Footboard Support Assembly 	1	1
O	9501841 #6 x 3/4" Philtruss Screw (inserted) 	24	24
R	9502381 #8 x 1-1/4" Black Screw 	10	10
ZL	9502201 Adjustable Glide with Hex Nut (installed) 	4	4
ZM	9502311 #8 x 1" Pan Head Screw 	16	16
ZN	9502401 #8 x 2" Black Screw (inserted) 	2	2
ZO	9503101 #10 x 2" Pan Head Screw 	27 (22 inserted)	27 (22 inserted)
ZP	9506211 1/4" T-Nut (inserted) 	5	5
ZQ	9506261 5/16" x 3/4" Insert Nut (inserted) 	4	4
ZS	9506521 1/4" x 45mm Hanger Bolt (inserted) 	4	4
ZT	9508985 #4730 L Bracket (attached) 	8	8
ZY	9506372 5/16" x 13/16" Barrel Bolt 	4	4

**2945 Bailey Queen Upholstered Panel Bed**  
**2948 Bailey King Upholstered Panel Bed**  
**2955 Bailey Queen Upholstered Panel Storage Bed**  
**2956 Bailey King Upholstered Panel Storage Bed**  
*Parts List*



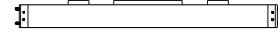



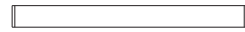
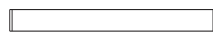
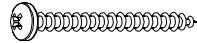
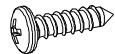

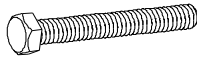
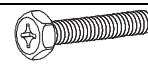

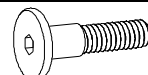



---

**2934 Bailey Queen Pedestal Kit (x2)**  
**2937 Bailey King Pedestal Kit (x2)**

Part	Description	Quantity
I	Pedestal 	1
J	33494401 Drawer Box (assembled) 	3
K	29342531 Drawer Face (attached) 	3
L	33499011 (2934) 29379011 (2937) Notched Deckboard (attached) 	1
M	33499001 (2934) 29379001 (2937) Left/Right Center Deckboard 	1
N	9501586 20" Drawer Slides (installed) 	3 sets
O	9501841 #6 x 3/4" Philtruss Screw (inserted) 	18
P	9502122 #6 x 1/2" Philtruss Screw (inserted) 	18
Q	9502331 #8 x 7/8" Black Lo-Profile Screw (inserted) 	18
R	9502381 #8 x 1-1/4" Black Screw (inserted) 	8
S	9502391 #8 x 1-5/8" Black Screw (inserted) 	24

**2945 Bailey Queen Upholstered Panel Bed**  
**2948 Bailey King Upholstered Panel Bed**  
**2955 Bailey Queen Upholstered Panel Storage Bed**  
**2956 Bailey King Upholstered Panel Storage Bed**  
*Parts List*

**2935 Queen Base Kit (x1)**  
**2938 King Base Kit (x1)**

Part	Description	Quantity	
		2935ALM 2935NTM 2935NAT	2938ALM 2938NTM 2938NAT
R	9502381 #8 x 1-1/4" Black Screw 	24	24
T	29351021 (2935) 29381021 (2938) Mitered End Support 	1	1
U	29351011 (2935) 29381011 (2938) Square End Support 	2	2
V	29355001 Left Support 	1	1
W	29355011 Right Support 	1	1
X	20212611 Queen Trestle Rail (15-1/8") 	4	0
Y	20242611 King Trestle Rail (31-1/4") 	0	4
ZA	20282611 Cal-King Trestle Rail (26-7/8") 	0	0
ZB	9502361 #8 x 1-3/4" Pan Head Screw (inserted) 	12	12
ZC	9502981 #10 x 3/4" Pan Head Screw (inserted) 	16	16
ZD	9506041 1/4" Flat Washer 	16	16
ZE	9506411 5/16" x 2-1/4" Hex Bolt 	6	6
ZF	9506651 5/16" x 35mm Hex Bolt 	10	10
ZG	9506661 5/16" x 14mm Insert Nut (inserted) 	18	18
ZH	9506781 5/16" x 38mm – 5mm Hex Bolt 	8	8
ZI	9508191 Wood Dowel (inserted) 	12	12
ZJ	9508831 Foot Bracket (attached) 	4	4
ZK	9508841 Adjustable Glide (installed) 	4	4

# 2955 Bailey Queen Upholstered Panel Storage Bed 2956 Bailey King Upholstered Panel Storage Bed

## Assembly Instructions

This assembly requires two people.

**Tool Included:** 5mm Z Hex wrench.

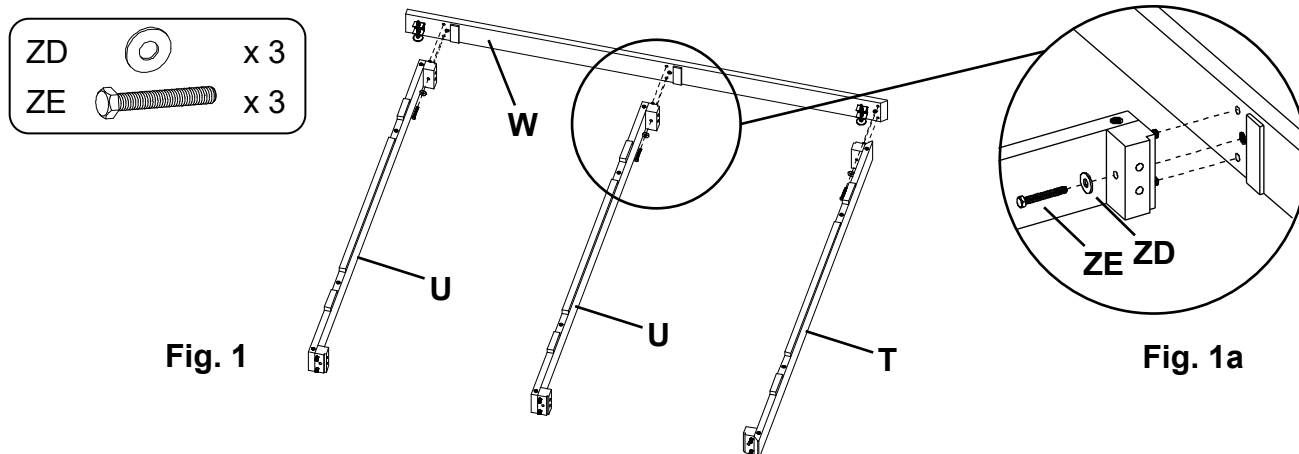
**Tools Required:** Phillips screwdriver, 1/2" open end or box end wrench, Drill, Phillips #2 drill bit.

**Notes:**

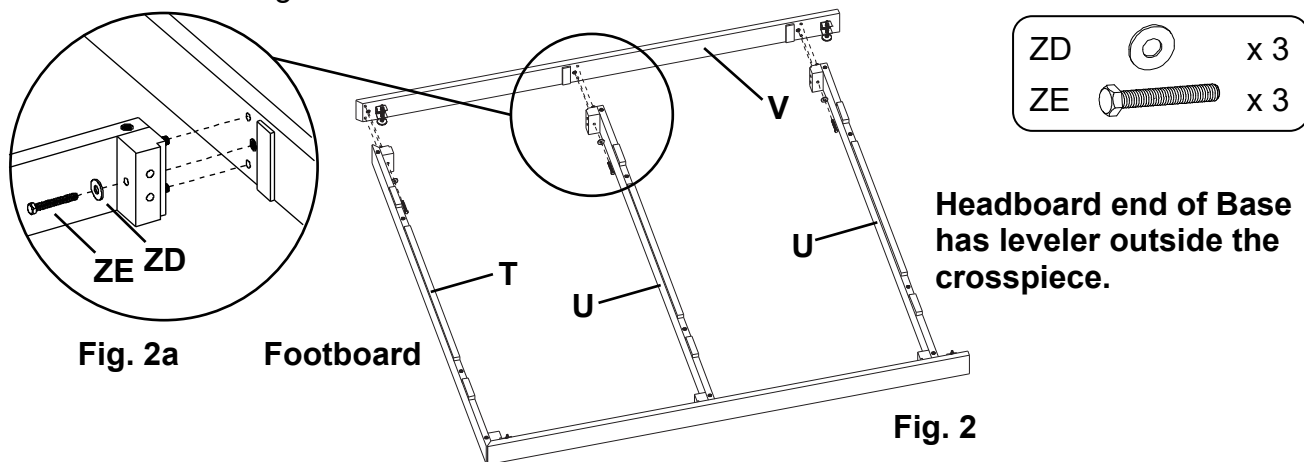
**Steps 1 through 10 are for the Bailey Queen Upholstered Panel Storage Bed (#2955) and Bailey King Upholstered Panel Storage Bed (#2956).**

**Steps 11 through 17 are for the Bailey Queen Upholstered Panel Bed (#2945), Bailey King Upholstered Panel Bed (#2948).**

1. Lay out and identify the parts from the Queen (#2935) or King (#2938) Base Kit. Set aside part Trestle Rail (X) (Queen) or Trestle Rail (Y) (King) for use later in the assembly process. Use the notch and dowels on Square End Support (U) and Mitered End Support (T) as guides and attach them to the Right Support (W) using the Hex Bolts (ZE) and Washers (ZD) from the Base Kit. See Figures 1 and 1a.



2. Attach the assembly to the Left Support (V) Using Hex Bolts (ZE) and Washers (ZD). See Figures 2 and 2a. Identify the Headboard end of the assembly and place near the final bed location. See drawing below.



# 2955 Bailey Queen Upholstered Panel Storage Bed 2956 Bailey King Upholstered Panel Storage Bed

## Assembly Instructions

This assembly requires two people.

3. Place each pedestal (I) on top of the base kit against the side of and between the locator blocks of the Base Kit. See Figure 3.

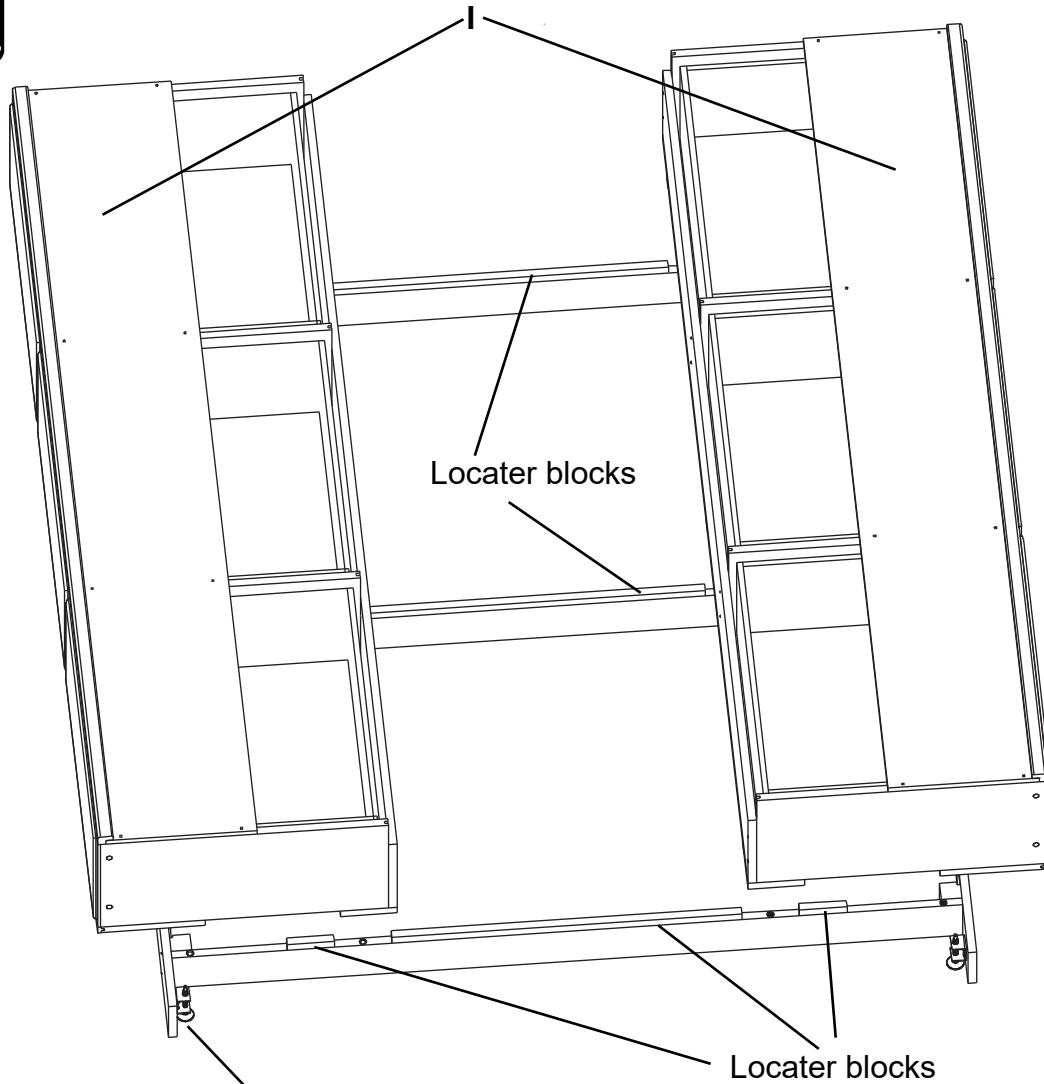


Fig. 3

Headboard end of Base has leveler outside the crosspiece.

# 2955 Bailey Queen Upholstered Panel Storage Bed 2956 Bailey King Upholstered Panel Storage Bed

## Assembly Instructions

This assembly requires two people.

4. Open the drawers and attach the pedestal to the base using Hex Bolts (ZF) and Washers (ZD) only finger tight. See Figures 4 and 4a.

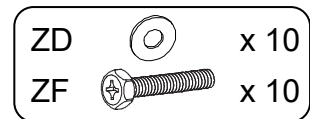
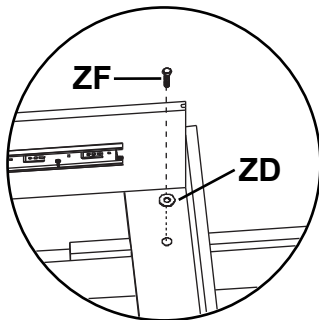


Fig. 4a

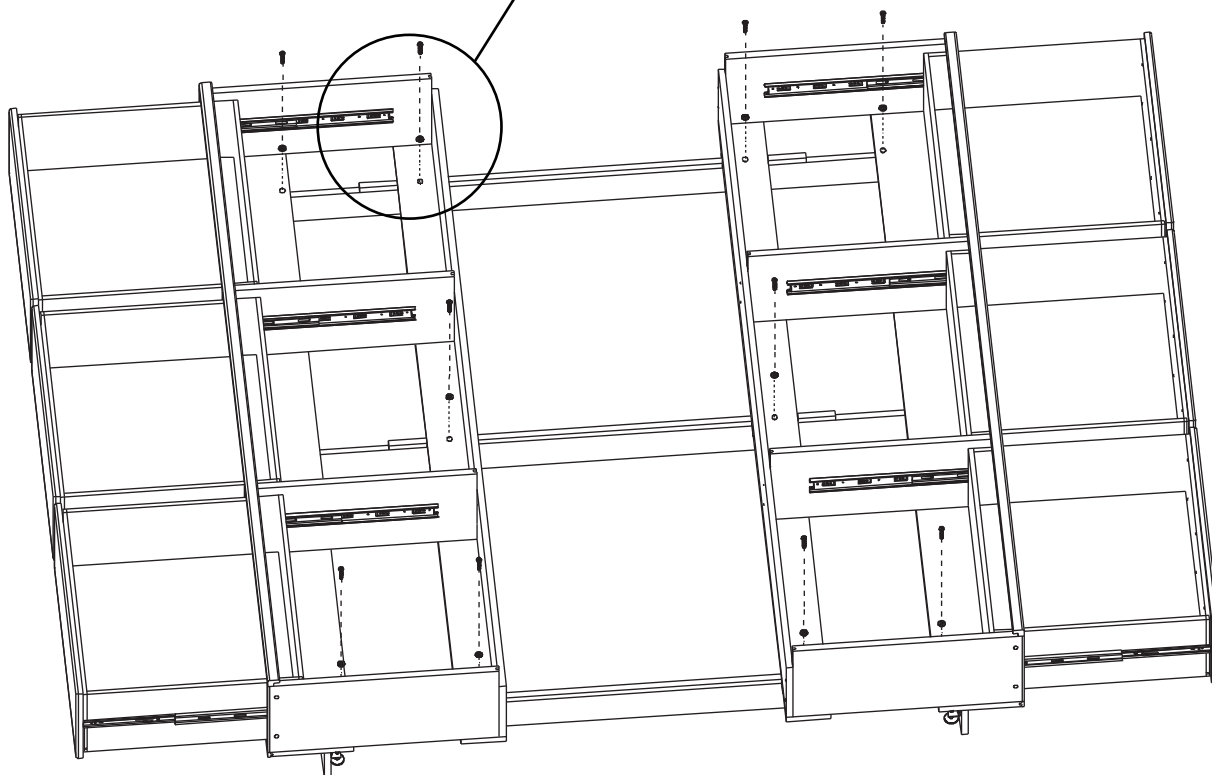


Fig. 4

**(Notched Deckboards removed for illustration purposes)**

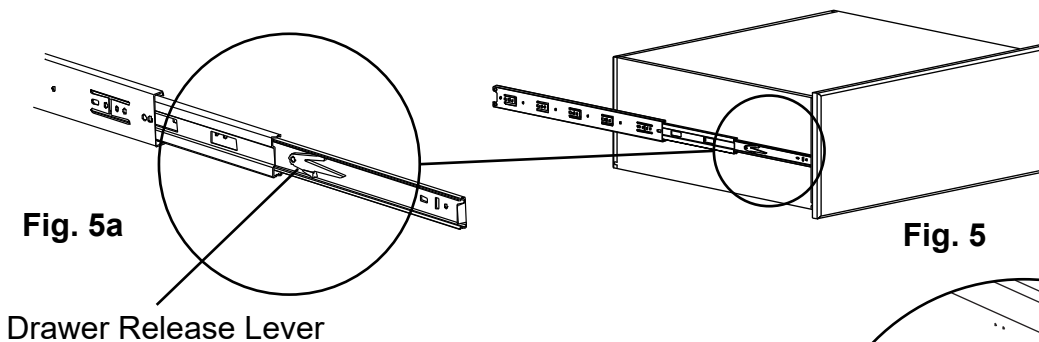
# 2955 Bailey Queen Upholstered Panel Storage Bed 2956 Bailey King Upholstered Panel Storage Bed

## Assembly Instructions

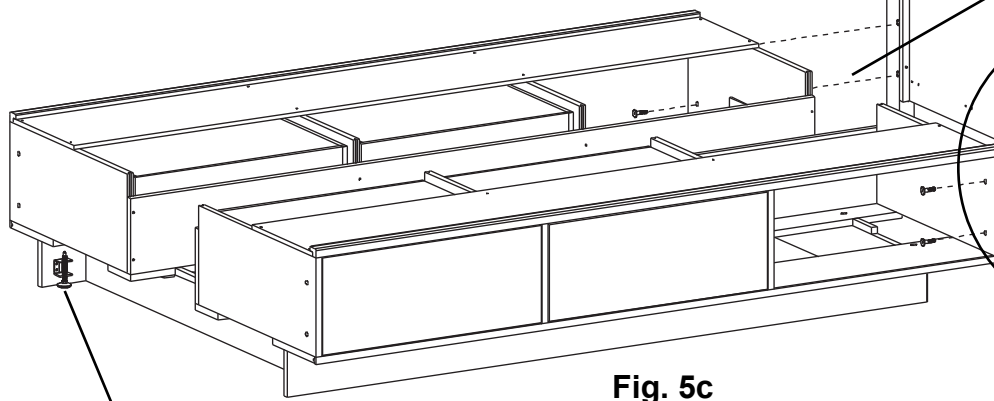
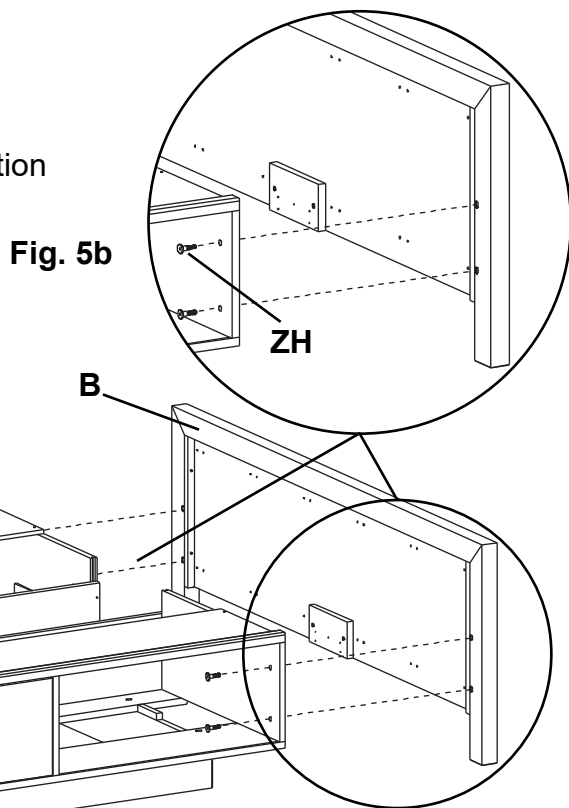
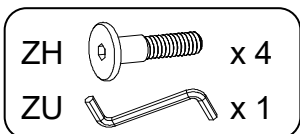
This assembly requires two people.

5. NOTE: When attaching the Footboard (B) to the Pedestal/Base assembly attach it at the end of the Base with the leveler behind the crosspiece.

There are two options to attach the Footboard (B) to the Pedestal Assembly. Option a) Release the two drawers (J) at the end of the assembly as shown in Fig. 5a. Open the Drawers (J) until the back edge of the drawer is even with the front of the Pedestal. Reach under the attached deckboard from the backside of the pedestal and use 5mm Hex Wrench (ZU) to insert Bolts (ZH) into the Footboard (B). Push the drawers closed. Option b) remove the two end drawers (K) completely. Use 5mm Hex Wrench (ZU) to insert the bolts into the Footboard and reinstall the drawers. See Fig. 5b, 5c.



Option 5b shown in illustration



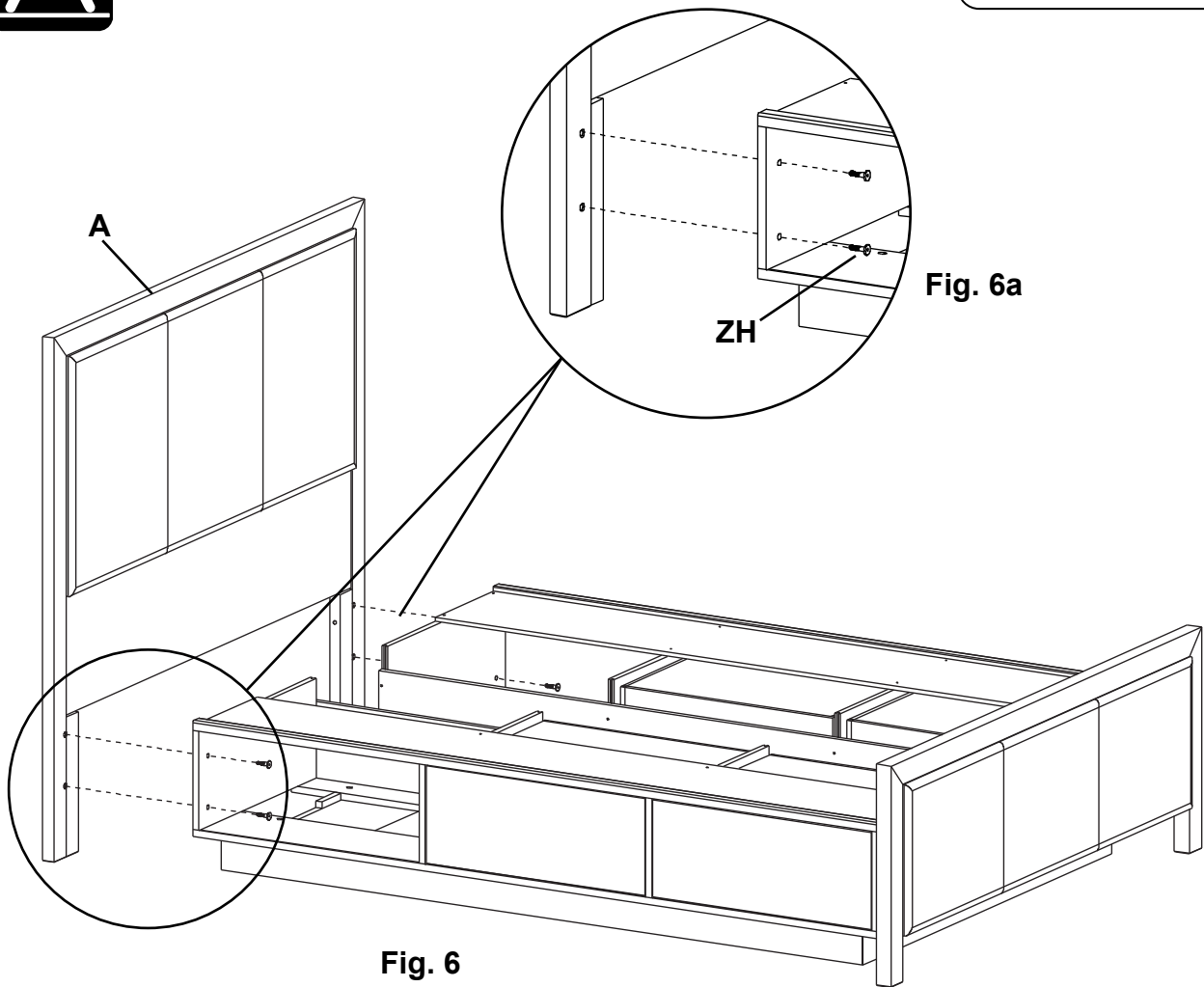
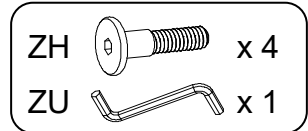
Headboard end of Base has leveler outside the crosspiece

# 2955 Bailey Queen Upholstered Panel Storage Bed 2956 Bailey King Upholstered Panel Storage Bed

## Assembly Instructions

This assembly requires two people.

6. Attach the Headboard (A) with Hex Bolts (ZH) using assembly option a) or b) from Step 5. See Figures 6 and 6a.

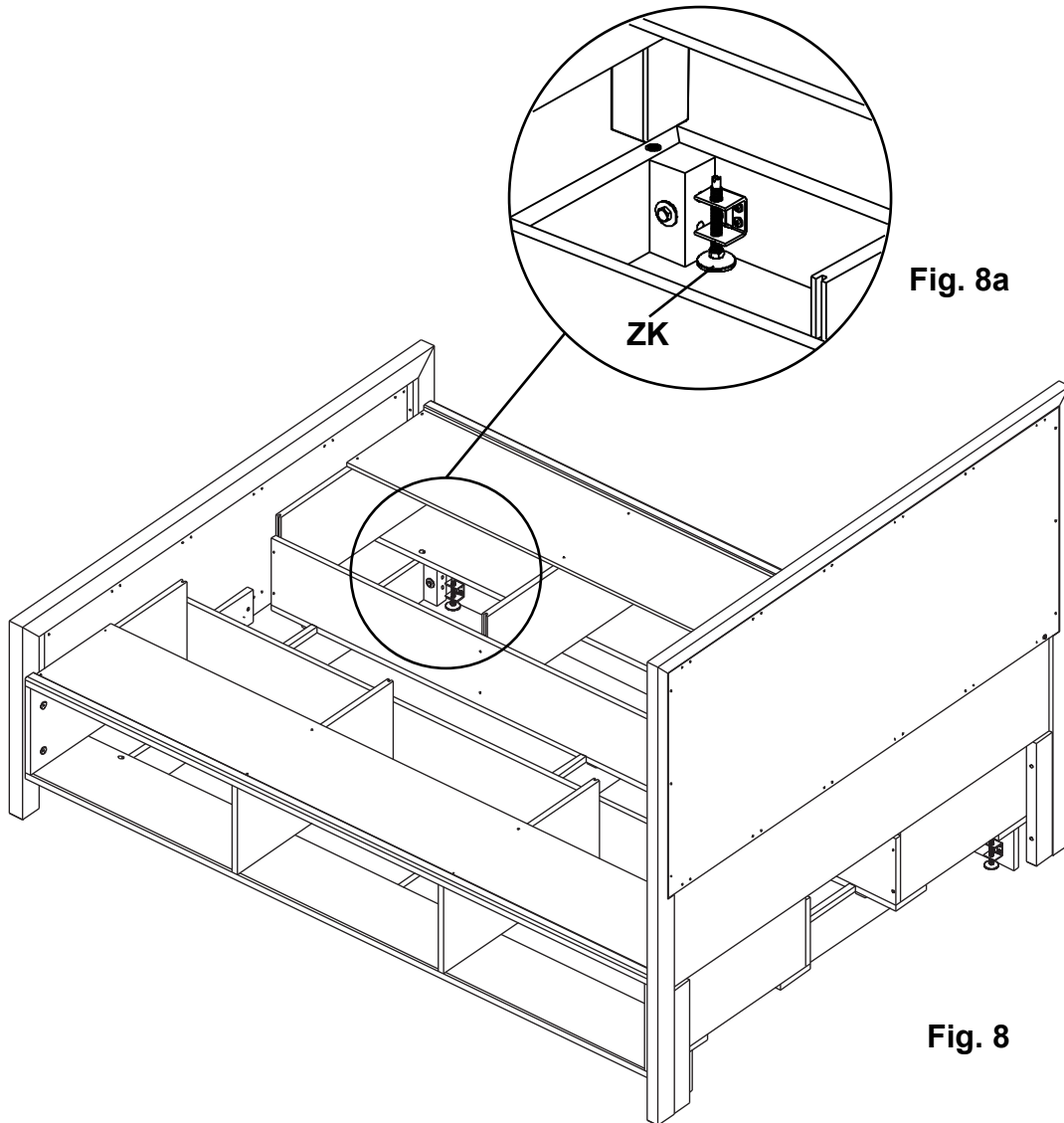


Option 5b shown in illustration

**2955 Bailey Queen Upholstered Panel Storage Bed**  
**2956 Bailey King Upholstered Panel Storage Bed**  
*Assembly Instructions*

This assembly requires two people.

7. Once the Headboard and Footboard are attached, open all drawers and tighten Hex Bolts (ZH) on the inside of the bed assembly.
8. Adjust levelers (ZK) only if floor is uneven or if bed has movement . See Figures 8 and 8a.

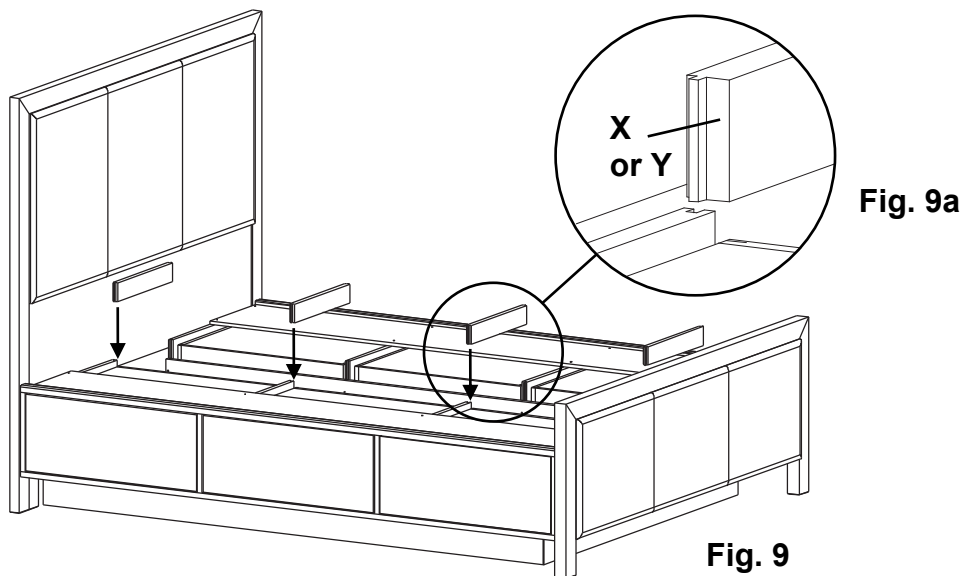


**(Drawers and Bottom Boards removed for illustration purposes)**

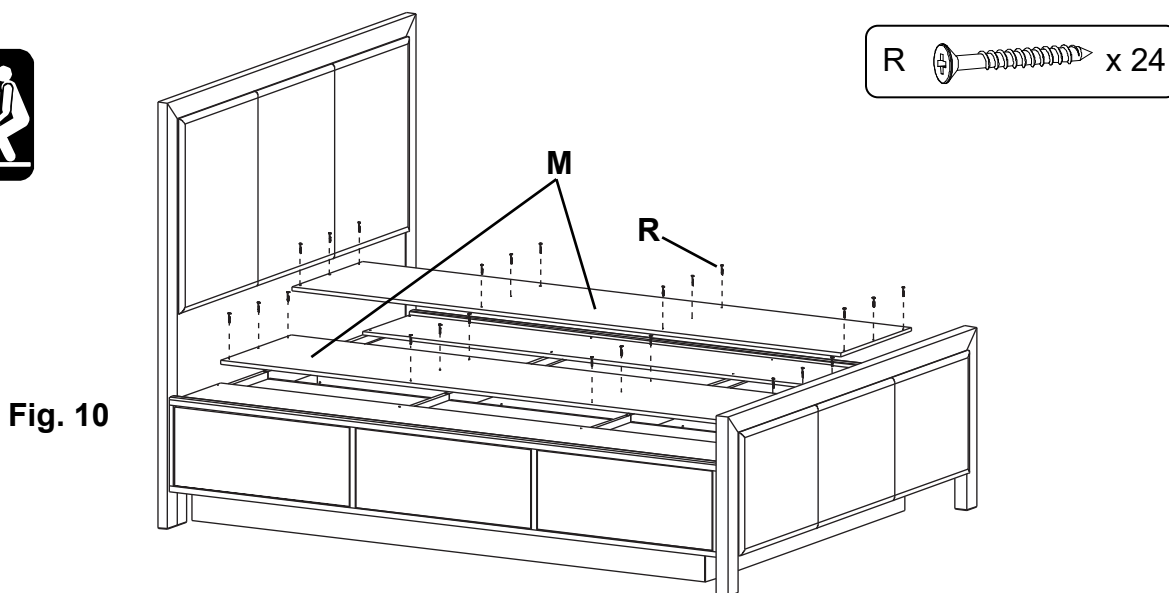
**2955 Bailey Queen Upholstered Panel Storage Bed**  
**2956 Bailey King Upholstered Panel Storage Bed**  
*Assembly Instructions*

This assembly requires two people.

9. Insert Queen Trestle Rail Supports (X) or King Trestle Rail Supports (Y). See Figures 9 and 9a.



10. Place the Left/Right Center Deckboards (M) as shown in Figure 10 and secure each deckboard with twelve #8x1-1/4" Black Screws (R). There should be a small gap between each deckboard. See Figure 10.



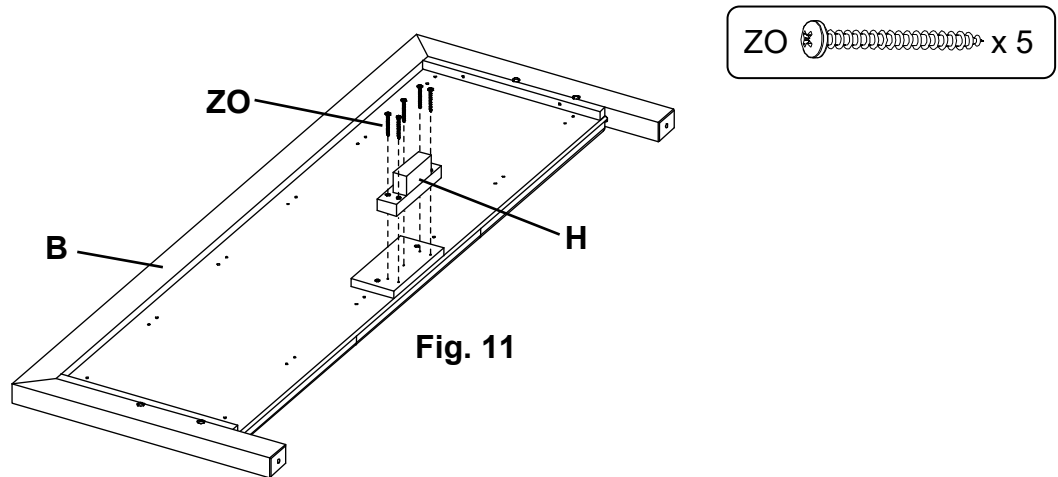
**This concludes the assembly process for Bailey Upholstered Panel Storage Bed, if you have purchased a Bailey Upholstered Panel Bed please refer to the instructions beginning on page 13.**

# 2945 Bailey Queen Upholstered Panel Bed 2948 Bailey King Upholstered Panel Bed Assembly Instructions

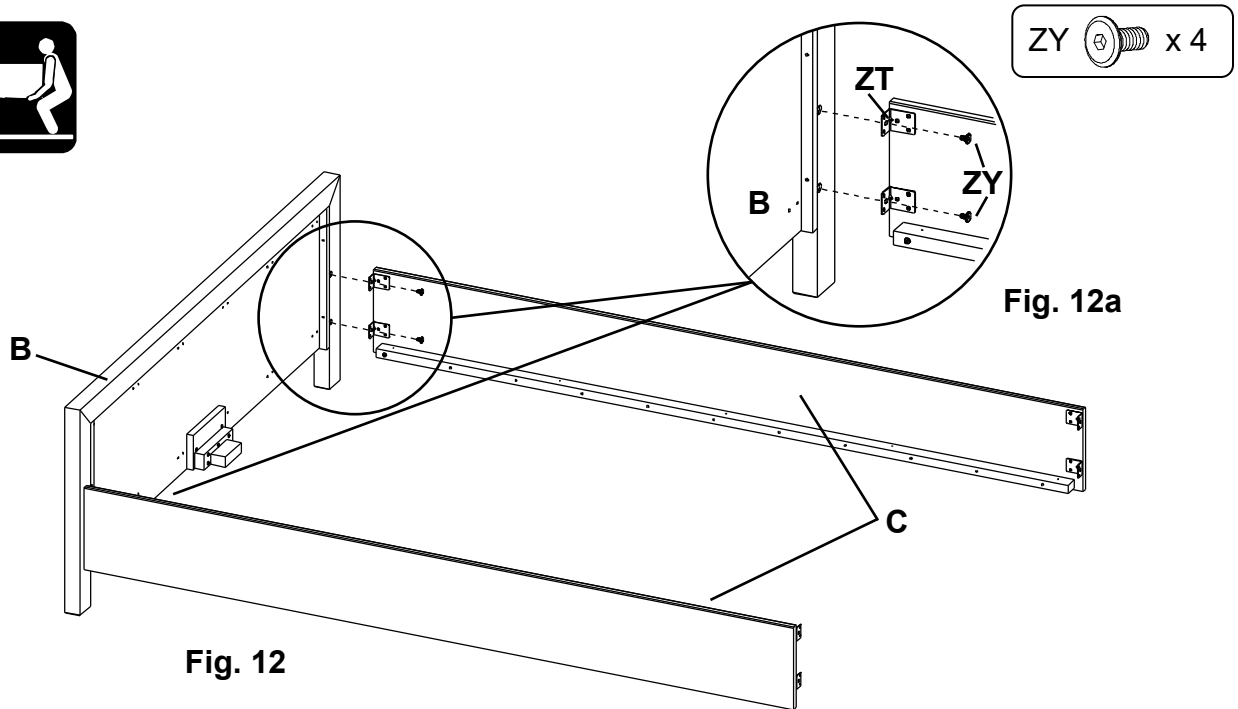
This assembly requires two people.

**11. Open the Rail Kit.**

Position the Footboard Support (H) over the block that is mounted onto back side of the Footboard (B) and attach with five #10 x 2" Pan Head Screws (ZO) through the predrilled holes in the slat supports and into the location punches on the block. See Figure 11.



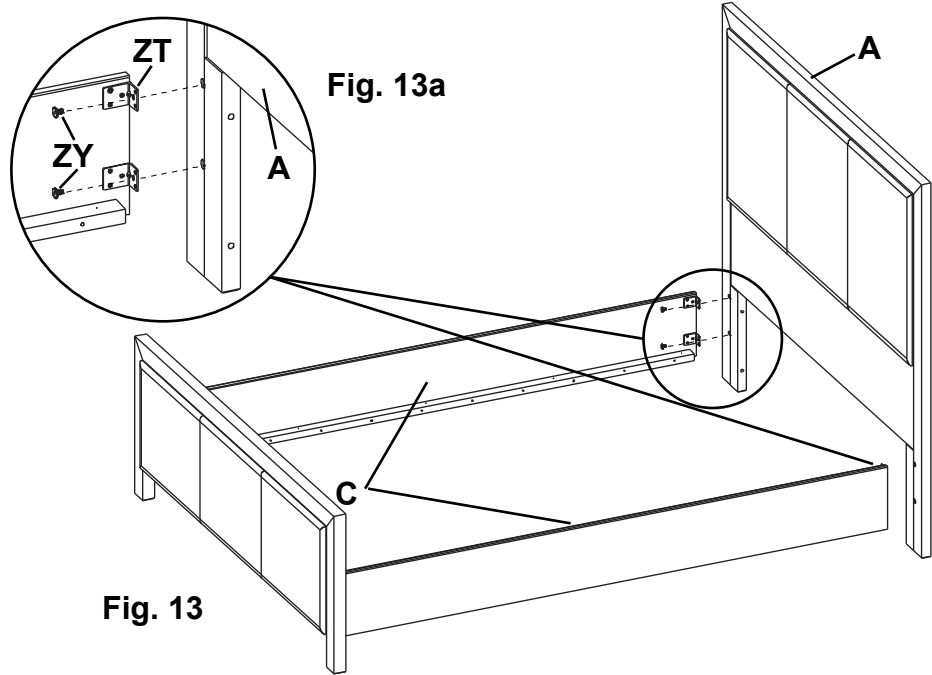
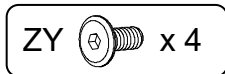
**12. To attach the Footboard (B) to the Side Rail (C), insert two 5/16" x 13/16" Barrel Bolts (ZY) through the Brackets (ZT) into Footboard predrilled holes (B) and securely fasten using the Hex Wrench (ZU) provided. Repeat for the other side. See Figures 12 and 12a.**



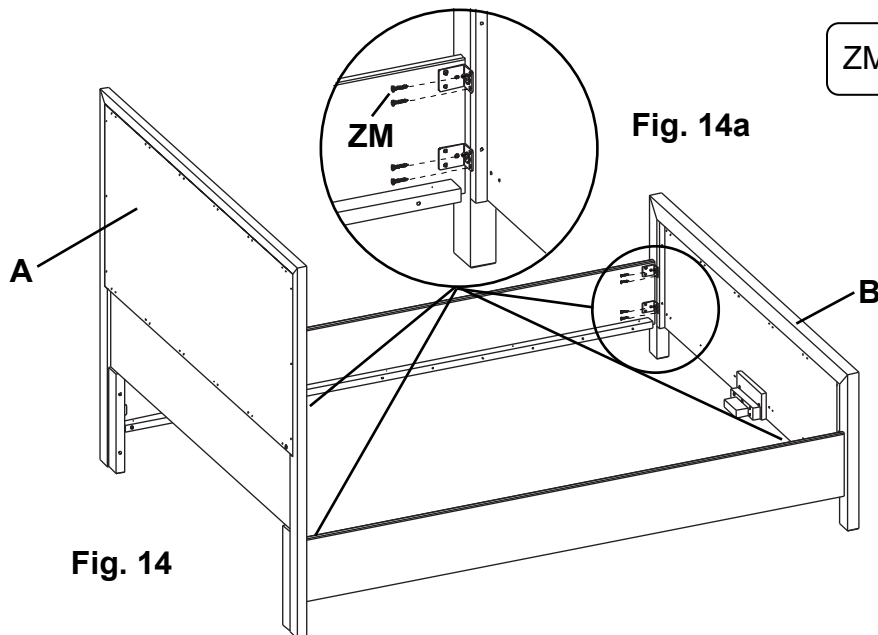
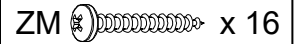
# 2945 Bailey Queen Upholstered Panel Bed 2948 Bailey King Upholstered Panel Bed Assembly Instructions

This assembly requires two people.

13. To attach the Headboard (A) to the Side Rail (C), insert two 5/16" x 13/16" Barrel Bolts (ZY) through the Brackets (ZT) into Headboard predrilled holes (A) and securely fasten. Repeat for the other side. See Figures 13 and 13a.



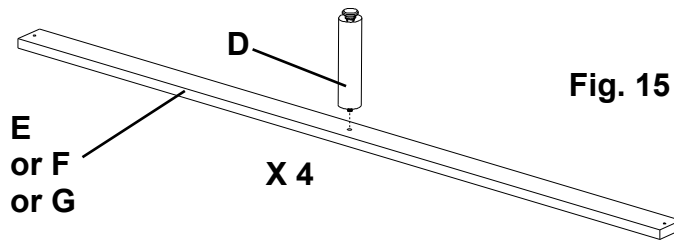
14. Insert four #8 x 1" Pan Head Screw (ZM) through the Brackets (ZT) into Headboard (A), Footboard (B) and securely fasten. Repeat for the other sides. See Figures 14 and 14a.



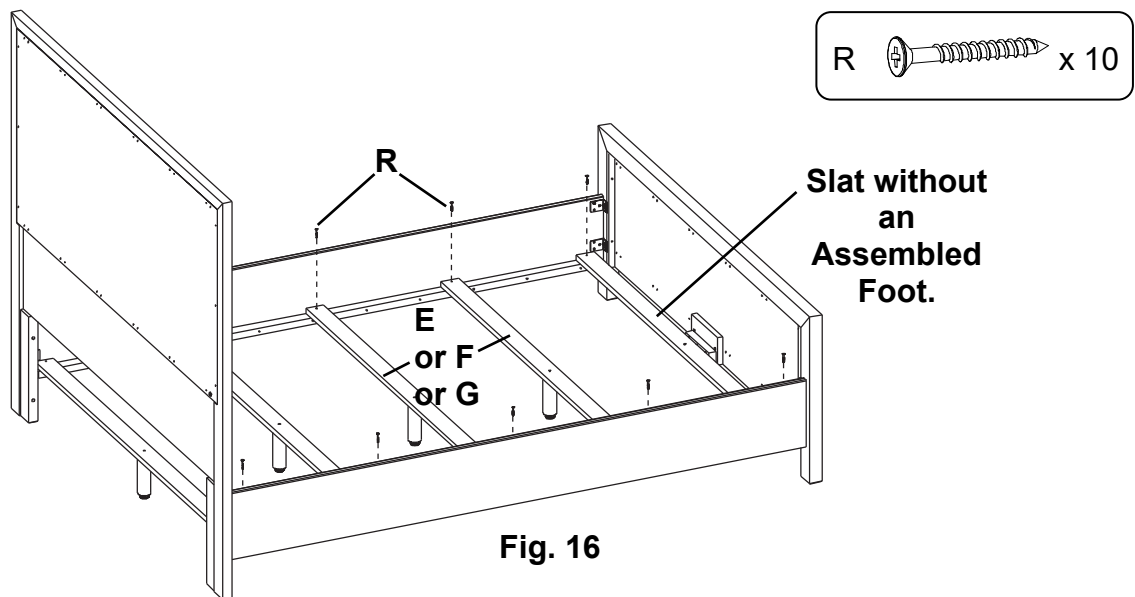
**2945 Bailey Queen Upholstered Panel Bed**  
**2948 Bailey King Upholstered Panel Bed**  
*Assembly Instructions*

This assembly requires two people.

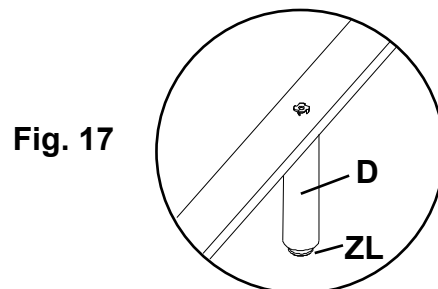
15. Attach an Assembled Foot (D) to four of the five Slats (E or F or G) as shown in Figure 15.



16. Move the bed assembly to its final position. Position the Slats (E or F or G) on the bottom edges of the rails and place the slat without the Assembled Foot nearest to the Footboard. Attach with #8 x 1-1/4" Black Screws (R). See Figure 16.



17. Adjust the Adjustable Glides with Hex Nut (ZL) on the Assembled Feet (D) so the Glides (ZL) touch the floor, making sure the Assembled Feet bear weight.



**if you are using a Hollywood Bed Frame, please refer to the instructions beginning on page 16**

# 2946 Bailey Queen Upholstered Panel Headboard 2949 Bailey King Upholstered Panel Headboard

## Assembly Instructions

This assembly requires two people.



18. Adjust the Hollywood frame to fit your mattress and box spring.
19. Place the Headboard against the end brackets of the Hollywood frame and mark the locations for the screws. Drill pilot holes approximately 1-1/4" deep into the Leg Support. To make sure you don't drill deeper, measure 1-1/4" up from the end of the drill bit and wrap a piece of tape around the bit. Stop drilling when the edge of the tape meets the wood.
20. Position the Headboard against the Hollywood frame and attach using six #14 x 1-1/4" Pan Head Screws (ZV) and six Washers (ZW).
21. Place your bed in its final position.



Fig. 21

