

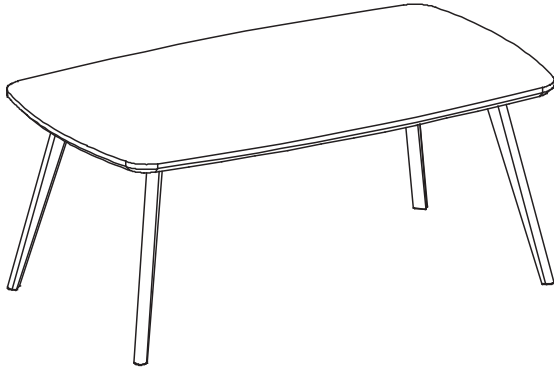
Model #

2910DUET

Addison Dining Table (42"x72")

DUET finish

Assembly Instructions



Thank you for allowing us to help you furnish your home. We are certain you will be delighted with your new furniture for many years to come.

IMPORTANT NOTES:

- Wood can be susceptible to changing color over time when exposed to strong sunlight. Use window shades, drapes or blinds to protect your furniture. To help the surface age evenly and avoid dark and light spots, periodically move items to expose the entire surface to an even amount of light so it may develop a uniform patina.
- For normal household use only. *Not* recommended for commercial use.
- Do not climb, sit or stand on this piece of furniture.
- Do not overload the drawer.
- Unload items before you move this unit.
- This assembly requires two people.

WARNING

Drilling, sawing, sanding or machining wood products can expose you to wood dust, a substance known to the state of California to cause cancer. Avoid inhaling wood dust or use a dust mask or other safeguards for personal protection.

For more information go to: www.p65warnings.ca.gov/wood

This product can expose you to chemicals, including formaldehyde, which are known to the State of California to cause cancer.

For more information go to: www.p65warnings.ca.gov/furniture

DESIGN SUBJECT TO CHANGE WITHOUT NOTICE.

CUSTOMER SERVICE

If you ever have questions about your furniture, please do not hesitate to contact us. In the unlikely event you need a replacement part; we can make those parts available through an authorized Whittier Wood Furniture dealer. If you cannot order replacement parts through your dealer, please contact our customer service department.

Hours: Our friendly customer service staff can be reached:

Monday-Friday 8:00 a.m. to 5:00 p.m. (Pacific Time).

You may leave a message 24 hours a day, seven days a week.

Customer Service: 800-653-3336 • **Outside the U.S.:** 541-687-0213

Fax: 541-687-2060 • **Email:** info@whittierwood.com

Whittier
Wood
FURNITURE

P.O. Box 2827
Eugene, OR 97402 USA

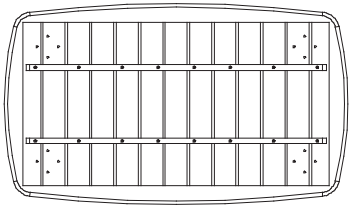

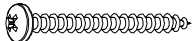


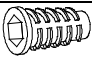


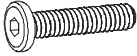
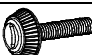


Production Code:

VN

03/26

2910DUET Addison Dining Table (42"x72") Parts List

Please identify the parts and check that quantities received match those on this list.
If you need to replace a part, refer to the following letter and part name.

Part		Description	Quantity
A	29108001	Top Assembly 	1
B	29103811	Leg Assembly 	4
C	9502361	#8 x 1-3/4" Pan Head Screw (inserted) 	16
D	9502401	#8 x 2" Black Screw (inserted) 	8
E	9506151	#8 Washer (inserted) 	16
F	9506501	1/4" x 20mm Insert Nut (inserted) 	4
G	9506661	5/16" x 14mm Insert Nut (inserted) 	16
H	9506675	Straight Hex Wrench 5mm (included) 	1
I	9506821	5/16" x 30mm Hex Bolt 	16
J	9508864	Slotted Leveler (installed) 	4
K	9509132	Leveler Adjustment Key (attached to Owners Manual) 	1
L	9509243	Z Hex Wrench 5mm (included) 	1

2910DUET Addison Dining Table (42"x72")

Assembly Instructions

Tools Provided: Z Hex Wrench 5mm, Straight Hex Wrench 5mm (use with drill/driver), Leveler Adjustment Key in the Zip bag taped to the Owner's Manual and Safety Guide.

1. Turn the Top Assembly (A) upside down on a clean, protected surface. See Figure 1.

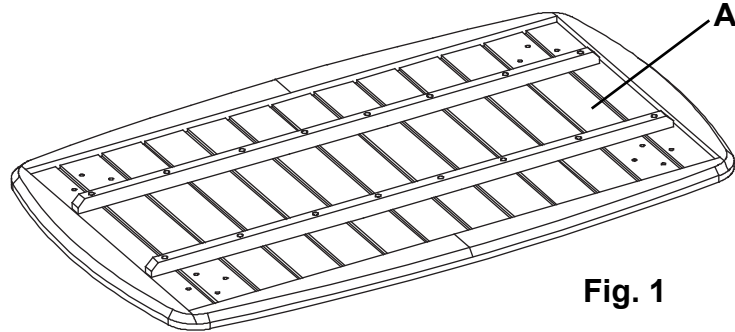


Fig. 1

2. Attach four Legs (B) to the Top Assembly (A) with sixteen 5/16" x 30mm Hex Bolts (I). See Figure 2.

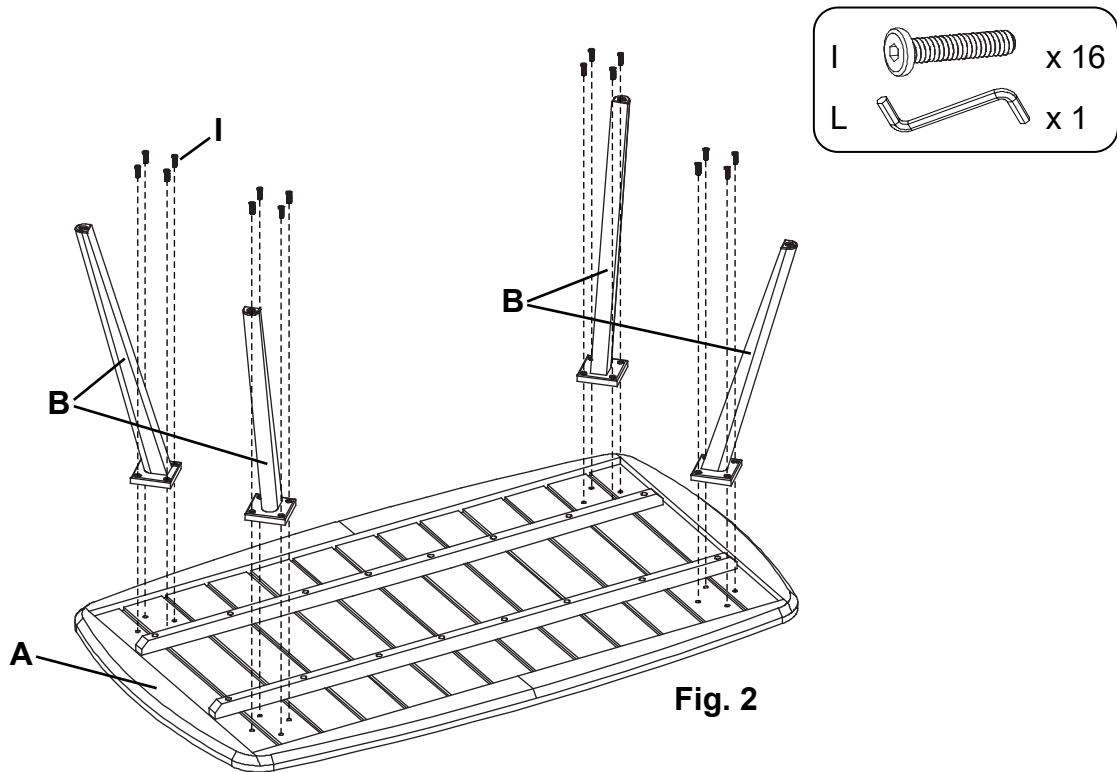


Fig. 2

2910DUET Addison Dining Table (42"x72")

Assembly Instructions

3. Turn the table upright. Place the table at its final destination. Use the Leveler Adjustment Key (K), found in the Zip bag taped to the Owner's Manual and Safety Guide to rotate the Slotted Levelers (J) on the bottoms of the legs until the unit is level. See Figures 3 and 3a.

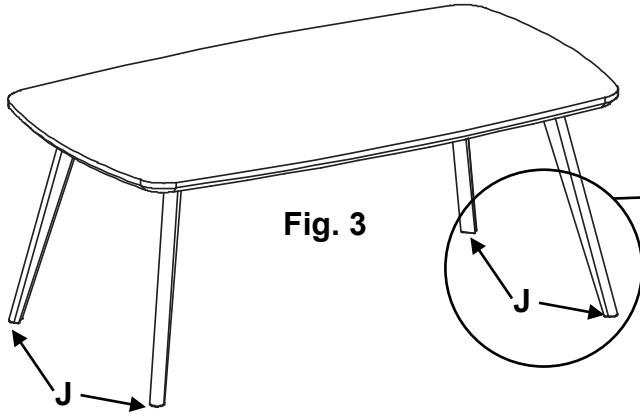


Fig. 3

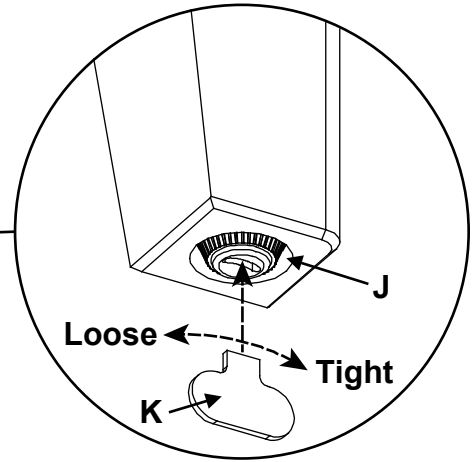


Fig. 3a