

Assembly Instructions

Model #

McKenzie Grand Beds

GAC = Glazed Antique Cherry finish

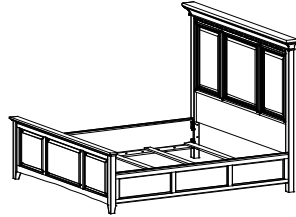
JAV = Java finish

FST = Fieldstone finish

PEC = Pecan finish

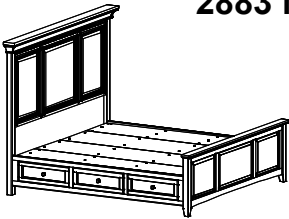
2872 McKenzie Queen Grand Bed

2875 McKenzie King Grand Bed



2882 McKenzie Queen Grand Storage Bed

2883 McKenzie King Grand Storage Bed



Thank you for allowing us to help you furnish your home. We are certain you will be delighted with your new furniture for many years to come.

IMPORTANT NOTES:

- For normal household use only. *Not* recommended for commercial use.
- Remove items before you move this unit.
- Do not overload the drawers.
- This assembly requires two people.

WARNING

Drilling, sawing, sanding or machining wood products can expose you to wood dust, a substance known to the state of California to cause cancer. Avoid inhaling wood dust or use a dust mask or other safeguards for personal protection.

For more information go to: www.p65warnings.ca.gov/wood

This product can expose you to chemicals, including formaldehyde, which are known to the State of California to cause cancer.

For more information go to: www.p65warnings.ca.gov/furniture

DESIGN SUBJECT TO CHANGE WITHOUT NOTICE.

- Storage Bed Instructions pgs 6-14
- Rail Bed Instructions pgs 15-17

CUSTOMER SERVICE

If you ever have questions about your furniture, please do not hesitate to contact us. In the unlikely event you need a replacement part; we can make those parts available through an authorized Whittier Wood Furniture dealer. If you cannot order replacement parts through your dealer, please contact our customer service department.

Hours: Our friendly customer service staff can be reached:

Monday-Friday 8:00 a.m. to 5:00 p.m. (Pacific Time).

You may leave a message 24 hours a day, seven days a week.

Customer Service: 800-653-3336 • **Outside the U.S.:** 541-687-0213

Fax: 541-687-2060 • **Email:** info@whittierwood.com

**Whittier
Wood**
FURNITURE

P.O. Box 2827
Eugene, OR 97402 USA

Production Code:

VN

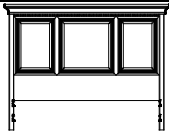



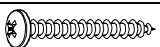
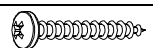
11/23

**2872 McKenzie Queen Grand Bed; 2875 McKenzie King Grand Bed
2882 McKenzie Queen Grand Storage Bed; 2883 McKenzie King Grand Storage Bed**
Parts List

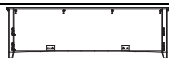

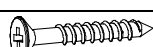


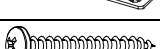
Please note this Assembly Instruction is for McKenzie Grand Beds (#2872 Queen and #2875 King), and McKenzie Grand Storage Beds (#2882 Queen and #2883 King). The Parts Lists for each component follow.

Please identify the parts and check that quantities received match those on this list. If you need to replace a part, refer to the finish name, following letter and part name.

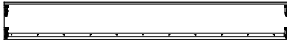

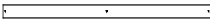
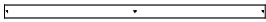







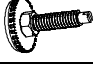


**2873 McKenzie Queen Grand Headboard Kit (x1)
2876 McKenzie King Grand Headboard Kit (x1)**

| Part | Description | | Quantity |
|------|---------------------------------------|---|----------|
| A | Headboard Assembly |  | 1 |
| W | #8 x 1" Black Screw (inserted) |  | 12 |
| ZE | Small Left Bed Bracket (attached) |  | 2 |
| ZF | Small Right Bed Bracket (attached) |  | 2 |
| ZJ | #8 x 1-1/4" Pan Head Screw (inserted) |  | 4 |
| ZO | #8 x 1" Pan Head Screw (inserted) |  | 24 |

**2874 McKenzie Queen Grand Footboard Kit (x1)
2877 McKenzie King Grand Footboard Kit (x1)**

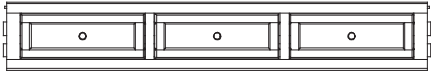
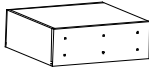

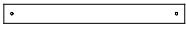
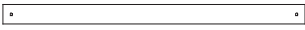


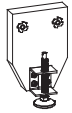






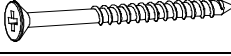
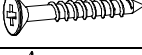

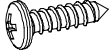


| Part | Description | | Quantity |
|------|---------------------------------------|---|----------|
| B | Footboard Assembly |  | 1 |
| U | #8 x 1-5/8" Black Screw (inserted) |  | 4 |
| W | #8 x 1" Black Screw (inserted) |  | 12 |
| ZE | Small Left Bed Bracket (attached) |  | 2 |
| ZF | Small Right Bed Bracket (attached) |  | 2 |
| ZJ | #8 x 1-1/4" Pan Head Screw (inserted) |  | 4 |

2808 McKenzie Queen Classic Rail Kit (x1) 2812 McKenzie King Classic Rail Kit (x1)







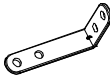
| Part | Description | Quantity | |
|------|--|--|--|
| | | 2808GAC 2808JAV 2808FST 2808PEC | 2812GAC 2812JAV 2812FST 2812PEC |
| C | Side Rail  | 2 | 2 |
| D | Assembled Foot  | 4 | 4 |
| E | Queen Slat (60-5/8")  | 5 | 0 |
| F | King Slat (76-1/2")  | 0 | 5 |
| G | Footboard Support Assembly  | 2 | 2 |
| T | #8 x 1-1/4" Black Screw  | 10 | 10 |
| W | #8 x 1" Black Screw (inserted)  | 24 | 24 |
| ZB | 1/4" T-Nut (inserted)  | 5 | 5 |
| ZE | Small Left Bed Bracket (attached)  | 4 | 4 |
| ZF | Small Right Bed Bracket (attached)  | 4 | 4 |
| ZK | #10 x 2" Pan Head Screw  | 26 (22 inserted) | 26 (22 inserted) |
| ZL | Adjustable Glide with Hex Nut (installed)  | 4 | 4 |
| ZM | 5/16" x 3/4" Insert Nut (inserted)  | 4 | 4 |
| ZN | 1/4" x 45mm Hanger Bolt (inserted)  | 4 | 4 |

**2872 McKenzie Queen Grand Bed; 2875 McKenzie King Grand Bed
2882 McKenzie Queen Grand Storage Bed; 2883 McKenzie King Grand Storage Bed**
Parts List

**2820 McKenzie Queen Pedestal Kit (x2)
2822 McKenzie King Pedestal Kit (x2)**

| Part | Description | Quantity | |
|------|---|--|--|
| | | 2820GAC 2820JAV 2820FST 2820PEC | 2822GAC 2822JAV 2822FST 2822PEC |
| H | Pedestal  | 1 | 1 |
| I | Drawer Box (assembled)  | 3 | 3 |
| J | Drawer Face (attached)  | 3 | 3 |
| K | Queen Trestle With T-Nuts (24-3/8")  | 2 | 0 |
| L | King Trestle With T-Nuts (40-1/2")  | 0 | 2 |
| M | Notched Deckboard (attached)  | 1 | 1 |
| N | Left/Right Center Deckboard  | 1 | 1 |
| O | Assembled Foot  | 3 | 3 |
| P | 20" Drawer Slides (installed)  | 3 sets | 3 sets |
| Q | #6 x 3/4" Philtruss Screw (inserted)  | 18 | 18 |
| R | #6 x 1/2" Philtruss Screw  | 22 (18 inserted) | 22 (18 inserted) |
| S | #8 x 7/8" Black Lo-Profile Screw (inserted)  | 18 | 18 |
| T | #8 x 1-1/4" Black Screw  | 16 (8 inserted) | 16 (8 inserted) |
| U | #8 x 1-5/8" Black Screw (inserted)  | 16 | 16 |
| V | #8 x 2" Black Screw (inserted)  | 12 | 12 |
| W | #8 x 1" Black Screw (inserted)  | 32 | 32 |
| X | #8 x 1-1/2" Machine Screw Tuscan (installed)  | 3 | 3 |
| Y | #10 x 3/4" Pan Head Screw (inserted)  | 12 | 12 |
| ZA | 18mm Flat Washer  | 10 | 10 |
| ZB | 1/4" T-Nut (inserted)  | 10 | 10 |

**2872 McKenzie Queen Grand Bed; 2875 McKenzie King Grand Bed
 2882 McKenzie Queen Grand Storage Bed; 2883 McKenzie King Grand Storage Bed
 Parts List**

| Part | Description | Quantity | |
|------|---|--|--|
| | | 2820GAC 2820JAV 2820FST 2820PEC | 2822GAC 2822JAV 2822FST 2822PEC |
| ZC | 1/4" x 1-1/2" Hex Bolt  | 10 | 10 |
| ZD | Knob (attached)  | 3 | 3 |
| ZE | Small Left Bed Bracket (attached)  | 2 | 2 |
| ZF | Small Right Bed Bracket (attached)  | 2 | 2 |
| ZG | Foot Bracket (attached)  | 3 | 3 |
| ZH | Adjustable Glide (installed)  | 3 | 3 |
| ZI | 90° Bracket  | 1 | 1 |

**2872 McKenzie Queen Grand Bed; 2875 McKenzie King Grand Bed
2882 McKenzie Queen Grand Storage Bed; 2883 McKenzie King Grand Storage Bed
Assembly Instructions**

This assembly requires two people.

Tool Included: 5mm Z Hex wrench.

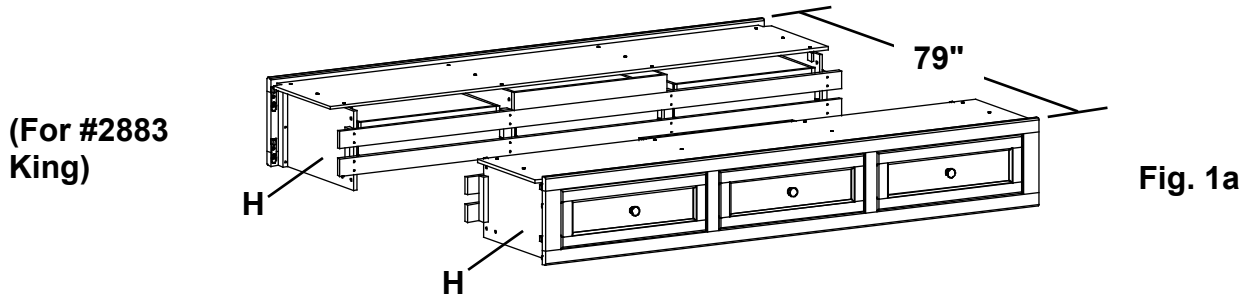
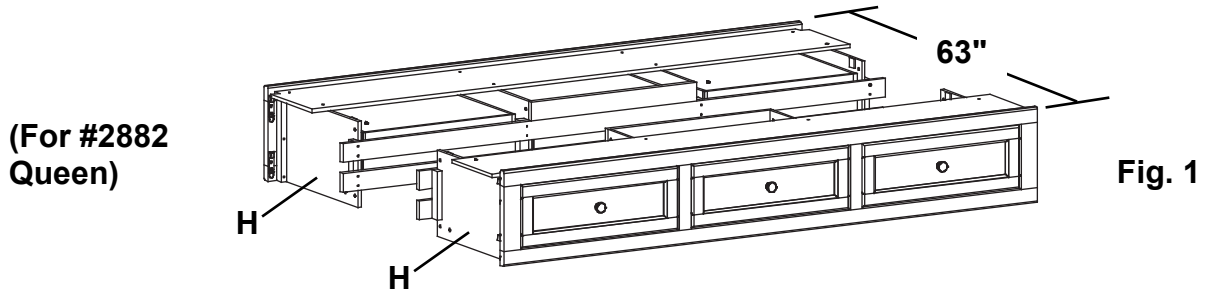
Tools Required: Phillips screwdriver, 1/2" open end or box end wrench.

Notes:

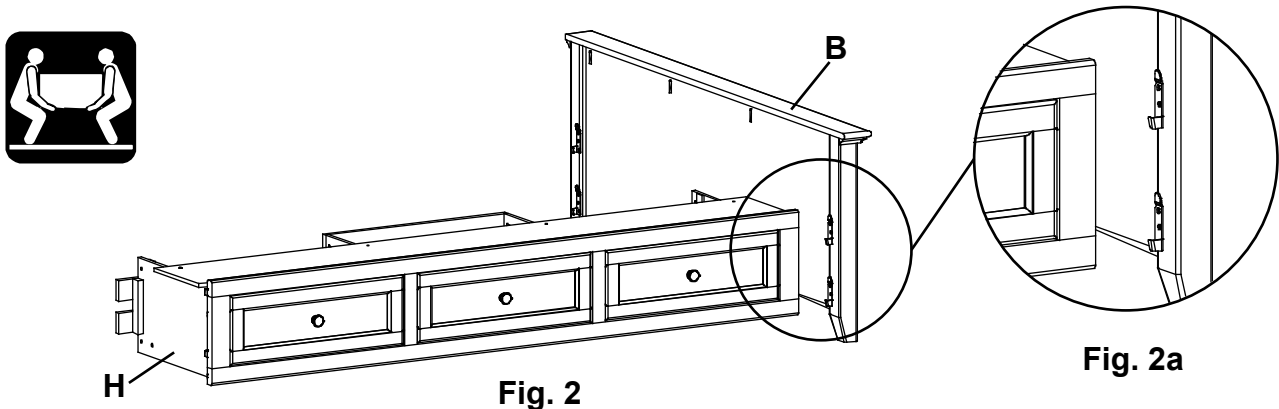
Steps 1 through 11 are for the McKenzie Queen Grand Storage Bed (#2882) and McKenzie King Grand Storage Bed (#2883).

Steps 12 through 18 are for the McKenzie Queen Grand Bed (#2872) and McKenzie King Grand Bed (#2875).

1. Place both Pedestals (H) approximately 63" apart for #2882 Queen Bed, or 79" apart for #2883 King Bed as shown in Figures 1 and 1a.



2. To attach the Footboard (B) to the Pedestal (H), align the Brackets and slide the Pedestal down on to the Footboard (B). See Figures 2 and 2a.



**2872 McKenzie Queen Grand Bed; 2875 McKenzie King Grand Bed
2882 McKenzie Queen Grand Storage Bed; 2883 McKenzie King Grand Storage Bed**
Assembly Instructions

This assembly requires two people.

3. Repeat step three for the left side. See Figures 3 and 3a.

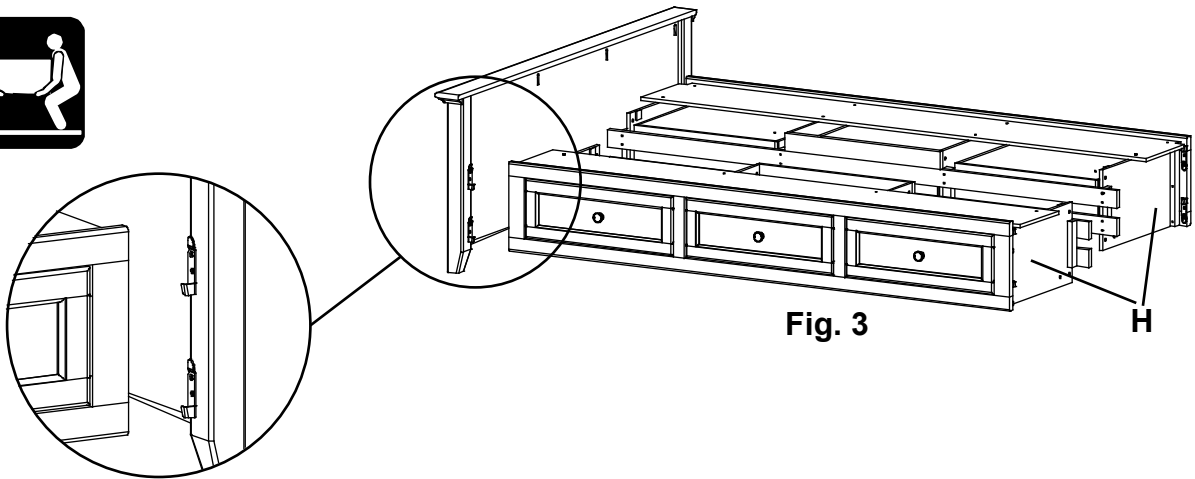


Fig. 3

Fig. 3a

4. Align the Brackets on both sides and slide the Pedestal/Footboard assembly down on to the Headboard (A). See Figure 4.

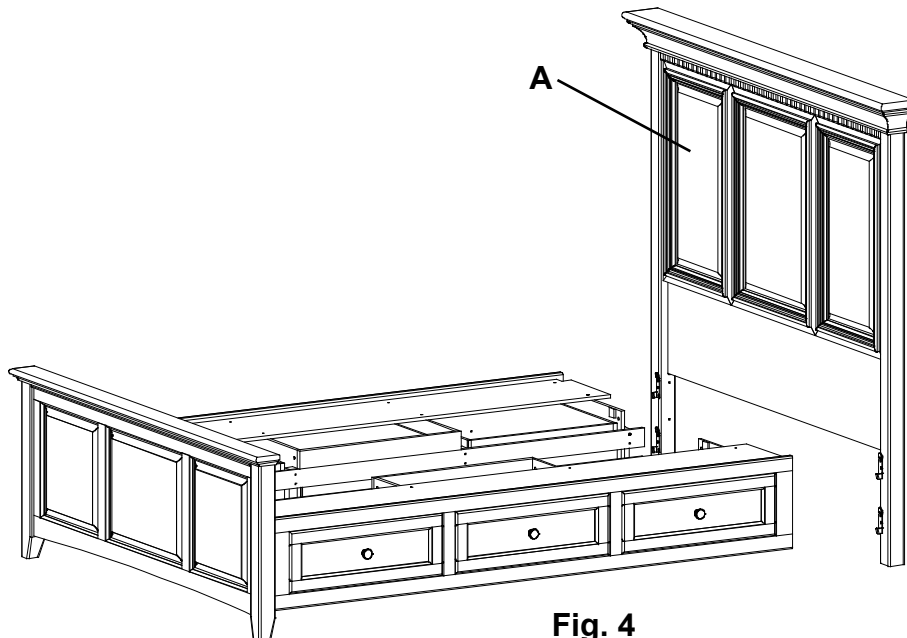


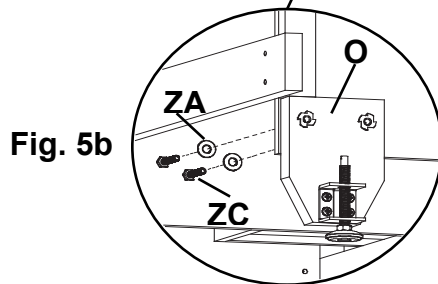
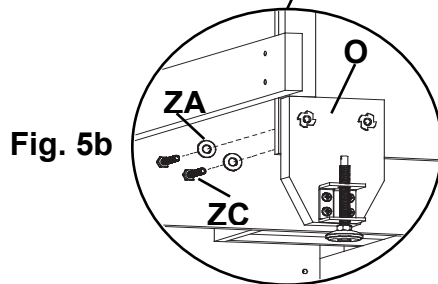
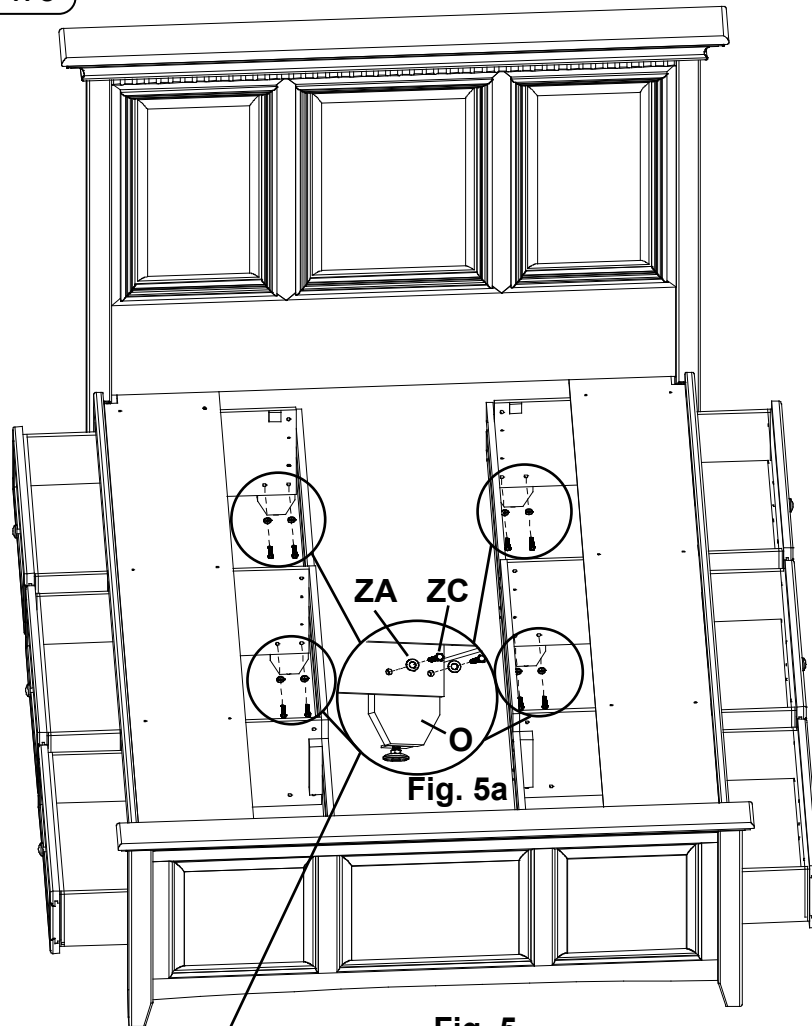
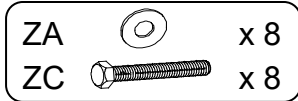
Fig. 4

**2872 McKenzie Queen Grand Bed; 2875 McKenzie King Grand Bed
2882 McKenzie Queen Grand Storage Bed; 2883 McKenzie King Grand Storage Bed**
Assembly Instructions

This assembly requires two people.

5. Open all six drawers and face the headboard. Place and align over the predrilled holes an assembled foot (O) on the backside of the first and second braces nearest the headboard. Attach by inserting 1/4" x 1-1/2" hex bolts (ZC) and washers (ZA). See figures 5, 5a and 5b.

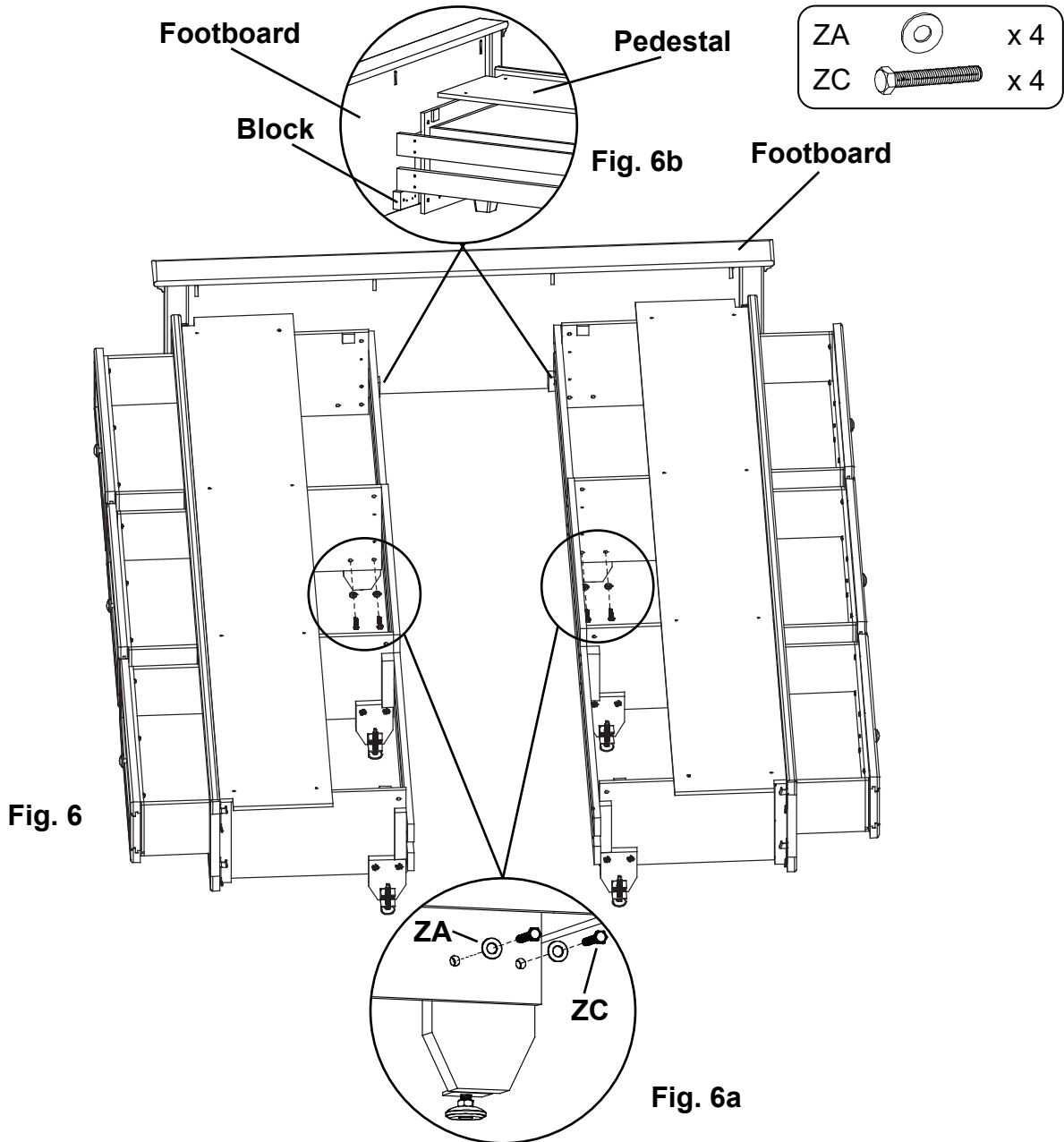
IMPORTANT: Make sure glides touch the floor and carry weight.



**2872 McKenzie Queen Grand Bed; 2875 McKenzie King Grand Bed
2882 McKenzie Queen Grand Storage Bed; 2883 McKenzie King Grand Storage Bed
Assembly Instructions**

This assembly requires two people.

6. Face the footboard. Do not attach assembled feet to the braces nearest the footboard. There are blocks on the backside of the footboard to support the drawer pedestals. Place and align over the predrilled holes in the brace an assembled foot (O) on the backside of the third brace. Attach by inserting 1/4" x 1-1/2" hex bolts (ZC) and washers (ZA). See figures 6, 6a and 6b.



Headboard removed for illustration purposes.

**2872 McKenzie Queen Grand Bed; 2875 McKenzie King Grand Bed
2882 McKenzie Queen Grand Storage Bed; 2883 McKenzie King Grand Storage Bed
Assembly Instructions**

This assembly requires two people.

7. Open the drawers. Face the Footboard and stand in between the first and second braces. Place a Trestle with T-Nuts (K or L or ZP) on the outside surfaces of the first upper left and right braces so that the T-Nuts (ZB) sit near the top. See Figure 7a. Line up the upper edges of the trestle and braces so they are nearly flush. Insert two 1/4" x 1-1/2" Hex Bolts (ZC) and Washers (ZA) and tighten. Repeat for the second upper brace. See Figures 7 and 7a.

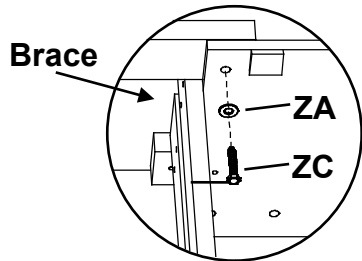




Fig. 7a

| | | |
|----|---|-----|
| ZA |  | x 4 |
| ZC |  | x 4 |

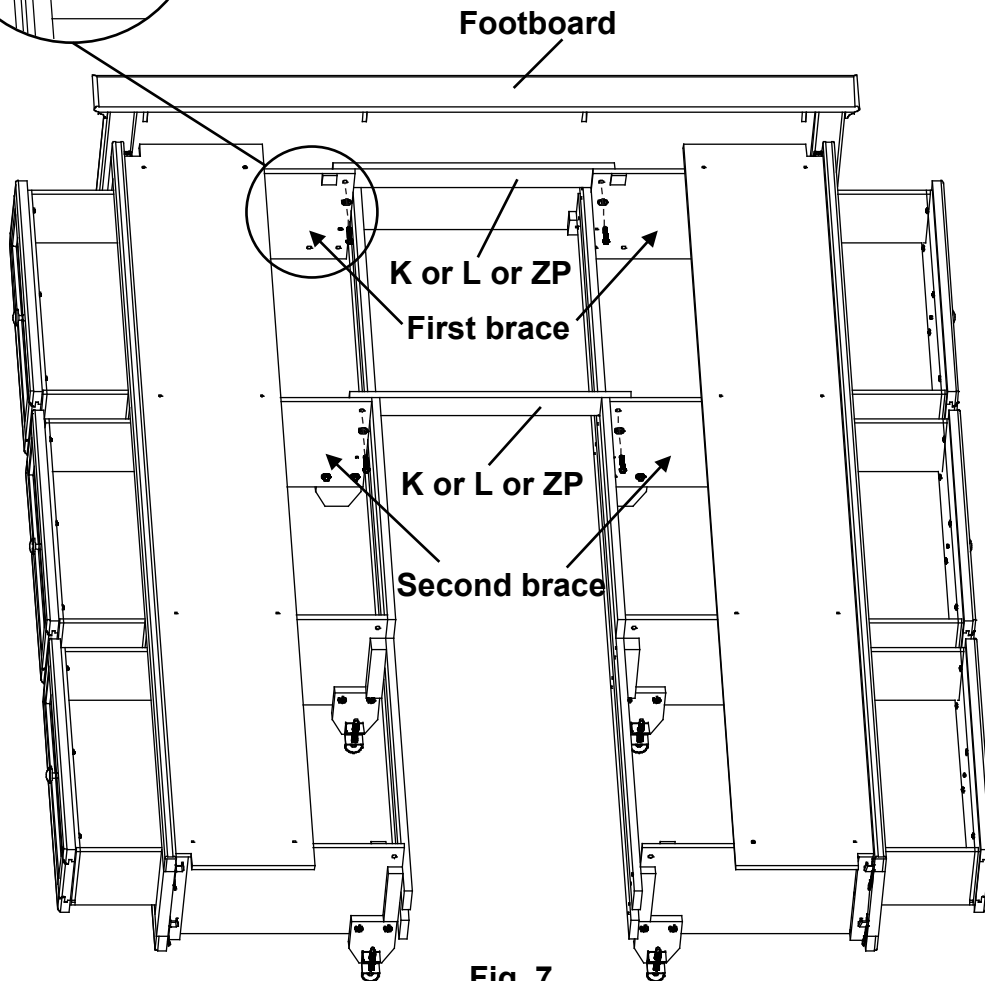


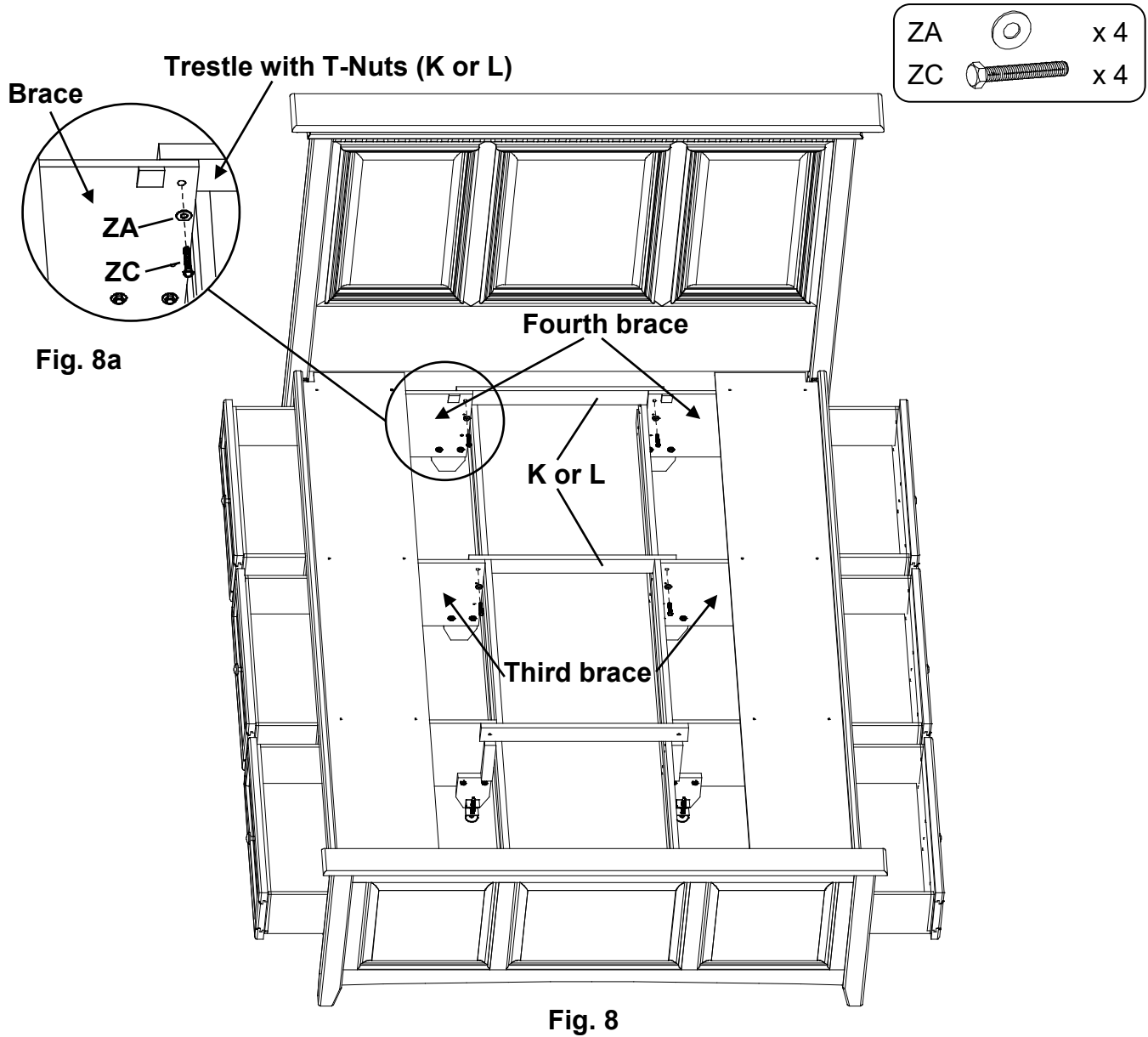
Fig. 7

Headboard removed for illustration purposes.

**2872 McKenzie Queen Grand Bed; 2875 McKenzie King Grand Bed
 2882 McKenzie Queen Grand Storage Bed; 2883 McKenzie King Grand Storage Bed
 Assembly Instructions**

This assembly requires two people.

8. Face the Headboard and stand in between the third and fourth braces. Place a Trestle with T-Nuts (K or L) on the outside surfaces of the third **upper** left and right braces so the T-nuts sit near the top. See Figures 8 and 8a. Line up the upper edges of the trestle and braces so they are nearly flush. Insert two 1/4" x 1-1/2" Hex Bolts (ZC) and Washers (ZA) and tighten. Repeat for the fourth braces.



**2872 McKenzie Queen Grand Bed; 2875 McKenzie King Grand Bed
2882 McKenzie Queen Grand Storage Bed; 2883 McKenzie King Grand Storage Bed**
Assembly Instructions

This assembly requires two people.

9. Facing the Footboard, attach the Pedestal Assembly to the Footboard with a 90° Bracket (Z1) and four #6 x 1/2" Philtruss Screws (R). Repeat for the other side. See Figures 9 and 9a.

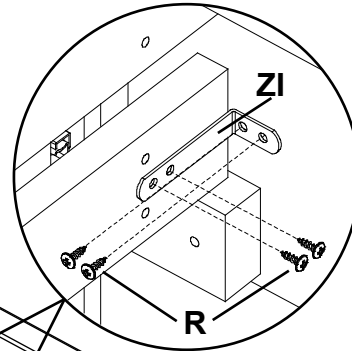
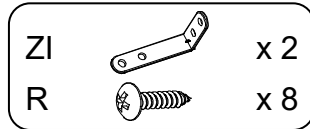


Fig. 9a

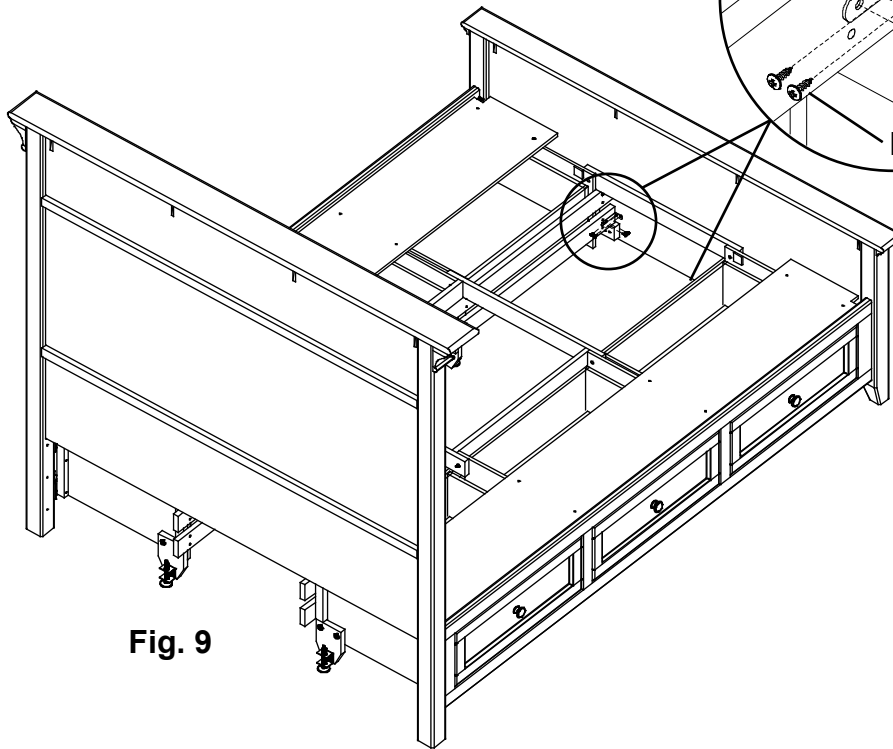


Fig. 9

**2872 McKenzie Queen Grand Bed; 2875 McKenzie King Grand Bed
2882 McKenzie Queen Grand Storage Bed; 2883 McKenzie King Grand Storage Bed**
Assembly Instructions

This assembly requires two people.

10. To make sure the bed is square, measure the distance between opposing corners. If one of the measurements is larger, tap on a footboard leg until the measurement is equal. See Figure 10.

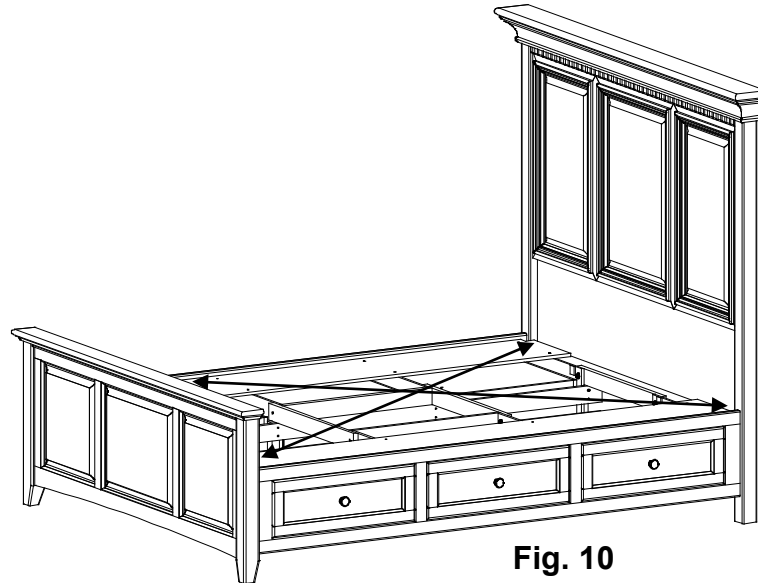


Fig. 10

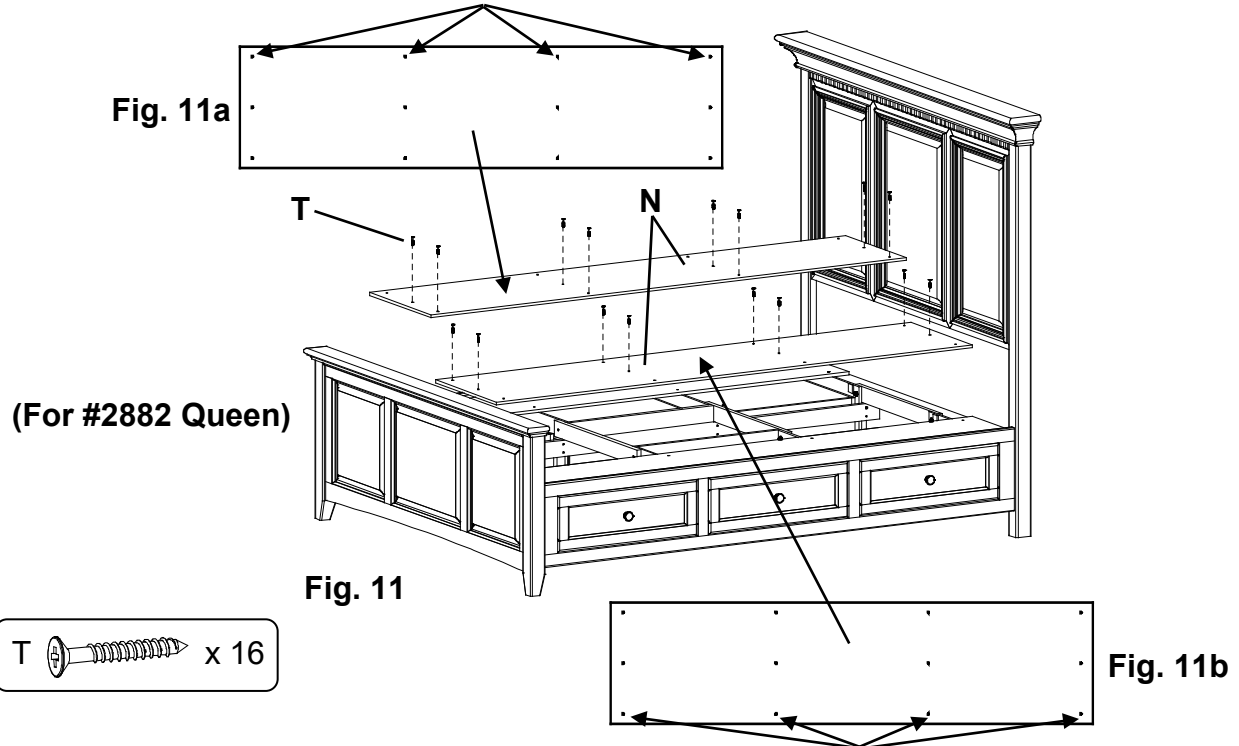
Continued on Page 14

**2872 McKenzie Queen Grand Bed; 2875 McKenzie King Grand Bed
2882 McKenzie Queen Grand Storage Bed; 2883 McKenzie King Grand Storage Bed
Assembly Instructions**

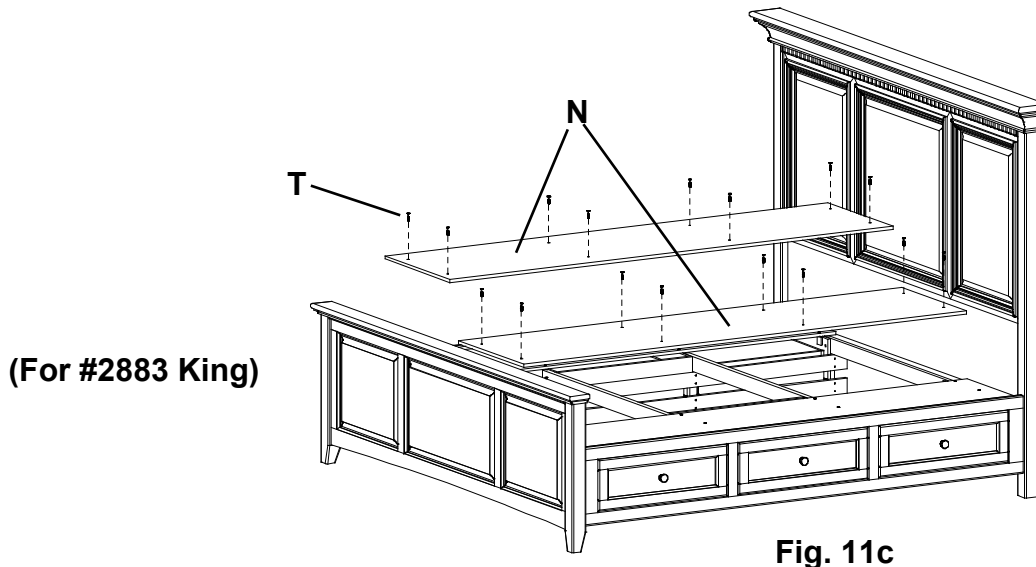
This assembly requires two people.

11. Place the Left/Right Center Deckboards (N) as shown in Figures 11, 11a, 11b and 11c and secure with eight #8x1-1/4" Black Screws (T). There should be a small gap between each deckboard.

Do not use the outer column of screw holes to attach the deck boards



Do not use the outer column of screw holes to attach the deck boards



This concludes the assembly process for McKenzie Grand Storage Bed, if you have purchased a McKenzie Grand Bed please refer to the instructions beginning on page 15.

**2872 McKenzie Queen Grand Bed; 2875 McKenzie King Grand Bed
2882 McKenzie Queen Grand Storage Bed; 2883 McKenzie King Grand Storage Bed**
Assembly Instructions

This assembly requires two people.

12. Position the Footboard Supports (G) over the blocks that are mounted onto the back side of the Footboard (B) and attach with four #10 x 2" Pan Head Screws (ZK) through the pre-drilled holes in the slat supports and into the location punches on the blocks. See Figure 12.

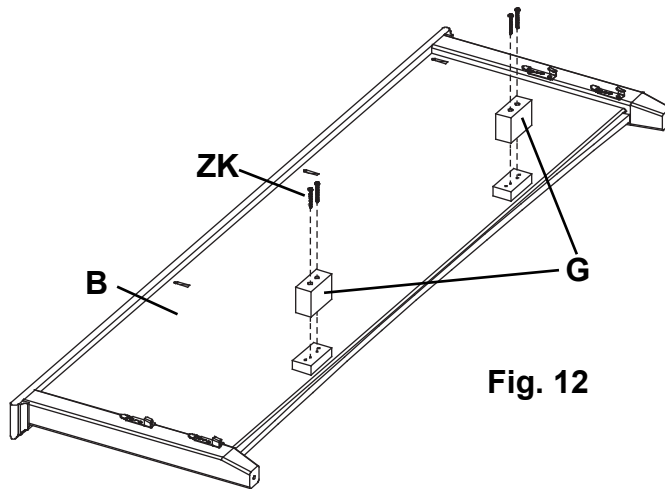


Fig. 12

13. To attach the Footboard (B) to the Side Rail (C), align the Brackets and slide the Side Rail (C) down on to the Footboard (B). See Figures 13 and 13a.



Fig. 13a

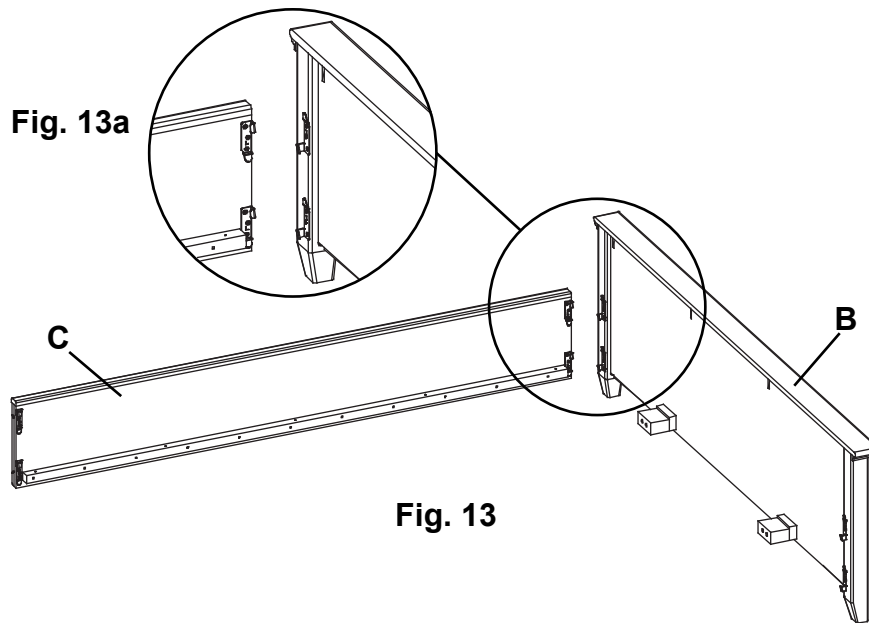


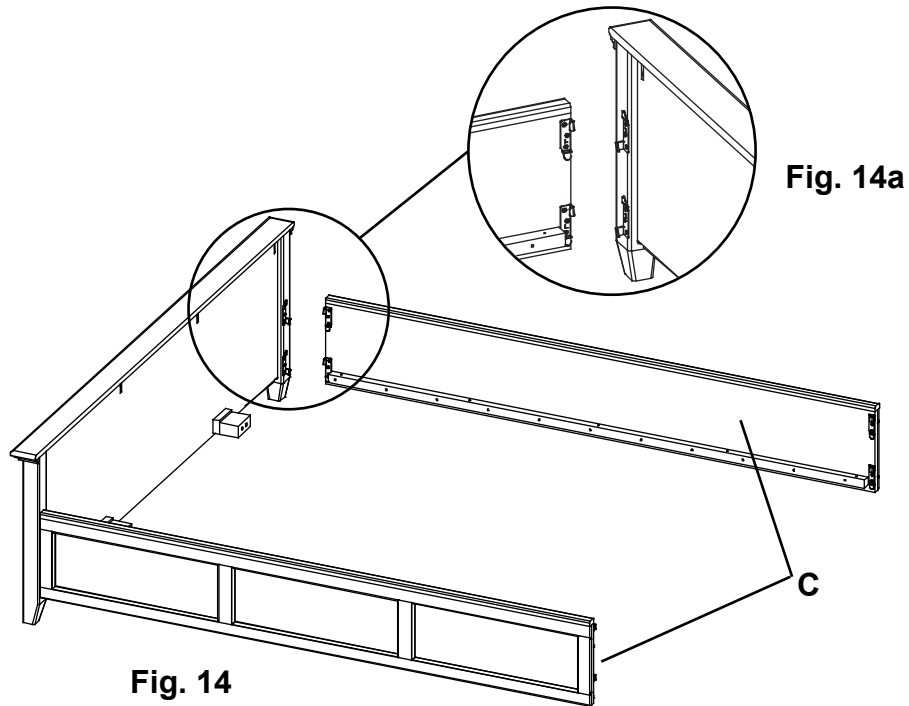
Fig. 13

2872 McKenzie Queen Grand Bed; 2875 McKenzie King Grand Bed
2882 McKenzie Queen Grand Storage Bed; 2883 McKenzie King Grand Storage Bed

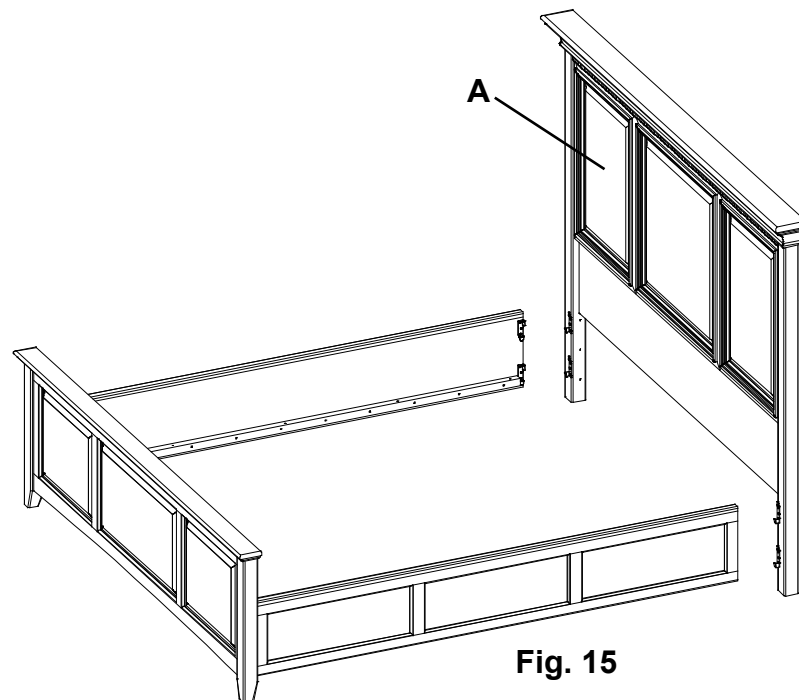
Assembly Instructions

This assembly requires two people.

14. Repeat step two for the other side. See Figures 14 and 14a.



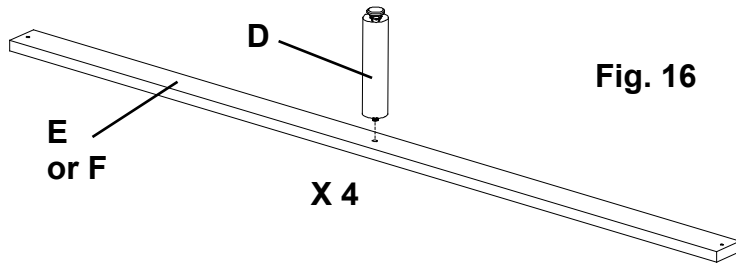
15. Align the Brackets on both sides and slide the Side Rail/Footboard assembly down on to the Headboard (A). See Figure 15.



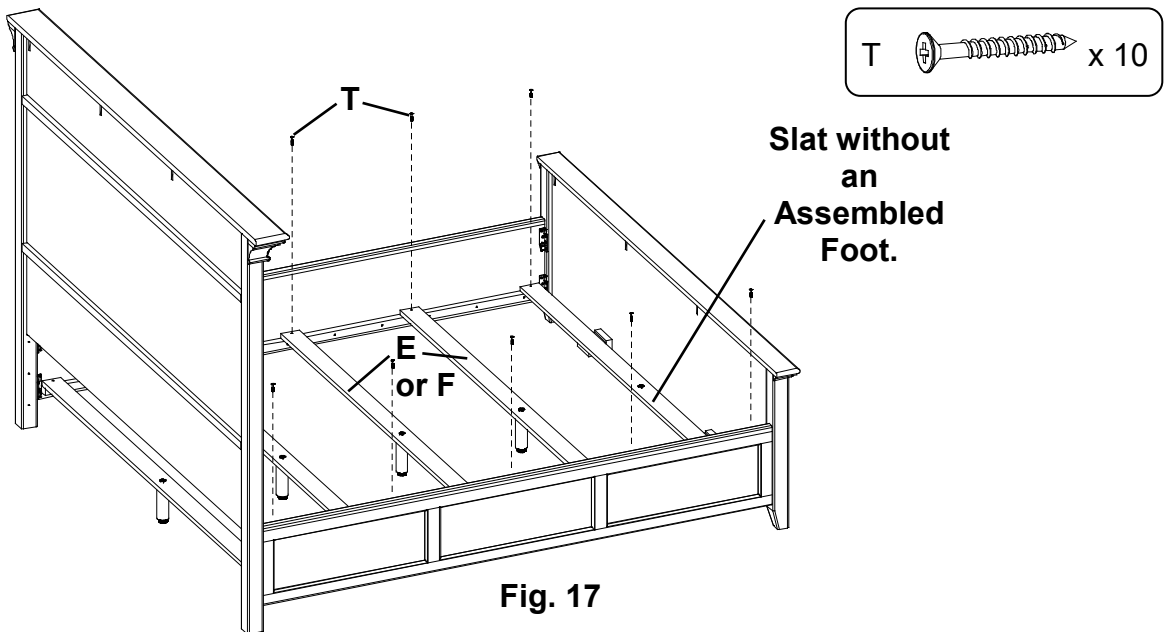
**2872 McKenzie Queen Grand Bed; 2875 McKenzie King Grand Bed
2882 McKenzie Queen Grand Storage Bed; 2883 McKenzie King Grand Storage Bed**
Assembly Instructions

This assembly requires two people.

16. Attach an Assembled Foot (D) to four of the five Slats (E or F) as shown in Figure 16.



17. Move the bed assembly to its final position. Position the Slats (E or F) on the bottom edges of the rails and place the slat without the Assembled Foot nearest to the Footboard. Attach with #8 x 1-1/4" Black Screws (T). See Figure 17.



18. Adjust the Adjustable Glides with Hex Nut (ZL) on the Assembled Feet (D) so the Glides (ZL) touch the floor, making sure the Assembled Feet bear weight.

