

Assembly Instructions

Model #

McKenzie Upholstered Panel Beds

GAC = Glazed Antique Cherry finish

JAV = Java finish

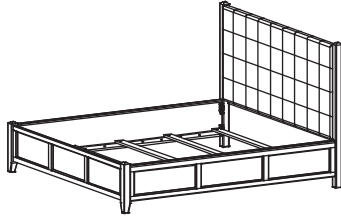
FST = Fieldstone finish

PEC = Pecan finish

SN = Snowbound finish

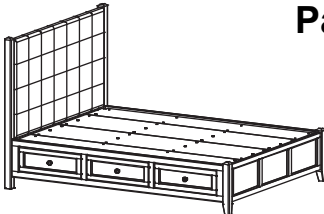
2828 McKenzie Queen Upholstered Panel Bed

2831 McKenzie King Upholstered Panel Bed



2838 McKenzie Queen Upholstered Panel Storage Bed

2839 McKenzie King Upholstered Panel Storage Bed



Thank you for allowing us to help you furnish your home. We are certain you will be delighted with your new furniture for many years to come.

IMPORTANT NOTES:

- For normal household use only. *Not* recommended for commercial use.
- Remove items before you move this unit.
- Do not overload the drawers.
- This assembly requires two people.

WARNING

Drilling, sawing, sanding or machining wood products can expose you to wood dust, a substance known to the state of California to cause cancer. Avoid inhaling wood dust or use a dust mask or other safeguards for personal protection.

For more information go to: www.p65warnings.ca.gov/wood

This product can expose you to chemicals, including formaldehyde, which are known to the State of California to cause cancer.

For more information go to: www.p65warnings.ca.gov/furniture

Care and Maintenance:

Vacuum clean frequently using a furniture nozzle. Remove stains as soon as they occur using a casual kitchen cloth, mild soap and water. Do not use any strong cleaning or bleaching agents. Machine clean at 30°C/ 86°F.

DESIGN SUBJECT TO CHANGE WITHOUT NOTICE.

- Storage Bed Instructions pgs 7-15
- Rail Bed Instructions pgs 16-18

CUSTOMER SERVICE

If you ever have questions about your furniture, please do not hesitate to contact us. In the unlikely event you need a replacement part; we can make those parts available through an authorized Whittier Wood Furniture dealer. If you cannot order replacement parts through your dealer, please contact our customer service department.

Hours: Our friendly customer service staff can be reached:

Monday-Friday 8:00 a.m. to 5:00 p.m. (Pacific Time).

You may leave a message 24 hours a day, seven days a week.

Customer Service: 800-653-3336 • **Outside the U.S.:** 541-687-0213

Fax: 541-687-2060 • **Email:** info@whittierwood.com



P.O. Box 2827
Eugene, OR 97402 USA

Production Code:

VN

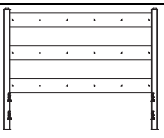
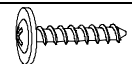
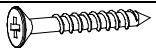
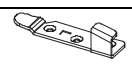
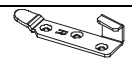
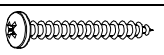
09/23

2828 McKenzie Queen Upholstered Panel Bed
2831 McKenzie King Upholstered Panel Bed
2838 McKenzie Queen Upholstered Panel Storage Bed
2839 McKenzie King Upholstered Panel Storage Bed
Parts List

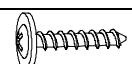
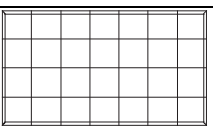
Please note this Assembly Instruction is for McKenzie Upholstered Panel Beds (#2828 Queen and #2831 King), and McKenzie Upholstered Panel Storage Beds (#2838 Queen and #2839 King). The Parts Lists for each component follow.

Please identify the parts and check that quantities received match those on this list. If you need to replace a part, refer to the finish name, following letter and part name.

2829 McKenzie Queen Upholstered Headboard Frame Kit (x1)
2832 McKenzie King Upholstered Headboard Frame Kit (x1)

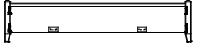

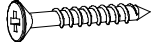


Part	Description		Quantity
A	Headboard Assembly		1
S	#8 x 7/8" Black Lo-Profile Screw		18
W	#8 x 1" Black Screw (inserted)		12
ZE	Small Left Bed Bracket (attached)		2
ZF	Small Right Bed Bracket (attached)		2
ZJ	#8 x 1-1/4" Pan Head Screw (inserted)		12

2830 McKenzie Queen Upholstered Headboard Insert (x1)
2833 McKenzie King Upholstered Headboard Insert (x1)



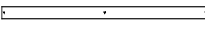
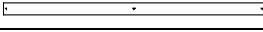


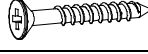



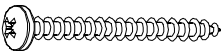
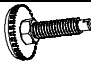
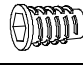

Part	Description		Quantity
S	#8 x 7/8" Black Lo-Profile Screw (inserted)		4
ZO	Upholstered Headboard Insert Assembly		1

2828 McKenZie Queen Upholstered Panel Bed
2831 McKenZie King Upholstered Panel Bed
2838 McKenZie Queen Upholstered Panel Storage Bed
2839 McKenZie King Upholstered Panel Storage Bed
Parts List

2807 McKenZie Queen Classic Footboard Kit (x1)
2811 McKenZie King Classic Footboard Kit (x1)

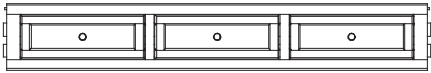
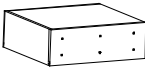

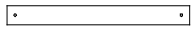
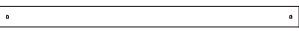


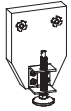



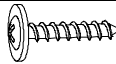

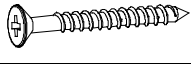
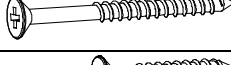
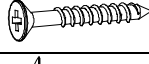

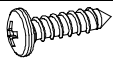

Part	Description		Quantity
B	Footboard Assembly		1
U	#8 x 1-5/8" Black Screw (inserted)		4
W	#8 x 1" Black Screw (inserted)		12
ZE	Small Left Bed Bracket (attached)		2
ZF	Small Right Bed Bracket (attached)		2

2808 McKenZie Queen Classic Rail Kit (x1)
2812 McKenZie King Classic Rail Kit (x1)


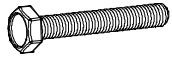

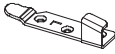



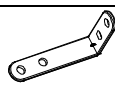
Part	Description	Quantity	
		2808GAC 2808JAV 2808FST 2808SN 2808PEC	2812GAC 2812JAV 2812FST 2812SN 2812PEC
C	Side Rail 	2	2
D	Assembled Foot 	4	4
E	Queen Slat (60-5/8") 	5	0
F	King Slat (76-1/2") 	0	5
G	Footboard Support Assembly 	2	2
T	#8 x 1-1/4" Black Screw 	10	10
W	#8 x 1" Black Screw (inserted) 	24	24
ZB	1/4" T-Nut (inserted) 	5	5
ZE	Small Left Bed Bracket (attached) 	4	4
ZF	Small Right Bed Bracket (attached) 	4	4
ZK	#10 x 2" Pan Head Screw 	26 (22 inserted)	26 (22 inserted)
ZL	Adjustable Glide with Hex Nut (installed) 	4	4
ZM	5/16" x 3/4" Insert Nut (inserted) 	4	4
ZN	1/4" x 45mm Hanger Bolt (inserted) 	4	4

2828 McKenzie Queen Upholstered Panel Bed
2831 McKenzie King Upholstered Panel Bed
2838 McKenzie Queen Upholstered Panel Storage Bed
2839 McKenzie King Upholstered Panel Storage Bed
Parts List

2820 McKenzie Queen Pedestal Kit (x2)
2822 McKenzie King Pedestal Kit (x2)

Part	Description	Quantity	
		2820GAC 2820JAV 2820FST 2820SN 2820PEC	2822GAC 2822JAV 2822FST 2822SN 2822PEC
H	Pedestal 	1	1
I	Drawer Box (assembled) 	3	3
J	Drawer Face (attached) 	3	3
K	Queen Trestle With T-Nuts (24-3/8") 	2	0
L	King Trestle With T-Nuts (40-1/2") 	0	2
M	Notched Deckboard (attached) 	1	1
N	Left/Right Center Deckboard 	1	1
O	Assembled Foot 	3	3
P	20" Drawer Slides (installed) 	3 sets	3 sets
Q	#6 x 3/4" Philtruss Screw (inserted) 	18	18
R	#6 x 1/2" Philtruss Screw 	22 (18 inserted)	22 (18 inserted)
S	#8 x 7/8" Black Lo-Profile Screw (inserted) 	18	18
T	#8 x 1-1/4" Black Screw 	16 (8 inserted)	16 (8 inserted)
U	#8 x 1-5/8" Black Screw (inserted) 	16	16
V	#8 x 2" Black Screw (inserted) 	12	12
W	#8 x 1" Black Screw (inserted) 	32	32
X	#8 x 1-1/2" Machine Screw Tuscan (installed) 	3	3
Y	#10 x 3/4" Pan Head Screw (inserted) 	12	12
ZA	18mm Flat Washer 	10	10

2828 McKenzie Queen Upholstered Panel Bed
2831 McKenzie King Upholstered Panel Bed
2838 McKenzie Queen Upholstered Panel Storage Bed
2839 McKenzie King Upholstered Panel Storage Bed
Parts List

Part	Description	Quantity	
		2820GAC 2820JAV 2820FST 2820SN 2820PEC	2822GAC 2822JAV 2822FST 2822SN 2822PEC
ZB	1/4" T-Nut (inserted) 	10	10
ZC	1/4" x 1-1/2" Hex Bolt 	10	10
ZD	Knob (attached) 	3	3
ZE	Small Left Bed Bracket (attached) 	2	2
ZF	Small Right Bed Bracket (attached) 	2	2
ZG	Foot Bracket (attached) 	3	3
ZH	Adjustable Glide (installed) 	3	3
ZI	90° Bracket 	1	1

2828 McKenzie Queen Upholstered Panel Bed
2831 McKenzie King Upholstered Panel Bed
2838 McKenzie Queen Upholstered Panel Storage Bed
2839 McKenzie King Upholstered Panel Storage Bed
Assembly Instructions

This assembly requires two people.

Tool Included: 5mm Z Hex wrench.

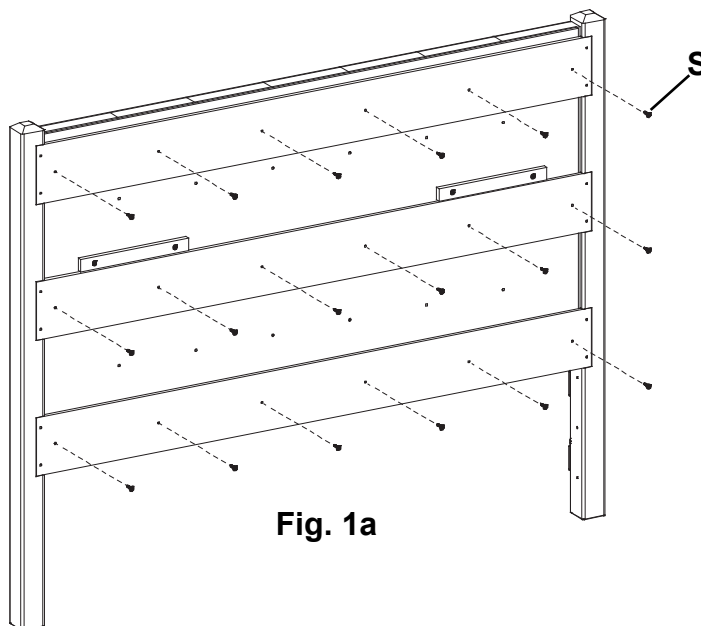
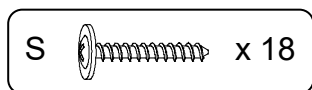
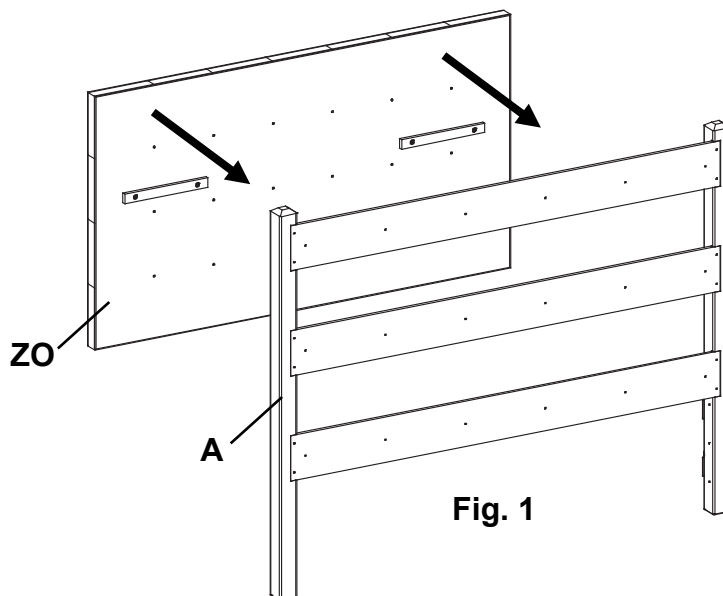
Tools Required: Phillips screwdriver, 1/2" open end or box end wrench.

Notes:

Steps 2 through 12 are for the McKenzie Queen Upholstered Panel Storage Bed (#2838) and McKenzie King Upholstered Panel Storage Bed (#2839).

Steps 13 through 19 are for the McKenzie Queen Upholstered Panel Bed (#2828) and McKenzie King Upholstered Panel Bed (#2831).

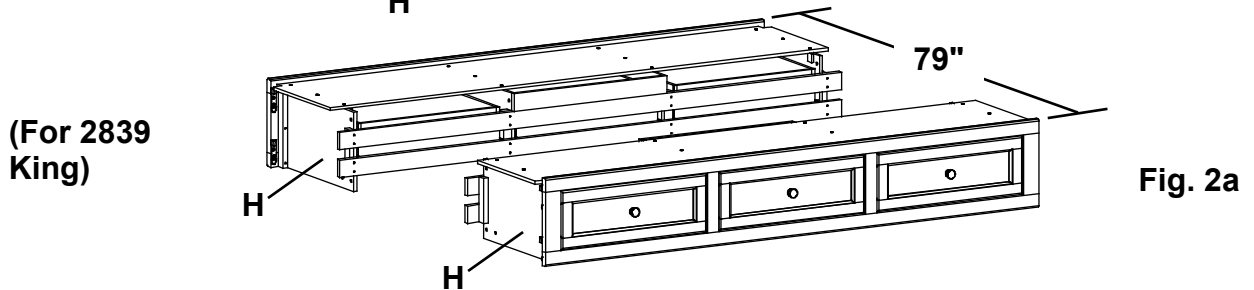
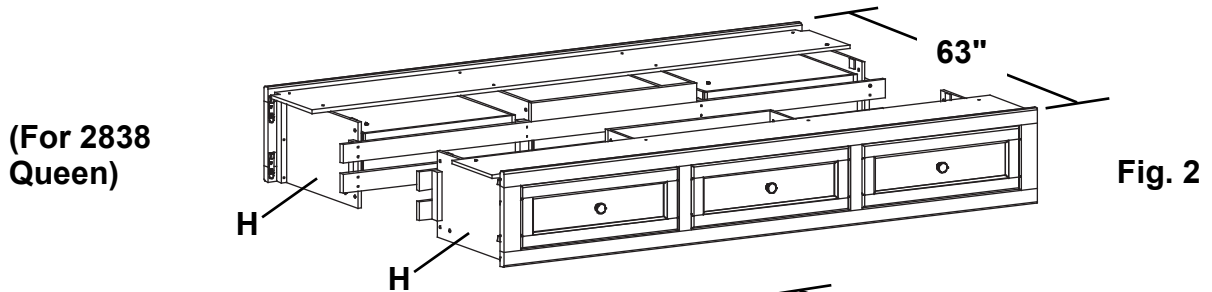
1. Place headboard insert (ZO) against headboard assembly (A) and secure using eighteen #8 x 7/8 black screws (S). See Figures 1 and 1a.



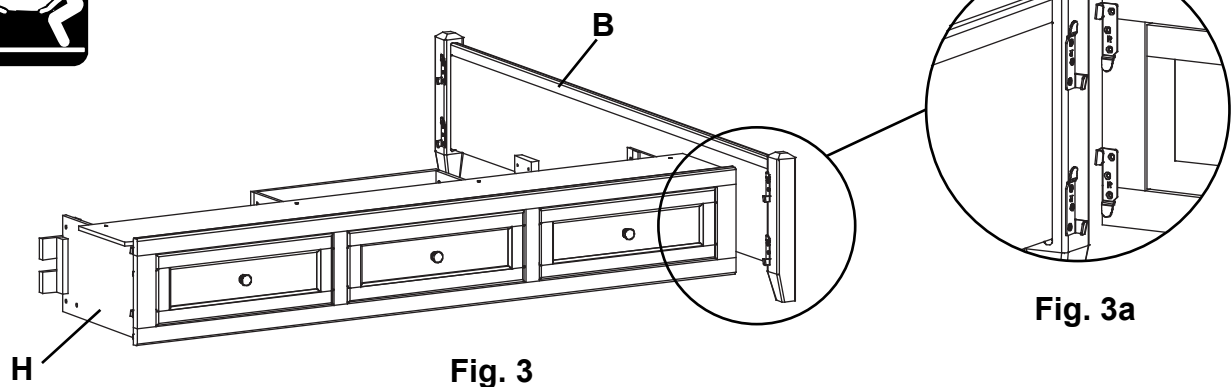
2828 McKenzie Queen Upholstered Panel Bed
2831 McKenzie King Upholstered Panel Bed
2838 McKenzie Queen Upholstered Panel Storage Bed
2839 McKenzie King Upholstered Panel Storage Bed
Assembly Instructions

This assembly requires two people.

2. Place both Pedestals (H) approximately 63" apart for #2838 Queen Bed, or 79" apart for #2839 King Bed as shown in Figures 2 and 2a.



3. To attach the Footboard (B) to the Pedestal (H), align the Brackets and slide the Pedestal down on to the Footboard (B). See Figures 3 and 3a.



2828 McKenzie Queen Upholstered Panel Bed
2831 McKenzie King Upholstered Panel Bed
2838 McKenzie Queen Upholstered Panel Storage Bed
2839 McKenzie King Upholstered Panel Storage Bed
Assembly Instructions

This assembly requires two people.

4. Repeat step three for the left side. See Figures 4 and 4a.

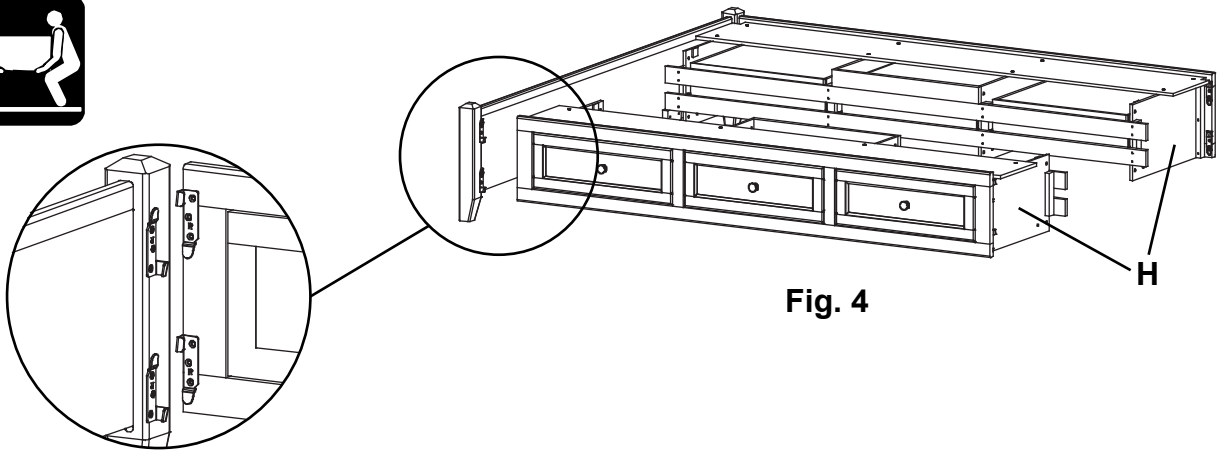


Fig. 4

Fig. 4a

5. Align the Brackets on both sides and slide the Pedestal/Footboard assembly down on to the Headboard (A). See Figure 5.

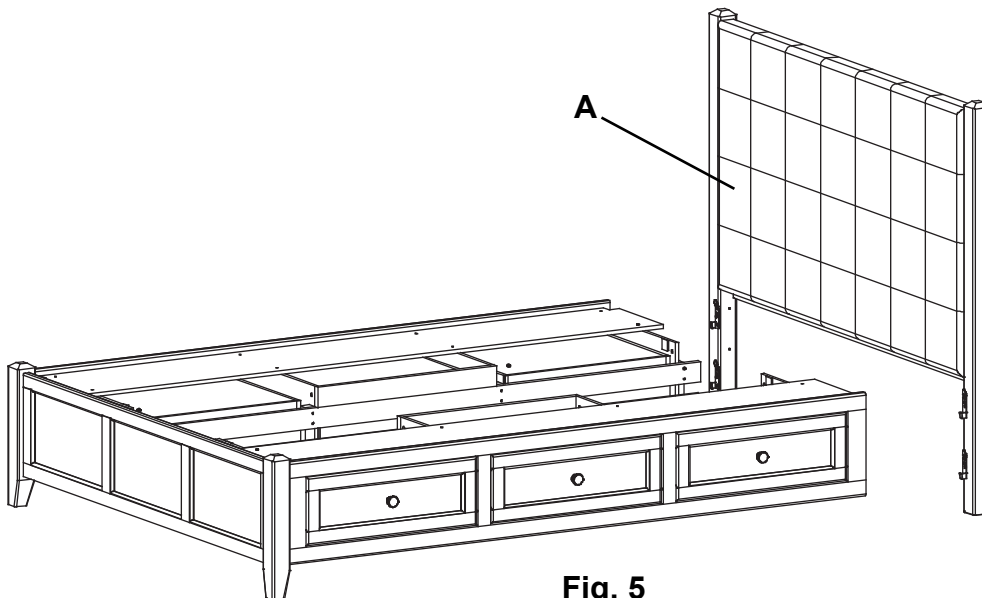


Fig. 5

2828 McKenzie Queen Upholstered Panel Bed
2831 McKenzie King Upholstered Panel Bed
2838 McKenzie Queen Upholstered Panel Storage Bed
2839 McKenzie King Upholstered Panel Storage Bed
Assembly Instructions

This assembly requires two people.

6. Open all six drawers and face the headboard. Place and align over the predrilled holes an assembled foot (O) on the backside of the first and second braces nearest the headboard. Attach by inserting 1/4" x 1-1/2" hex bolts (ZC) and washers (ZA). See figures 6, 6a and 6b.

IMPORTANT: Make sure glides touch the floor and carry weight.

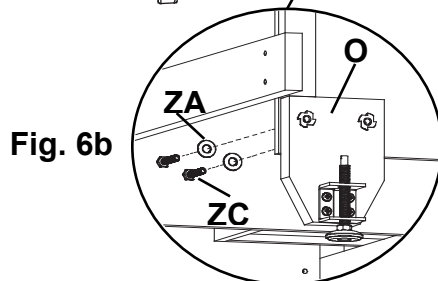
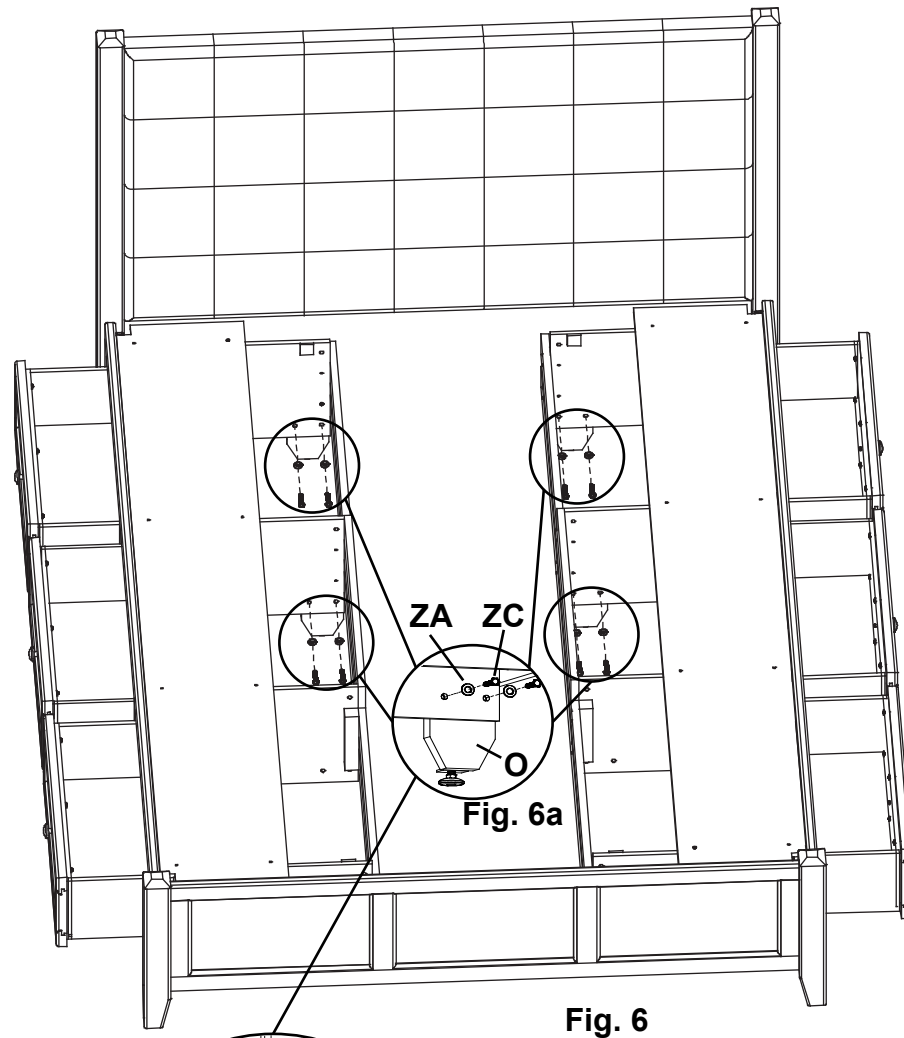
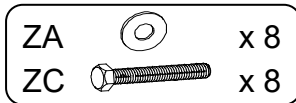
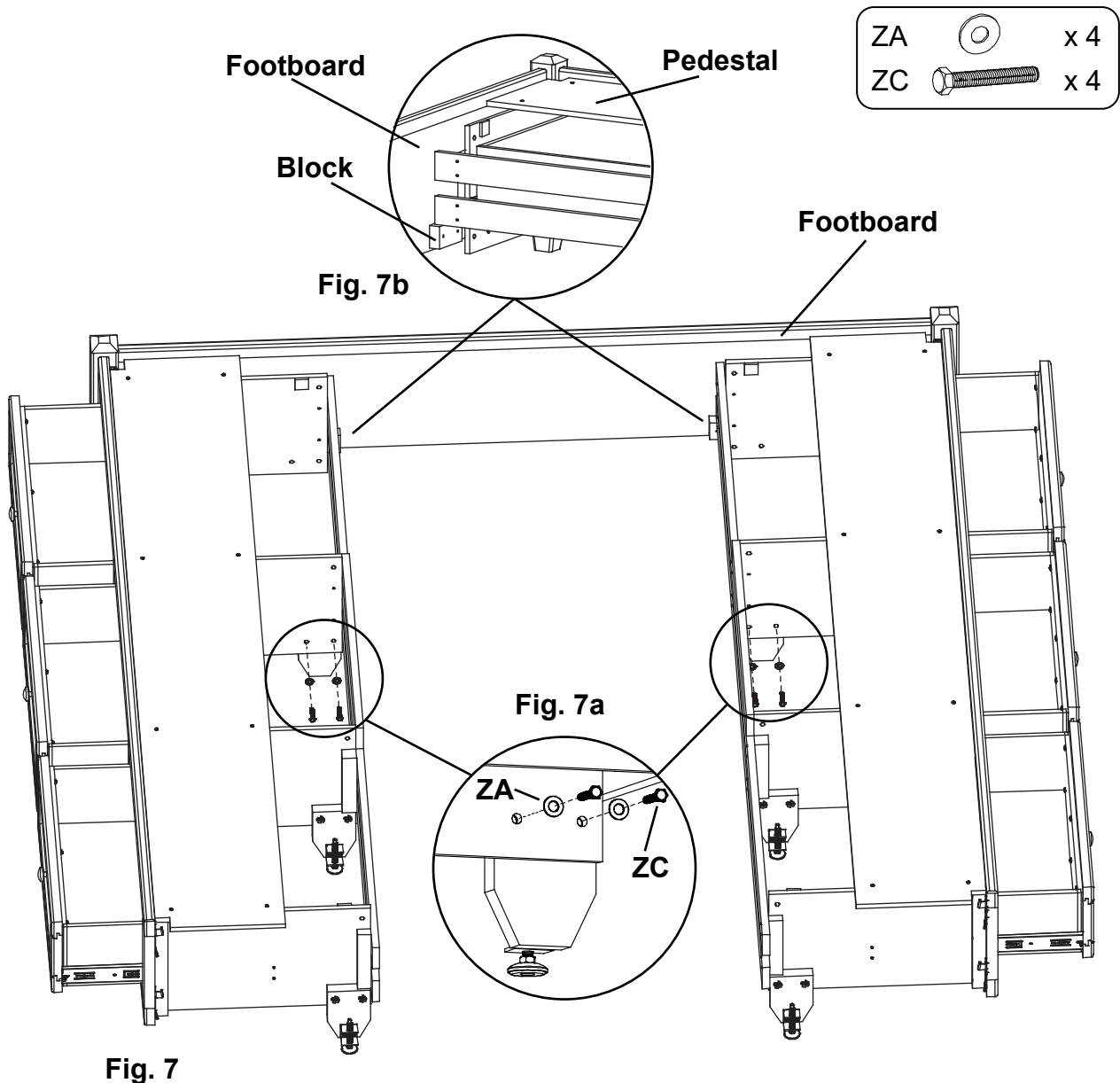


Fig. 6b

2828 McKenzie Queen Upholstered Panel Bed
2831 McKenzie King Upholstered Panel Bed
2838 McKenzie Queen Upholstered Panel Storage Bed
2839 McKenzie King Upholstered Panel Storage Bed
Assembly Instructions

This assembly requires two people.

7. Face the footboard. Do not attach assembled feet to the braces nearest the footboard. There are blocks on the backside of the footboard to support the drawer pedestals. Place and align over the predrilled holes in the brace an assembled foot (O) on the backside of the third brace. Attach by inserting 1/4" x 1-1/2" hex bolts (ZC) and washers (ZA). See figures 7, 7a and 7b.



Headboard removed for illustration purposes.

2828 McKenzie Queen Upholstered Panel Bed
2831 McKenzie King Upholstered Panel Bed
2838 McKenzie Queen Upholstered Panel Storage Bed
2839 McKenzie King Upholstered Panel Storage Bed
Assembly Instructions

This assembly requires two people.

8. Open the drawers. Face the Footboard and stand in between the first and second braces. Place a Trestle with T-Nuts (K or L) on the outside surfaces of the first upper left and right braces so that the T-Nuts (ZB) sit near the top. See Figure 8a. Line up the upper edges of the trestle and braces so they are nearly flush. Insert two 1/4" x 1-1/2" Hex Bolts (ZC) and Washers (ZA) and tighten. Repeat for the second upper brace. See Figures 8 and 8a.

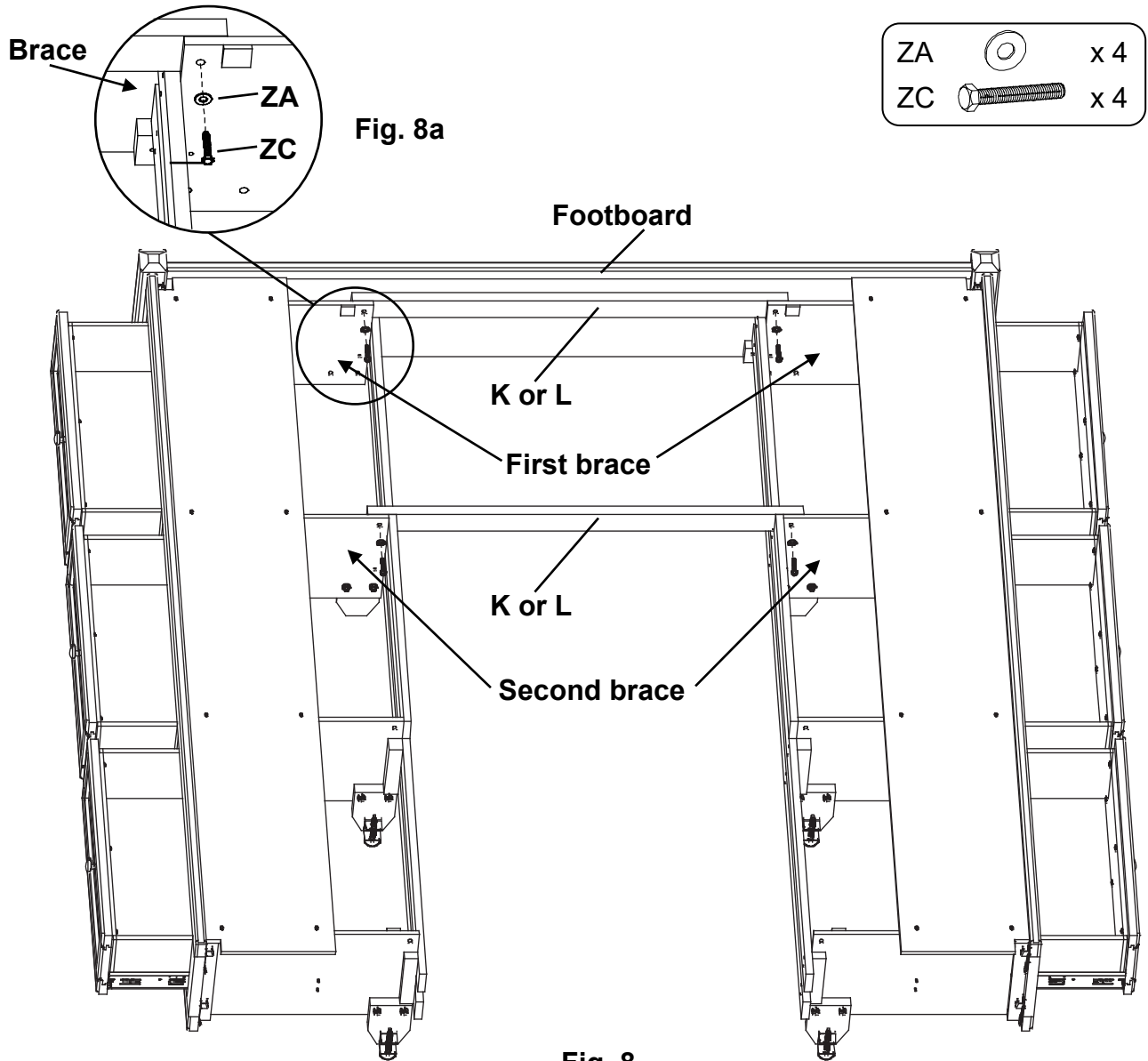
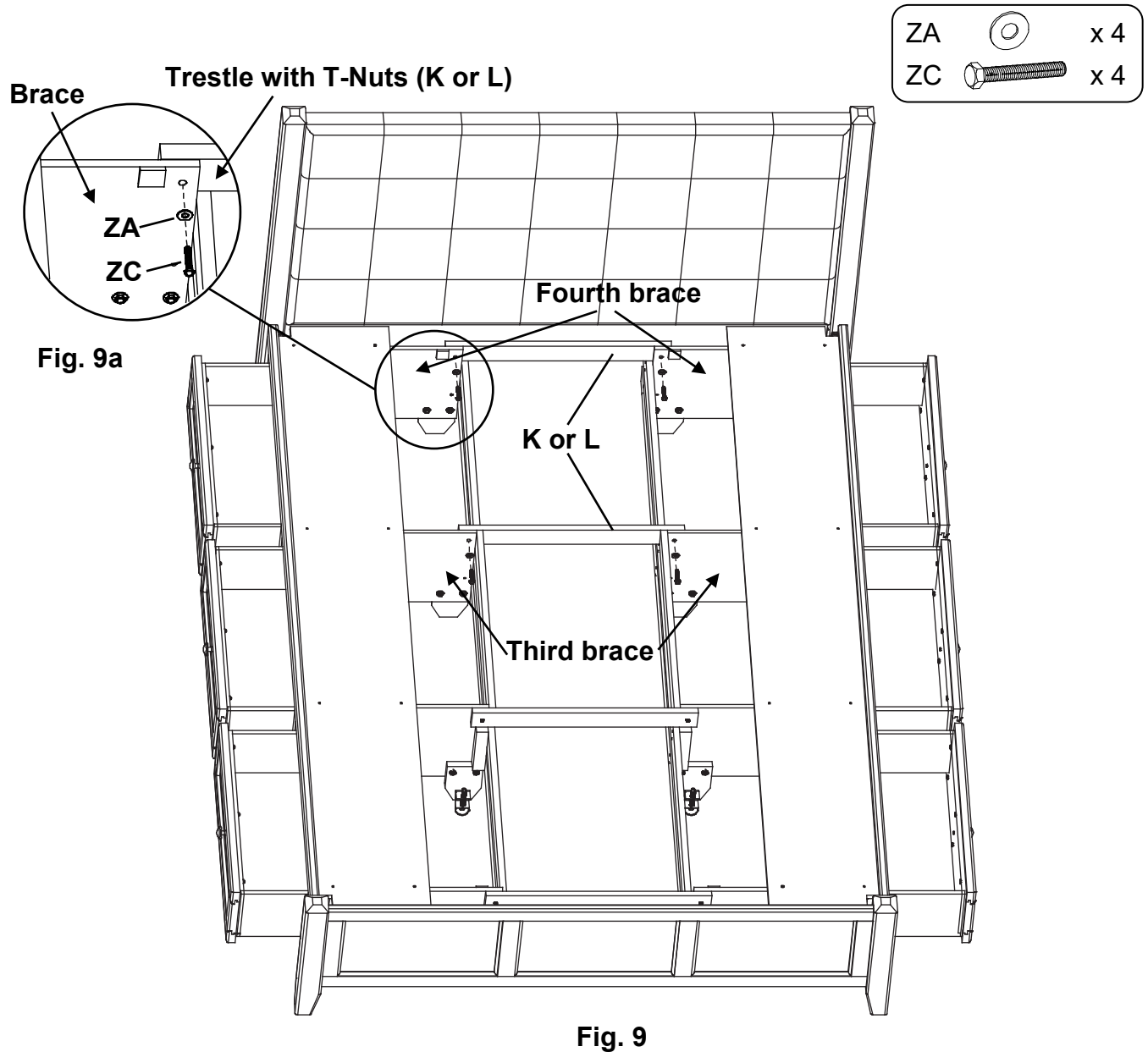


Fig. 8
Headboard removed for illustration purposes.

2828 McKenzie Queen Upholstered Panel Bed
2831 McKenzie King Upholstered Panel Bed
2838 McKenzie Queen Upholstered Panel Storage Bed
2839 McKenzie King Upholstered Panel Storage Bed
Assembly Instructions

This assembly requires two people.

9. Face the Headboard and stand in between the third and fourth braces. Place a Trestle with T-Nuts (K or L) on the outside surfaces of the third **upper** left and right braces so the T-nuts sit near the top. See Figures 9 and 9a. Line up the upper edges of the trestle and braces so they are nearly flush. Insert two 1/4" x 1-1/2" Hex Bolts (ZC) and Washers (ZA) and tighten. Repeat for the fourth braces.



2828 McKenzie Queen Upholstered Panel Bed
2831 McKenzie King Upholstered Panel Bed
2838 McKenzie Queen Upholstered Panel Storage Bed
2839 McKenzie King Upholstered Panel Storage Bed
Assembly Instructions

This assembly requires two people.

10. Facing the Footboard, attach the Pedestal Assembly to the Footboard with a 90° Bracket (ZI) and four #6 x 1/2" Philtruss Screws (R). Repeat for the other side. See Figures 10 and 10a.

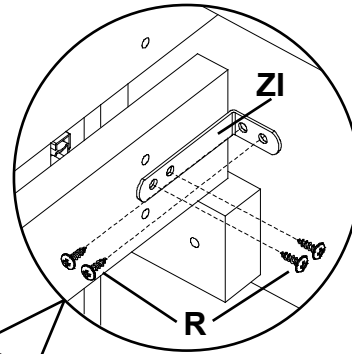
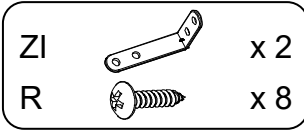


Fig. 10a

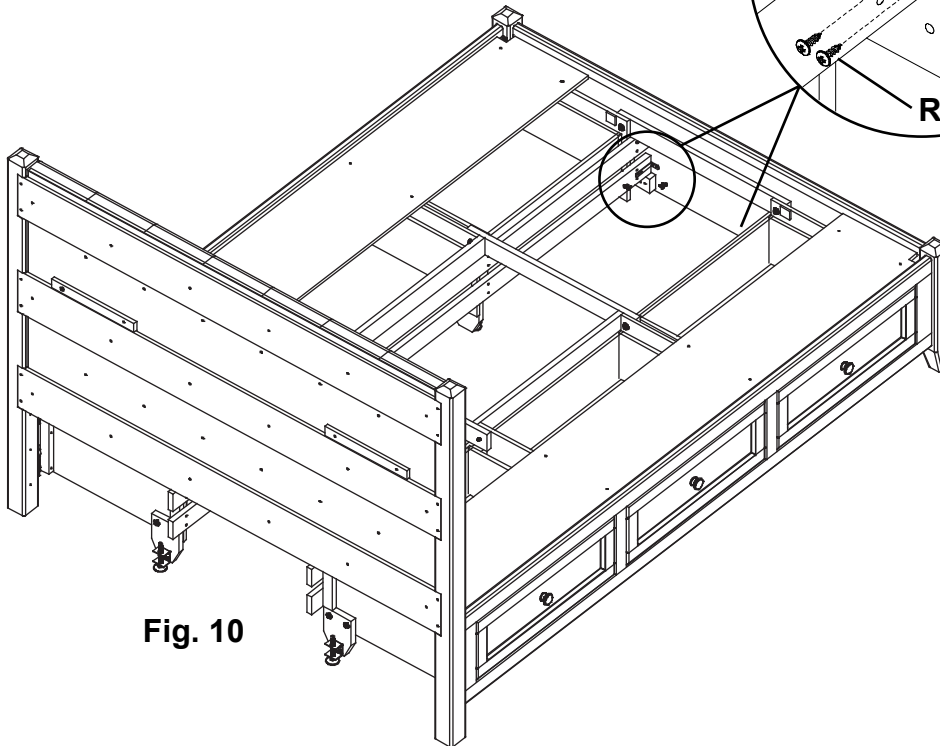


Fig. 10

2828 McKenzie Queen Upholstered Panel Bed
2831 McKenzie King Upholstered Panel Bed
2838 McKenzie Queen Upholstered Panel Storage Bed
2839 McKenzie King Upholstered Panel Storage Bed
Assembly Instructions

This assembly requires two people.

11. To make sure the bed is square, measure the distance between opposing corners. If one of the measurements is larger, tap on a footboard leg until the measurement is equal. See Figure 11.

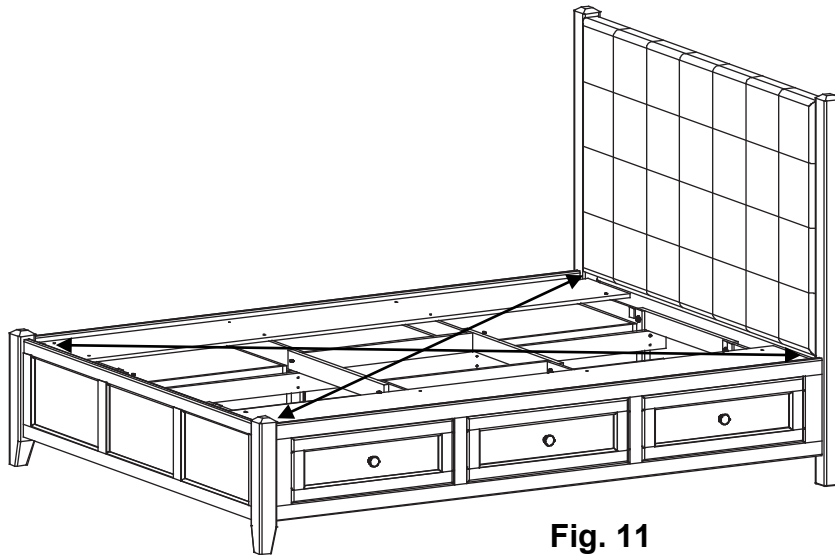


Fig. 11

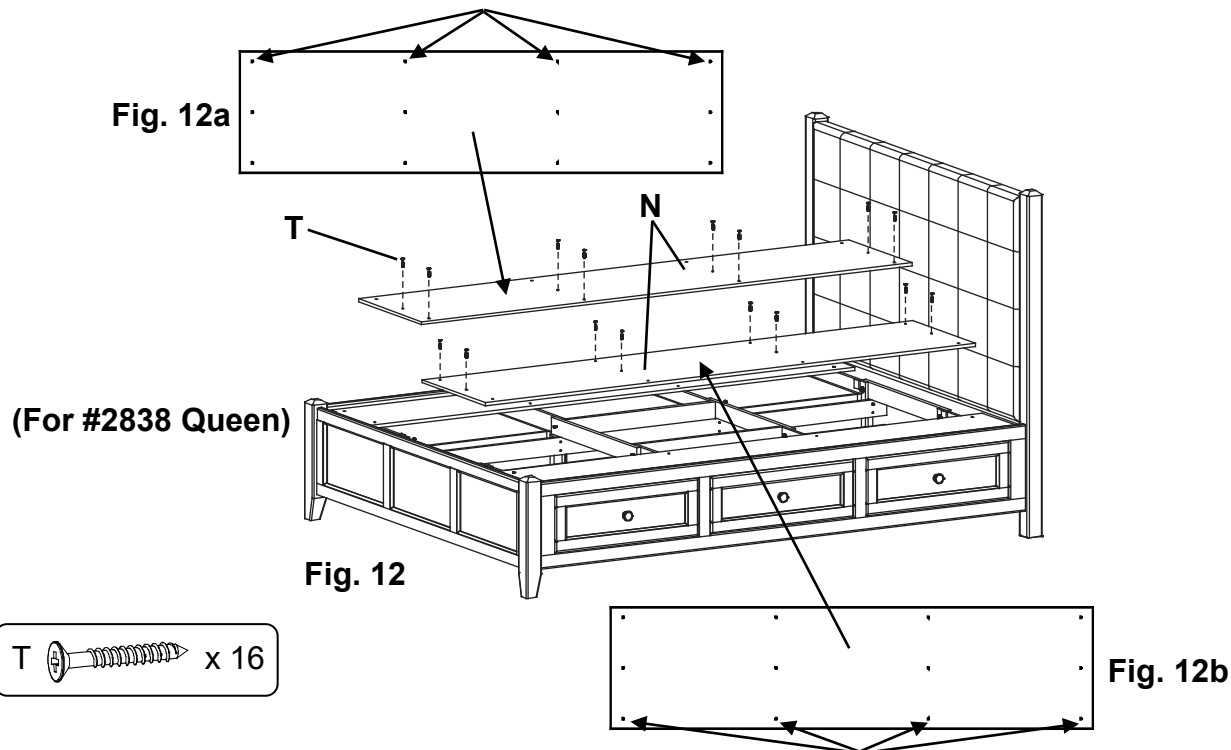
Continued on Page 15

2828 McKenzie Queen Upholstered Panel Bed
2831 McKenzie King Upholstered Panel Bed
2838 McKenzie Queen Upholstered Panel Storage Bed
2839 McKenzie King Upholstered Panel Storage Bed
Assembly Instructions

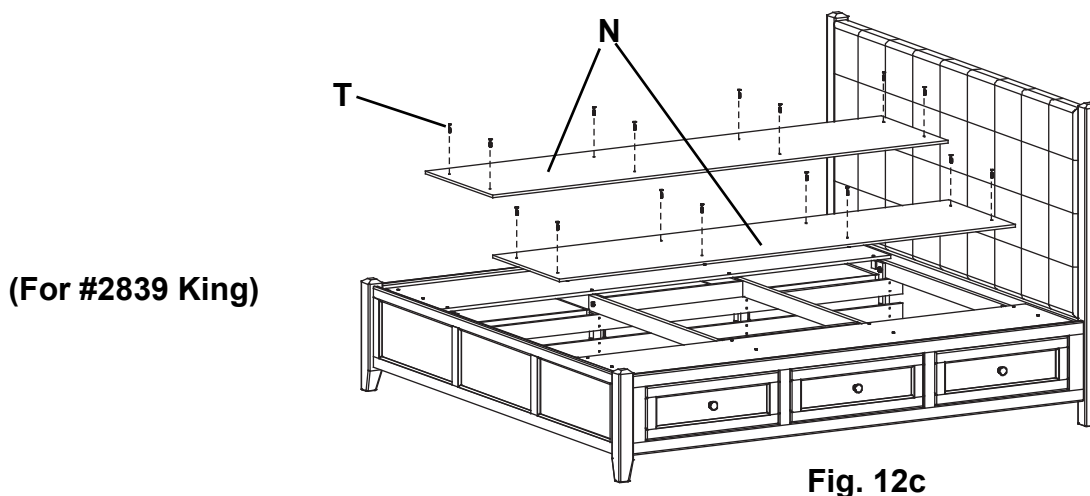
This assembly requires two people.

12. Place the Left/Right Center Deckboards (N) as shown in Figures 12, 12a, 12b and 12c and secure with eight #8x1-1/4" Black Screws (T). There should be a small gap between each deckboard.

Do not use the outer column of screw holes to attach the deck boards



Do not use the outer column of screw holes to attach the deck boards

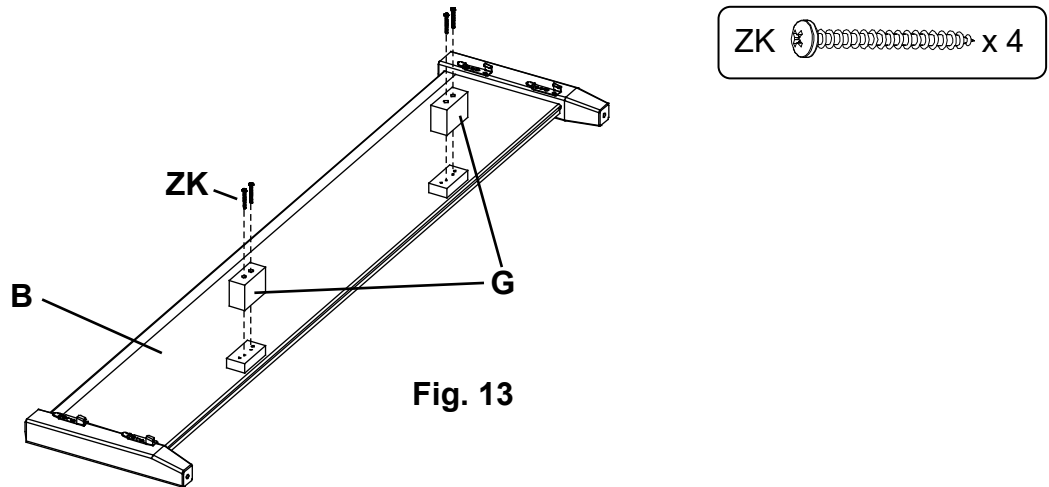


This concludes the assembly process for McKenzie Upholstered Panel Storage Bed, if you have purchased a McKenzie Upholstered Panel Bed please refer to the instructions beginning on page 16.

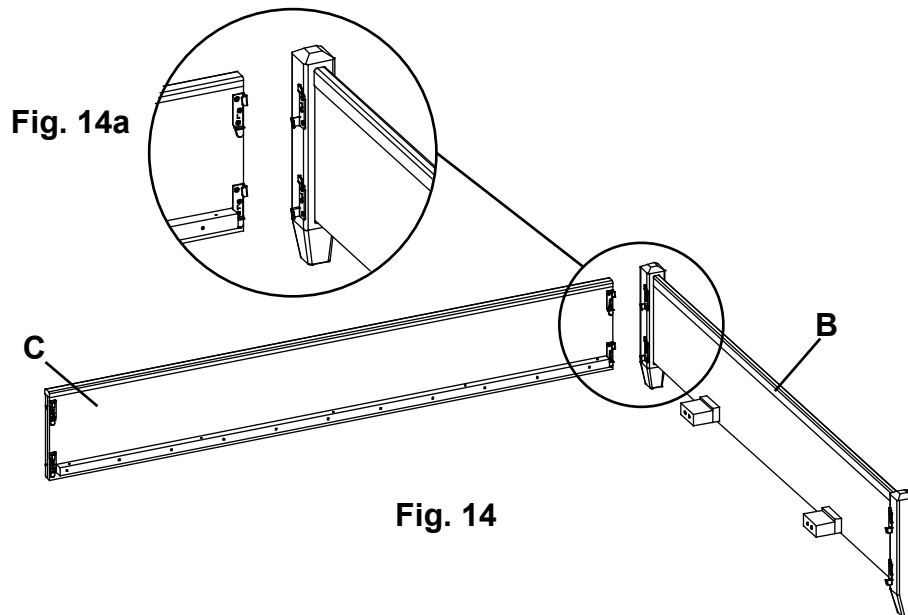
2828 McKenzie Queen Upholstered Panel Bed
2831 McKenzie King Upholstered Panel Bed
2838 McKenzie Queen Upholstered Panel Storage Bed
2839 McKenzie King Upholstered Panel Storage Bed
Assembly Instructions

This assembly requires two people.

13. Position the Footboard Supports (G) over the blocks that are mounted onto the back side of the Footboard (B) and attach with four #10 x 2" Pan Head Screws (ZK) through the pre-drilled holes in the slat supports and into the location punches on the blocks. See Figure 13.

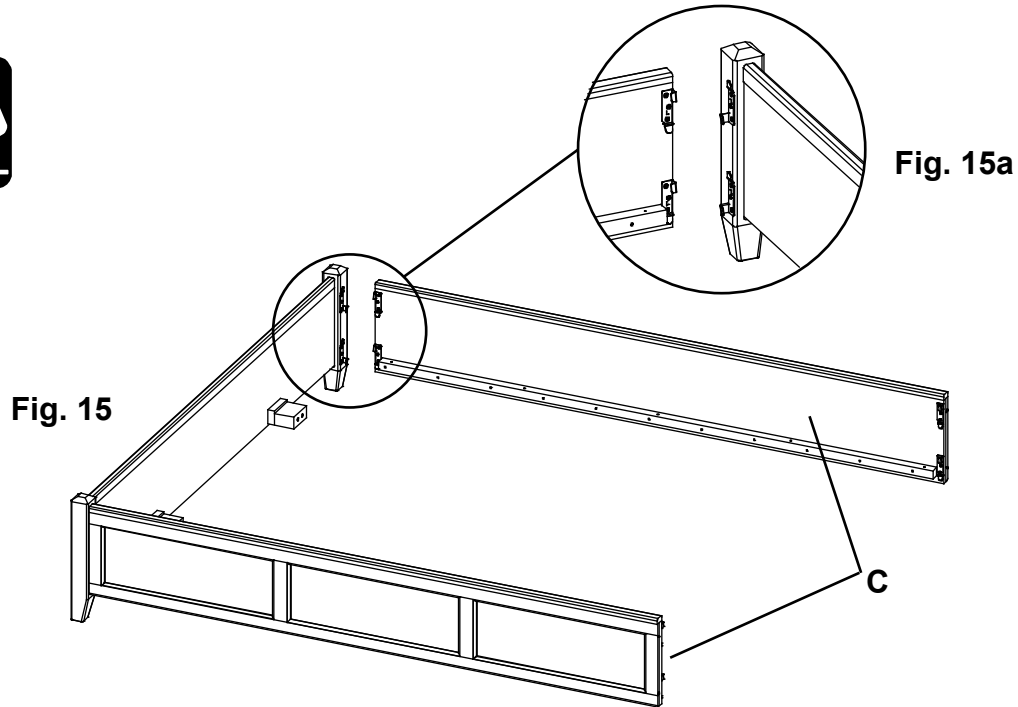


14. To attach the Footboard (B) to the Side Rail (C), align the Brackets and slide the Side Rail (C) down on to the Footboard (B). See Figures 14 and 14a.

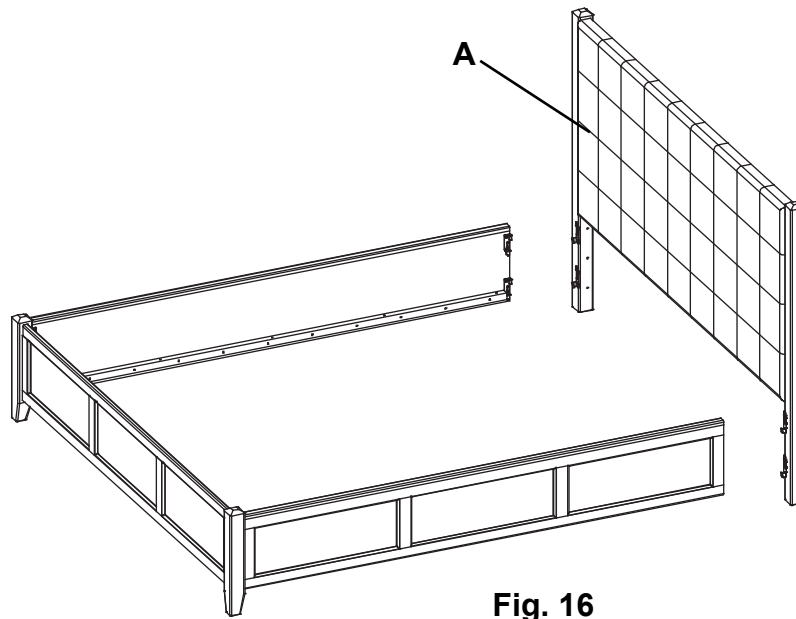


2828 McKenzie Queen Upholstered Panel Bed
2831 McKenzie King Upholstered Panel Bed
2838 McKenzie Queen Upholstered Panel Storage Bed
2839 McKenzie King Upholstered Panel Storage Bed
Assembly Instructions
This assembly requires two people.

15. Repeat step two for the other side. See Figures 15 and 15a.



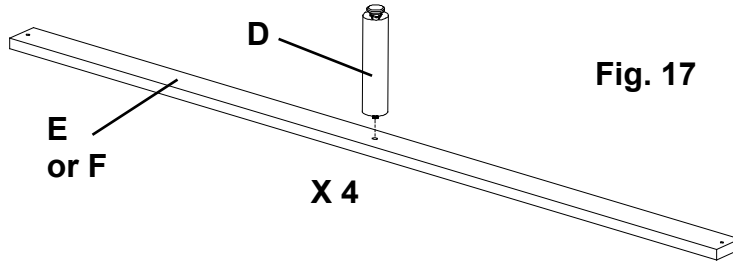
16. Align the Brackets on both sides and slide the Side Rail/Footboard assembly down on to the Headboard (A). See Figure 16.



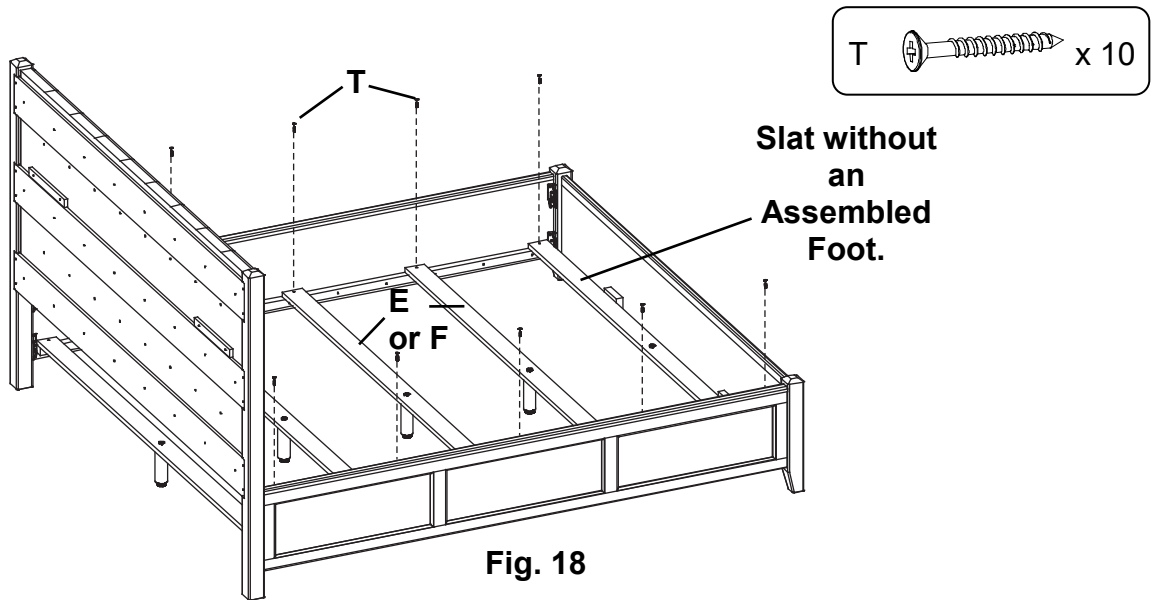
2828 McKenzie Queen Upholstered Panel Bed
2831 McKenzie King Upholstered Panel Bed
2838 McKenzie Queen Upholstered Panel Storage Bed
2839 McKenzie King Upholstered Panel Storage Bed
Assembly Instructions

This assembly requires two people.

17. Attach an Assembled Foot (D) to four of the five Slats (E or F) as shown in Figure 17.



18. Move the bed assembly to its final position. Position the Slats (E or F) on the bottom edges of the rails and place the slat without the Assembled Foot nearest to the Footboard. Attach with #8 x 1-1/4" Black Screws (T). See Figure 18.



19. Adjust the Adjustable Glides with Hex Nut (ZL) on the Assembled Feet (D) so the Glides (ZL) touch the floor, making sure the Assembled Feet bear weight.

