

# Assembly Instructions

Model #

## McKenzie Classic Beds

GAC = Glazed Antique Cherry finish

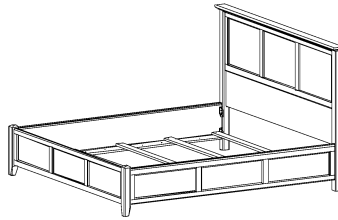
JAV = Java finish

FST = Fieldstone finish

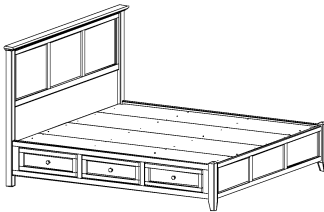
PEC = Pecan finish

SN = Snowbound finish

### 2801 McKenzie Full Classic Bed



### 2817 McKenzie Full Classic Storage Bed



*Thank you for allowing us to help you furnish your home. We are certain you will be delighted with your new furniture for many years to come.*

#### IMPORTANT NOTES:

- For normal household use only. *Not* recommended for commercial use.
- Remove items before you move this unit.
- Do not overload the drawers.
- This assembly requires two people.

#### WARNING

Drilling, sawing, sanding or machining wood products can expose you to wood dust, a substance known to the state of California to cause cancer. Avoid inhaling wood dust or use a dust mask or other safeguards for personal protection.

For more information go to: [www.p65warnings.ca.gov/wood](http://www.p65warnings.ca.gov/wood)

This product can expose you to chemicals, including formaldehyde, which are known to the State of California to cause cancer.

For more information go to: [www.p65warnings.ca.gov/furniture](http://www.p65warnings.ca.gov/furniture)

#### DESIGN SUBJECT TO CHANGE WITHOUT NOTICE.

- Storage Bed Instructions pgs 6-13
- Rail Bed Instructions pgs 14-16

If you ever have questions about your furniture, please do not hesitate to contact us. In the unlikely event you need a replacement part; we can make those parts available through an authorized Whittier Wood Furniture dealer. If you cannot order replacement parts through your dealer, please contact our customer service department.

**Hours:** Our friendly customer service staff can be reached:

**Monday-Friday 8:00 a.m. to 5:00 p.m. (Pacific Time).**

You may leave a message 24 hours a day, seven days a week.

**Customer Service:** 800-653-3336 • **Outside the U.S.:** 541-687-0213

**Fax:** 541-687-2060 • **Email:** [info@whittierwood.com](mailto:info@whittierwood.com)

**Whittier  
Wood**  
FURNITURE

P.O. Box 2827  
Eugene, OR 97402 USA

Production Code:

VN

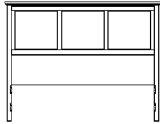




05/26

**2801 McKenzie Full Classic Bed**  
**2817 McKenzie Full Classic Storage Bed**  
*Parts List*

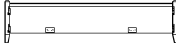




Please note this Assembly Instruction is for McKenzie Full Classic Bed (#2801) and McKenzie Full Classic Storage Bed (#2817). The Parts Lists for each component follow.

Please identify the parts and check that quantities received match those on this list. If you need to replace a part, refer to the finish name, following letter and part name.

## 2802 McKenzie Full Classic Headboard Kit (x1)

Part		Description		Quantity
A	28022201	Headboard Assembly		1
U	9502711	#8 x 1" Black Screw (inserted)		12
ZC	9508711	Small Left Bed Bracket (attached)		2
ZD	9508721	Small Right Bed Bracket (attached)		2
ZH	9502321	#8 x 1-1/4" Pan Head Screw (inserted)		4











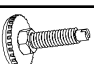


## 2803 McKenzie Full Classic Footboard Kit (x1)

Part		Description		Quantity
B	28032301	Footboard Assembly		1
S	9502391	#8 x 1-5/8" Black Screw (inserted)		4
U	9502711	#8 x 1" Black Screw (inserted)		12
ZC	9508711	Small Left Bed Bracket (attached)		2
ZD	9508721	Small Right Bed Bracket (attached)		2

**2801 McKenzie Full Classic Bed  
2817 McKenzie Full Classic Storage Bed**

*Parts List*

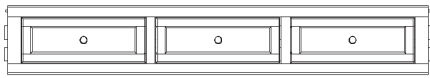
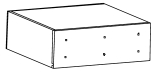

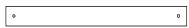

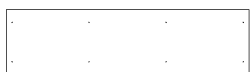
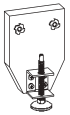



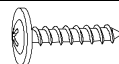


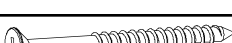
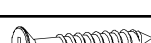

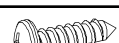




## 2804 McKenzie Full Classic Rail Kit (x1)

Part		Description	Quantity
C	28045001	Side Rail 	2
D	33293001	Assembled Foot 	4
E	20072611	Full Slat (54-5/8") 	5
F	28085271	Footboard Support Assembly 	2
R	9502381	#8 x 1-1/4" Black Screw 	10
U	9502711	#8 x 1" Black Screw (inserted) 	24
Y	9506211	1/4" T-Nut (inserted) 	5
ZC	9508711	Small Left Bed Bracket (attached) 	4
ZD	9508721	Small Right Bed Bracket (attached) 	4
ZI	9503101	#10 x 2" Pan Head Screw 	26 (22 inserted)
ZJ	9502201	Adjustable Glide with Hex Nut (installed) 	4
ZK	9506261	5/16" x 3/4" Insert Nut (inserted) 	4
ZL	9506521	1/4" x 45mm Hanger Bolt (inserted) 	4

**2801 McKenzie Full Classic Bed  
2817 McKenzie Full Classic Storage Bed**

*Parts List*






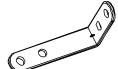
## 2818 McKenzie Full Pedestal Kit (x2)

Part	Description	Quantity
G	Pedestal 	1
H	28184401 Drawer Box (assembled) 	3
I	28184001 Drawer Face (attached) 	3
J	28182631 Full Trestle With T-Nuts (18-3/8") 	2
K	28189011 Notched Deckboard (attached) 	1
L	28189001 Left/Right Center Deckboard 	1
M	23783101 Assembled Foot 	3
N	9501584 20" Drawer Slides (installed) 	3 sets
O	9501841 #6 x 3/4" Philtruss Screw (inserted) 	18
P	9502122 #6 x 1/2" Philtruss Screw 	22 (18 inserted)
Q	9502331 #8 x 7/8" Black Lo-Profile Screw (inserted) 	18
R	9502381 #8 x 1-1/4" Black Screw 	36 (28 inserted)
S	9502391 #8 x 1-5/8" Black Screw (inserted) 	16
T	9502401 #8 x 2" Black Screw (inserted) 	12
U	9502711 #8 x 1" Black Screw (inserted) 	12
V	9502811 #8 x 1-1/2" Machine Screw Tuscan (installed) 	3
W	9502981 #10 x 3/4" Pan Head Screw (inserted) 	12
X	9506121 18mm Flat Washer 	10
Y	9506211 1/4" T-Nut (inserted) 	10
ZA	9506611 1/4" x 1-1/2" Hex Bolt 	10
	9507481 Lg. Tuscan Bronze Knob (attached) 	3 (GAC)

ZB

**2801 McKenzie Full Classic Bed  
2817 McKenzie Full Classic Storage Bed**

*Parts List*

<b>Part</b>	<b>Description</b>	<b>Quantity</b>
		<b>3</b>
		<b>(JAV/FST/ SN/PEC)</b>
		
		<b>3</b>
		
ZC	9508711 Small Left Bed Bracket (attached)	<b>2</b>
ZD	9508721 Small Right Bed Bracket (attached)	<b>2</b>
		
ZE	9508831 Foot Bracket (attached)	<b>3</b>
		
ZF	9508841 Adjustable Glide (installed)	<b>3</b>
		
ZG	9508981 90° Bracket	<b>1</b>
		

**2801 McKenzie Full Classic Bed**  
**2817 McKenzie Full Classic Storage Bed**

*Assembly Instructions*

This assembly requires two people.

**Tool Included:** 5mm Z Hex wrench.

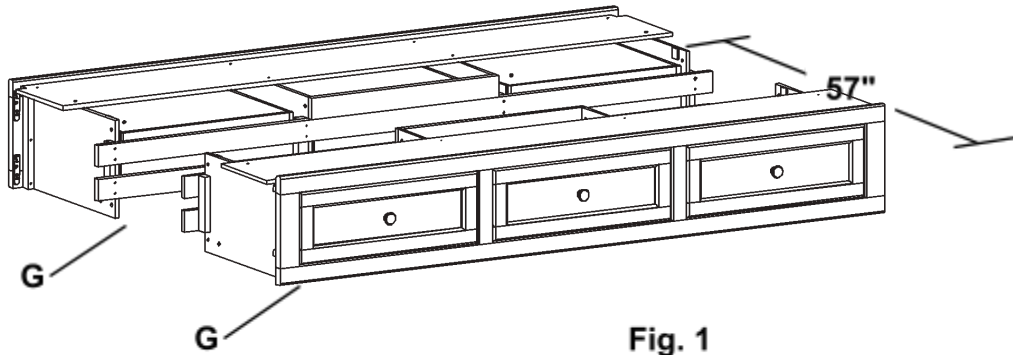
**Tools Required:** Phillips screwdriver, 1/2" open end or box end wrench.

**Notes:**

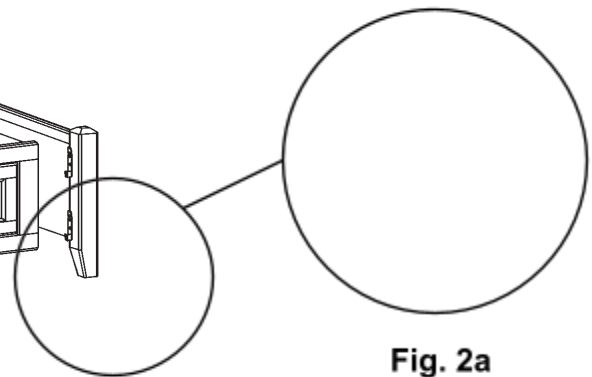
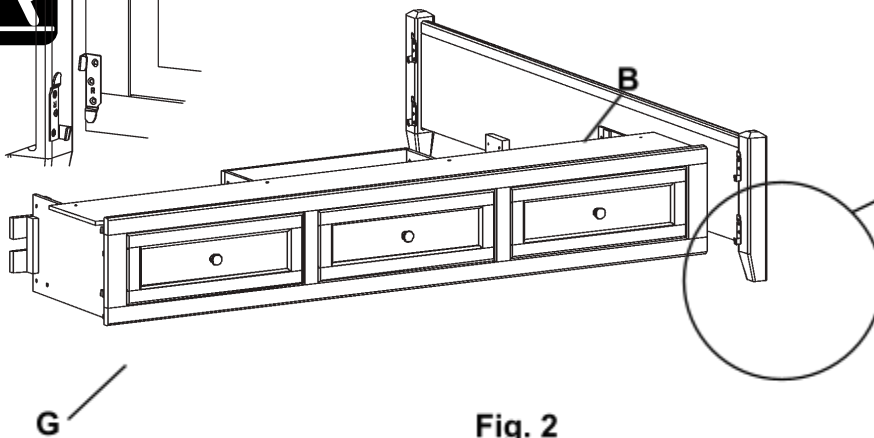
**Steps 1 through 11 are for the McKenzie Full Classic Storage Bed (#2817).**

**Steps 12 through 18 are for the McKenzie Full Classic Bed (#2801).**

1. Place both Pedestals (G) approximately 57" apart as shown in Figures 1.



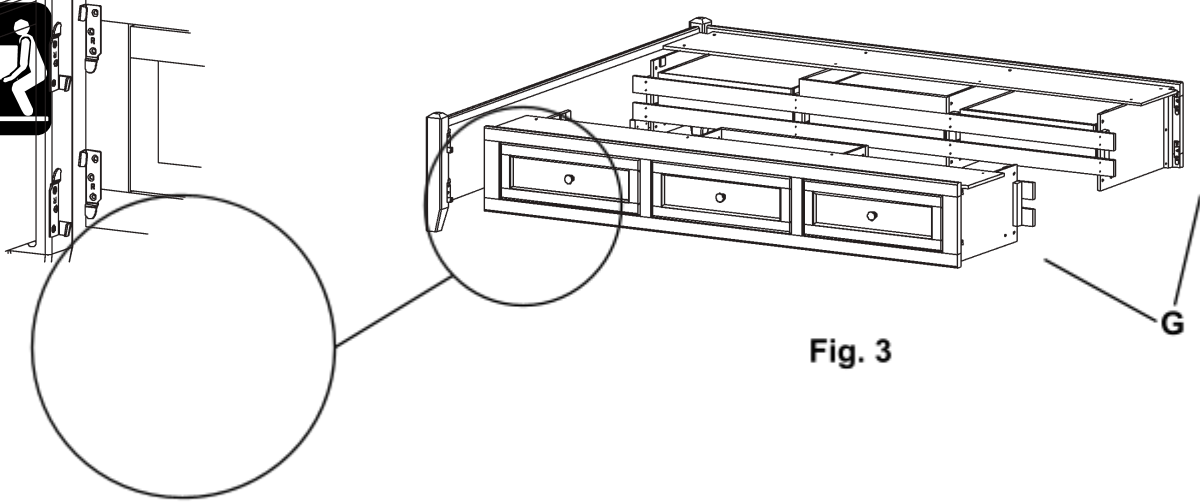
2. To attach the Footboard (B) to the Pedestal (G), align the Brackets and slide the Pedestal down the Footboard (B). See Figures 2 and 2a.



**2801 McKenzie Full Classic Bed**  
**2817 McKenzie Full Classic Storage Bed**  
*Assembly Instructions*

This assembly requires two people.

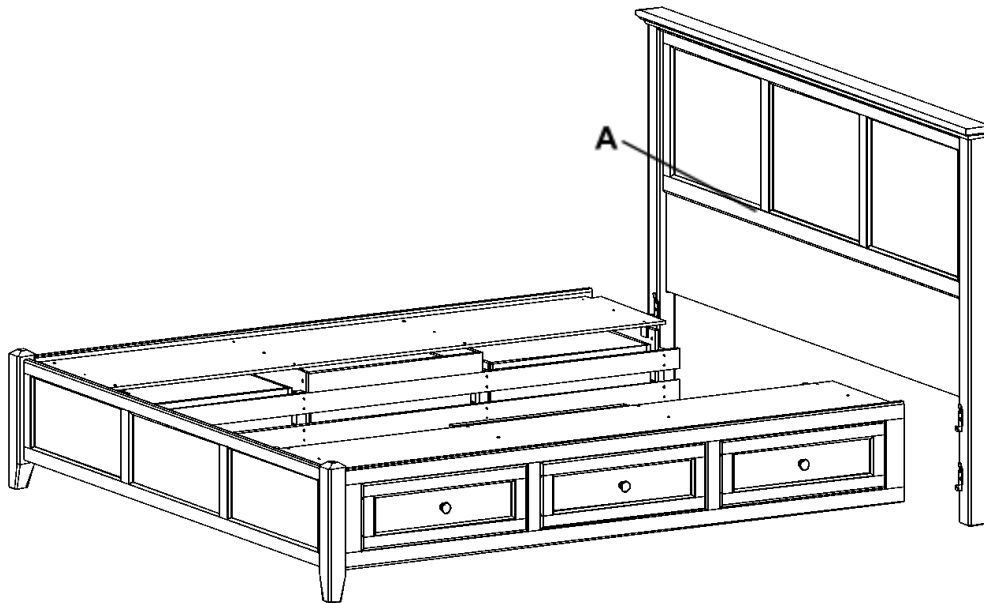
3. Repeat step three for the left side. See Figures 3 and 3a.



**Fig. 3a**

**Fig. 3**

4. Align the Brackets on both sides and slide the Pedestal/Footboard assembly down on to the board (A). See Figure 4.



**Fig. 4**

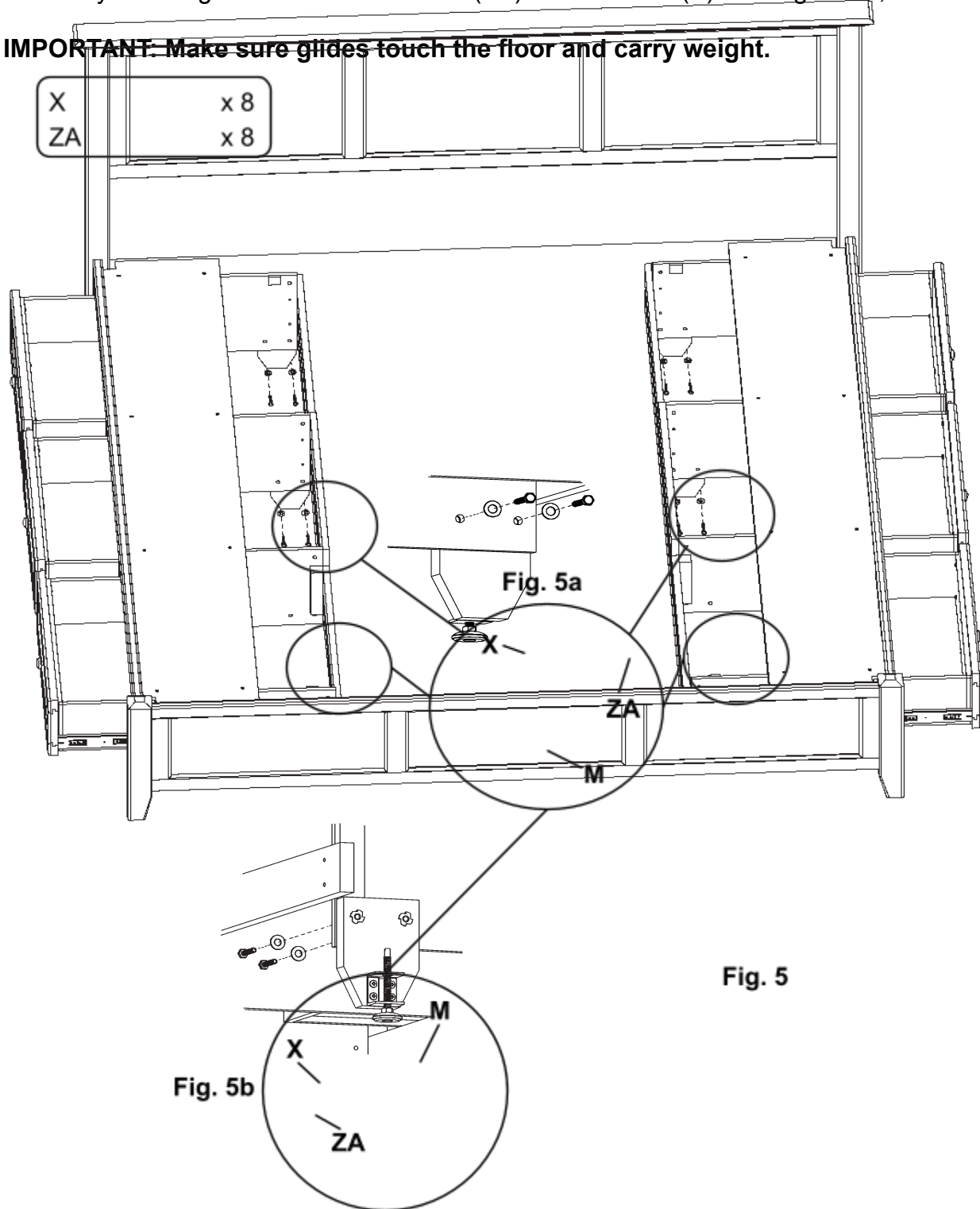
**2801 McKenzie Full Classic Bed**  
**2817 McKenzie Full Classic Storage Bed**

**Assembly Instructions**

This assembly requires two people.

5. Open all six drawers and face the headboard. Place and align over the predrilled holes an assembled foot (M) on the backside of the first and second braces nearest the headboard. Attach by inserting 1/4" x 1-1/2" hex bolts (ZA) and washers (X). See figures 5, 5a and 5b.

**IMPORTANT: Make sure glides touch the floor and carry weight.**

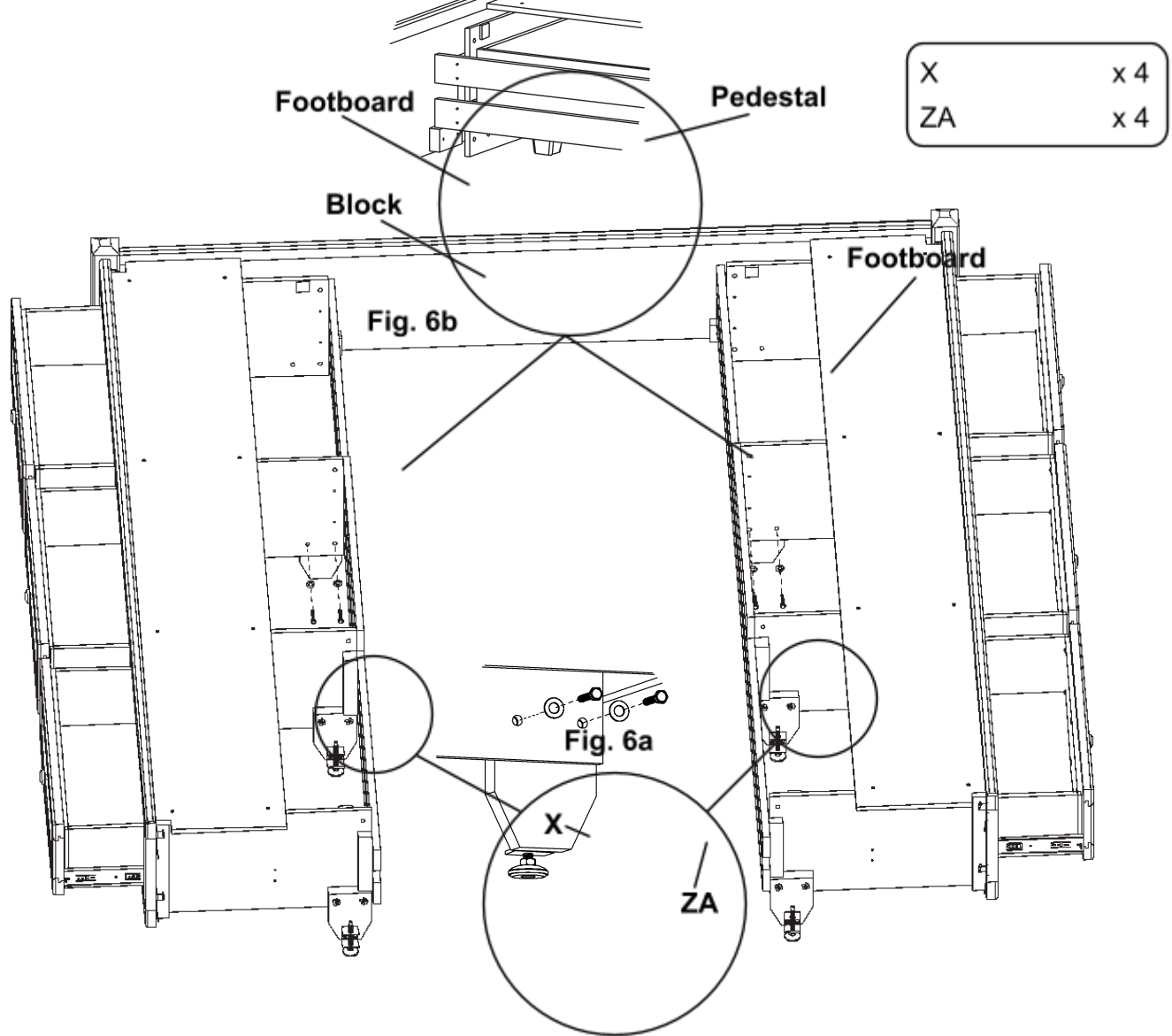


**2801 McKenzie Full Classic Bed**  
**2817 McKenzie Full Classic Storage Bed**

**Assembly Instructions**

This assembly requires two people.

6. Face the footboard. Do not attach assembled feet to the braces nearest the footboard. There are blocks on the backside of the footboard to support the drawer pedestals. Place and align over the predrilled holes in the brace an assembled foot (M) on the backside of the third brace. Attach by inserting 1/4" x 1-1/2" hex bolts (ZA) and washers (X). See figures 6, 6a and 6b.



**Fig. 6**

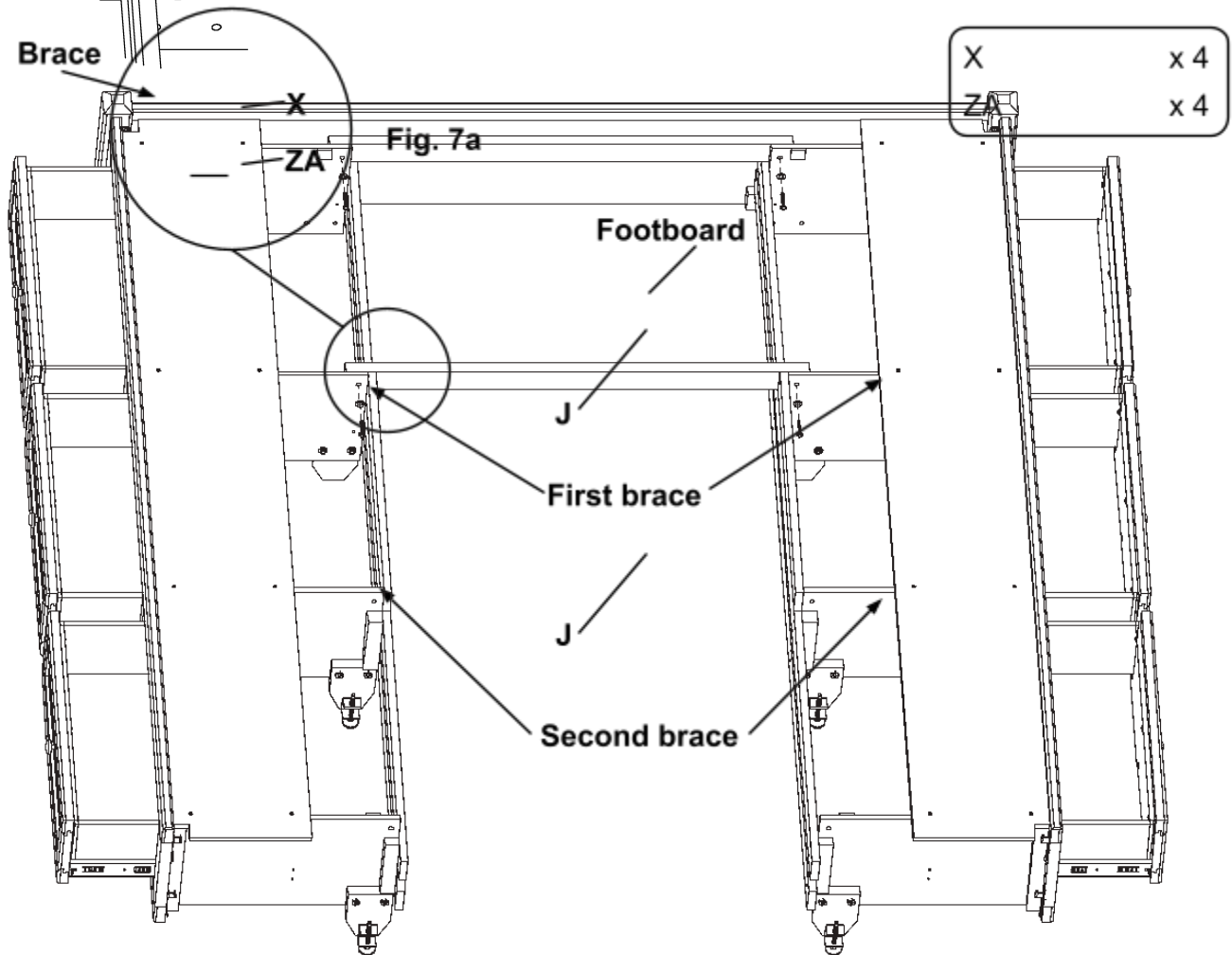
**Headboard removed for illustration purposes.**

**2801 McKenzie Full Classic Bed**  
**2817 McKenzie Full Classic Storage Bed**

**Assembly Instructions**

This assembly requires two people.

7. Open the drawers. Face the Footboard and stand in between the first and second braces. Place a Trestle with T-Nuts (J) on the outside surfaces of the first upper left and right braces so that the T-Nuts (Y) sit near the top. See Figure 7a. Line up the upper edges of the trestle and braces so they are nearly flush. Insert two 1/4" x 1-1/2" Hex Bolts (ZA) and Washers (X) and tighten. Repeat for the second upper brace. See Figures 7 and 7a.



**Fig. 7**

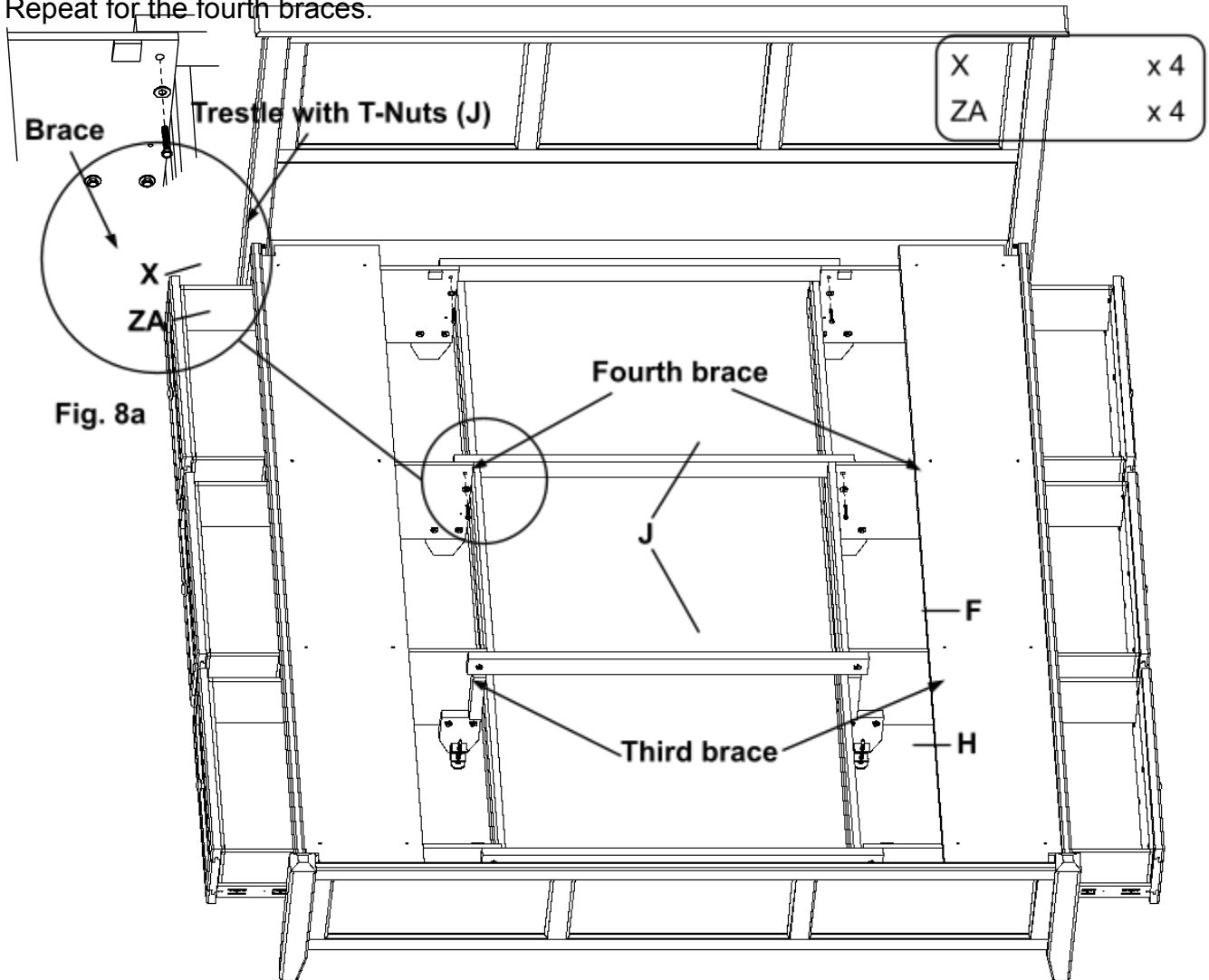
**Headboard removed for illustration purposes.**

**2801 McKenzie Full Classic Bed**  
**2817 McKenzie Full Classic Storage Bed**

*Assembly Instructions*

This assembly requires two people.

8. Face the Headboard and stand in between the third and fourth braces. Place a Trestle with T-Nuts (J) on the outside surfaces of the third **upper** left and right braces so the T-nuts sit near the top. See Figures 8 and 8a. Line up the upper edges of the trestle and braces so they are nearly flush. Insert two 1/4" x 1-1/2" Hex Bolts (ZA) and Washers (X) and tighten. Repeat for the fourth braces.

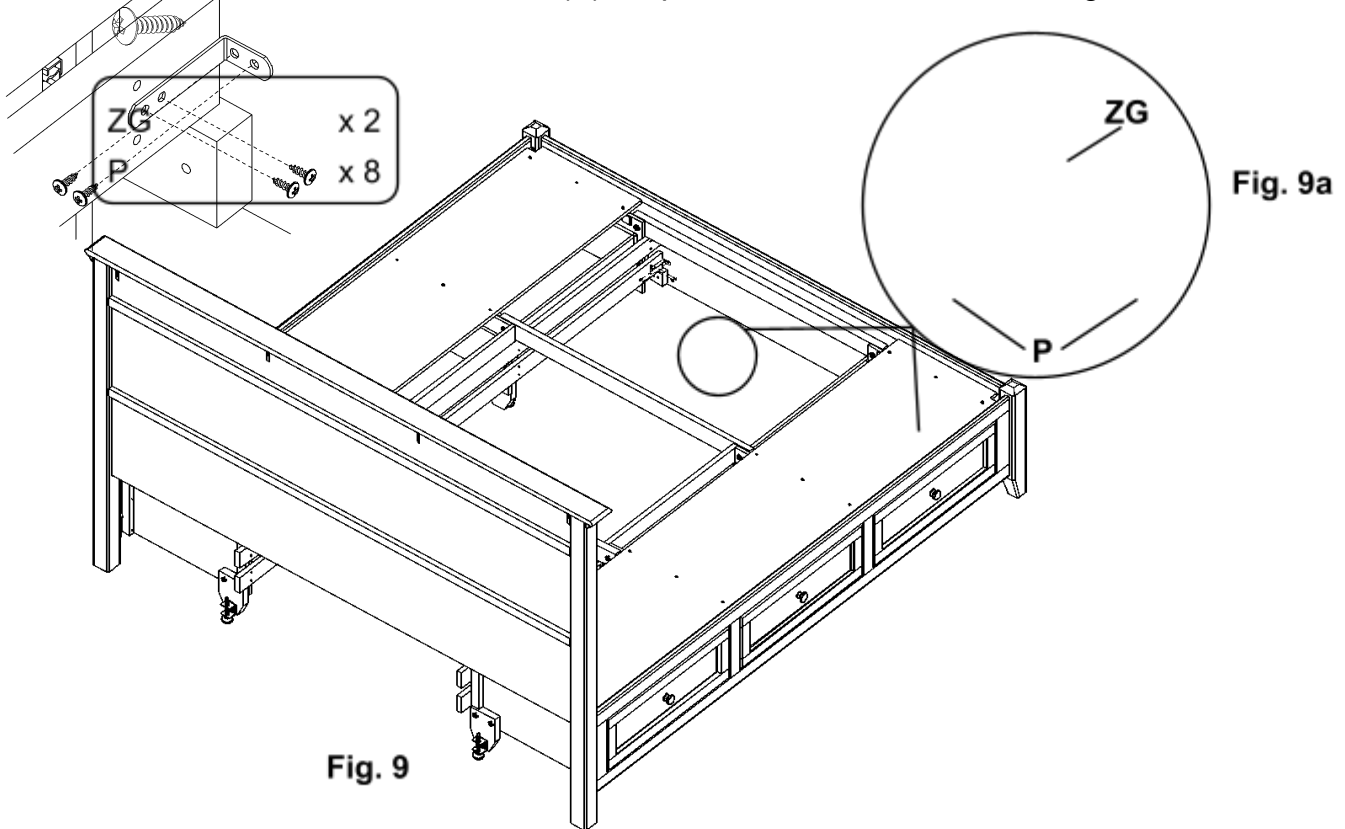


**Fig. 8**

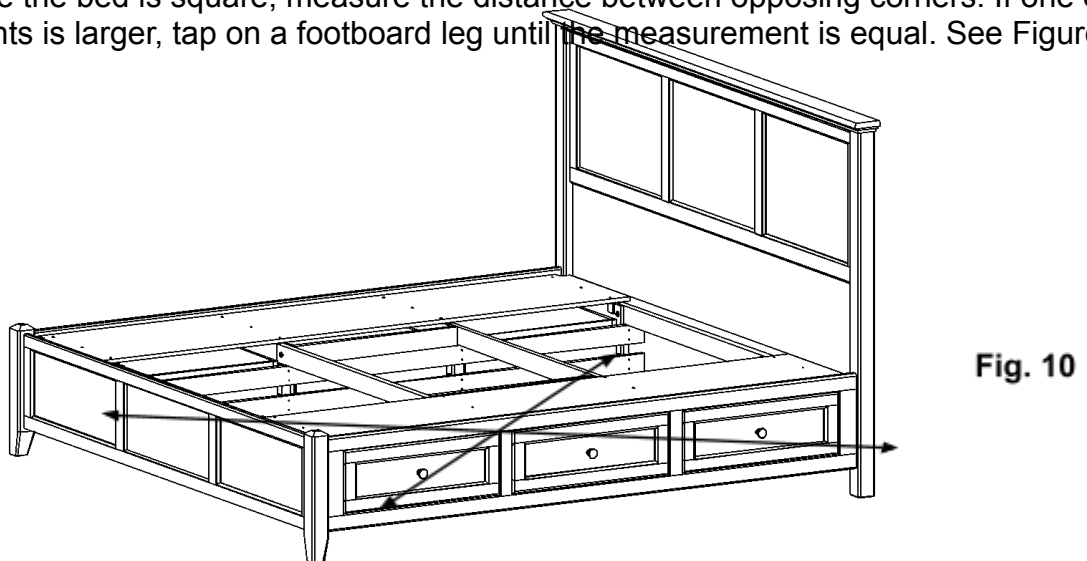
**2801 McKenzie Full Classic Bed**  
**2817 McKenzie Full Classic Storage Bed**  
**Assembly Instructions**

This assembly requires two people.

9. Facing the Footboard, attach the Pedestal Assembly to the Footboard with a 90° Bracket (ZG) and four #6 x 1/2" Philtruss Screws (P). Repeat for the other side. See Figures 9 and 9a.



10. To make sure the bed is square, measure the distance between opposing corners. If one of the measurements is larger, tap on a footboard leg until the measurement is equal. See Figure 10.



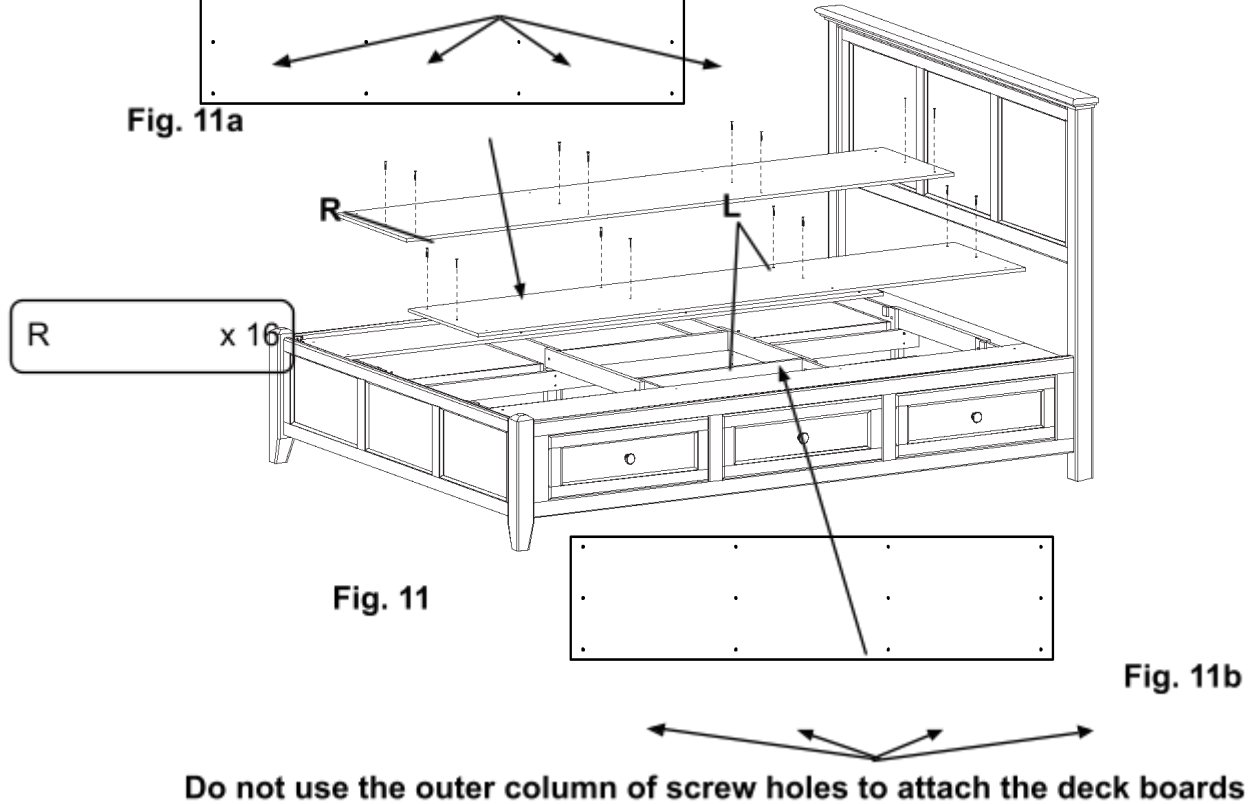
**2801 McKenzie Full Classic Bed**  
**2817 McKenzie Full Classic Storage Bed**

**Assembly Instructions**

This assembly requires two people.

11. Place the Left/Right Center Deckboards (L) as shown in Figures 11, 11a, 11b and secure with eight #8x1-1/4" Black Screws (R). There should be a small gap between each deckboard.

**Do not use the outer column of screw holes to attach the deck boards**



**This concludes the assembly process for McKenzie Full Classic Storage Bed, if you have purchased a McKenzie Full Classic Bed please refer to the instructions beginning on page 14.**

**2801 McKenzie Full Classic Bed**  
**2817 McKenzie Full Classic Storage Bed**

**Assembly Instructions**

This assembly requires two people.

12. Position the Footboard Supports (F) over the blocks that are mounted onto the back side of the Footboard (B) and attach with four #10 x 2" Pan Head Screws (ZI) through the pre-drilled holes in the slat supports and into the location punches on the blocks. See Figure 12.

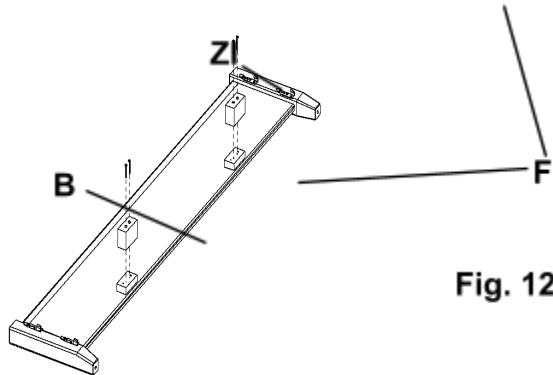
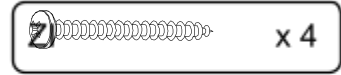


Fig. 12

13. To attach the Footboard (B) to the Side Rail (C), align the Brackets and slide the Side Rail (C) to the Footboard (B). See Figures 13 and 13a.

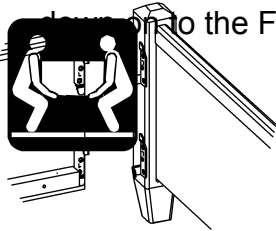


Fig. 13a

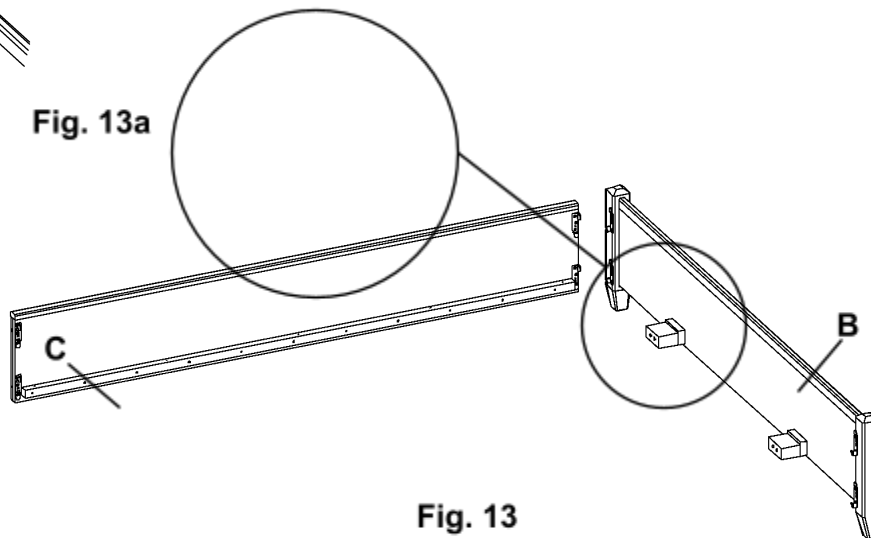
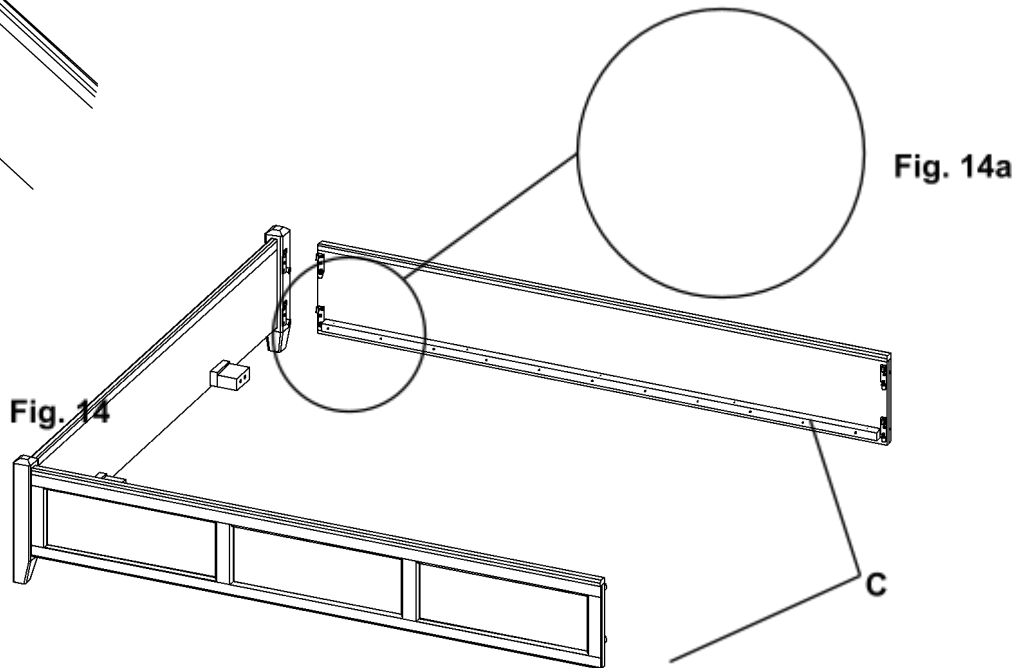
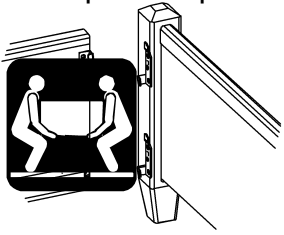


Fig. 13

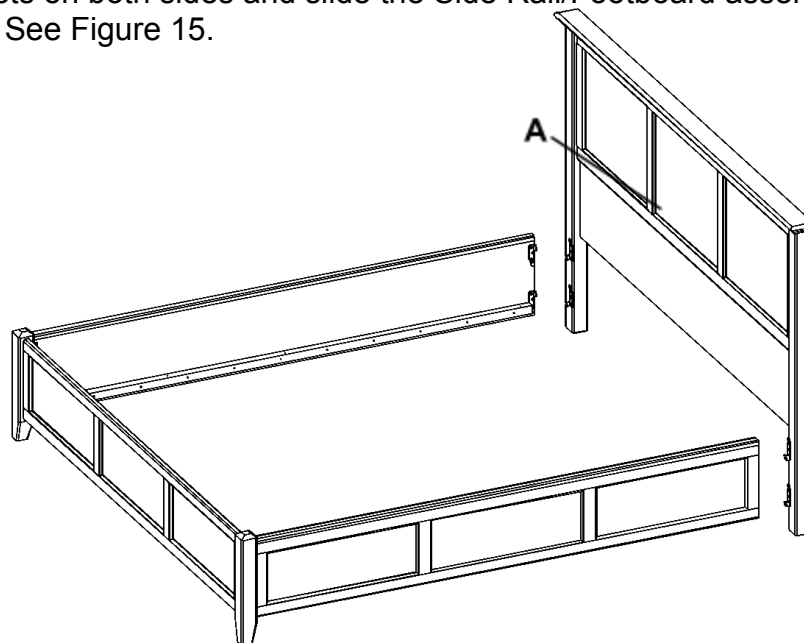
**2801 McKenzie Full Classic Bed**  
**2817 McKenzie Full Classic Storage Bed**  
**Assembly Instructions**

This assembly requires two people.

14. Repeat step two for the other side. See Figures 14 and 14a.



15. Align the Brackets on both sides and slide the Side Rail/Footboard assembly down on to the headboard (A). See Figure 15.

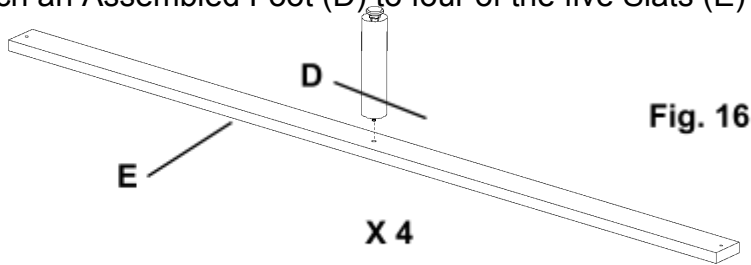


**Fig. 15**

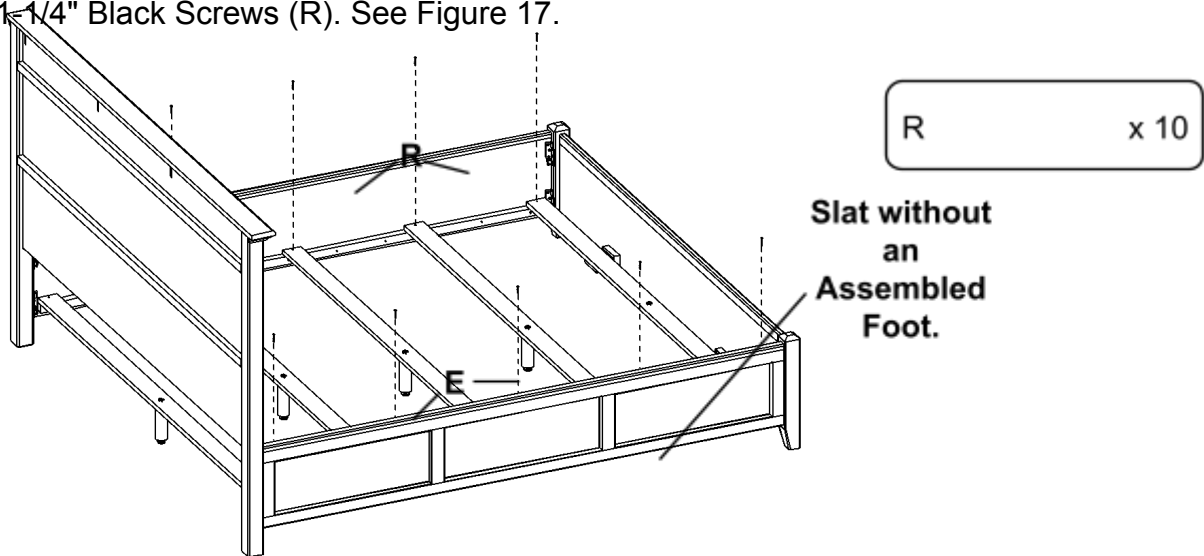
**2801 McKenzie Full Classic Bed**  
**2817 McKenzie Full Classic Storage Bed**  
**Assembly Instructions**

This assembly requires two people.

16. Attach an Assembled Foot (D) to four of the five Slats (E) as shown in Figure 16.



17. Move the bed assembly to its final position. Position the Slats (E) on the bottom edges of the rails and place the slat without the Assembled Foot nearest to the Footboard. Attach with #8 x 1-1/4" Black Screws (R). See Figure 17.



18. Adjust the Adjustable Glides with Hex Nut (ZJ) on the Assembled Feet (D) so the Glides (ZJ) touch the floor, making sure the Assembled Feet bear weight.

