

Model #

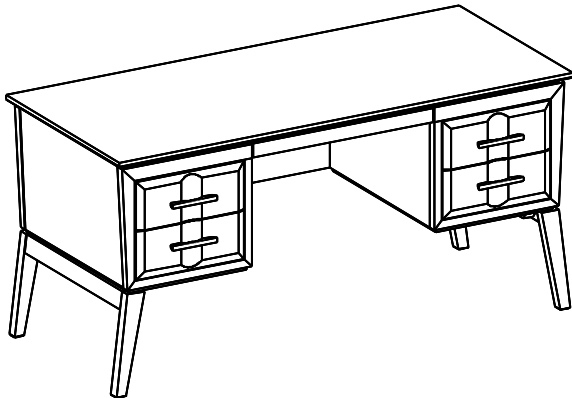
2441DUET

Addison

4-Drawer Desk

DUET finish

Assembly Instructions



Thank you for allowing us to help you furnish your home. We are certain you will be delighted with your new furniture for many years to come.

IMPORTANT NOTES:

- For normal household use only. *Not* recommended for commercial use.
- Do not climb, sit or stand on this piece of furniture.
- Use a protective pad when you use the top of this piece as a writing surface.
- Do not overload the drawers.
- Unload items before you move this unit.
- This assembly requires two people.

WARNING

Drilling, sawing, sanding or machining wood products can expose you to wood dust, a substance known to the state of California to cause cancer. Avoid inhaling wood dust or use a dust mask or other safeguards for personal protection.

For more information go to: www.p65warnings.ca.gov/wood

This product can expose you to chemicals, including formaldehyde, which are known to the State of California to cause cancer.

For more information go to: www.p65warnings.ca.gov/furniture

DESIGN SUBJECT TO CHANGE WITHOUT NOTICE.

CUSTOMER SERVICE

If you ever have questions about your furniture, please do not hesitate to contact us. In the unlikely event you need a replacement part; we can make those parts available through an authorized Whittier Wood Furniture dealer. If you cannot order replacement parts through your dealer, please contact our customer service department.

Hours: Our friendly customer service staff can be reached:

Monday-Friday 8:00 a.m. to 5:00 p.m. (Pacific Time).

You may leave a message 24 hours a day, seven days a week.

Customer Service: 800-653-3336 • **Outside the U.S.:** 541-687-0213

Fax: 541-687-2060 • **Email:** info@whittierwood.com

**Whittier
Wood**
FURNITURE

P.O. Box 2827
Eugene, OR 97402 USA

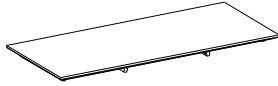
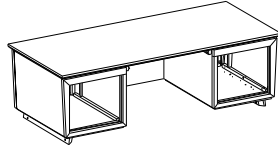
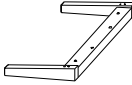
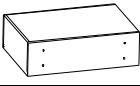

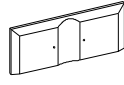
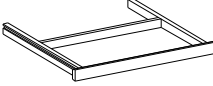
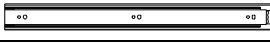



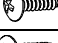
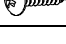
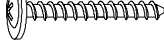
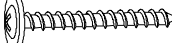
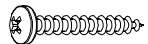
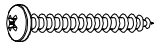
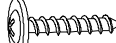
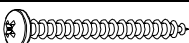



Production Code :

VN

06/26

2441DUET Addison 4-Drawer Desk Assembly Instructions

Please identify the parts and check that quantities received match those on this list.
If you need to replace a part, refer to the following letter and part name.

Part	Description	Quantity
A	24418001 Top Assembly 	1
B	24416001 Case Assembly 	1
C	24413811 Leg Frame Assembly 	2
D	24014401 Drawer Box (inserted) 	2
E	24414421 File Drawer Box (inserted) 	1
F	24412531 Drawer Face (inserted) 	4
G	24414881 Keyboard Drawer (inserted) 	1
H	9501584 20" Drawer Slides (pre-installed sets) 	3
I	9501791 Aluminum File Rail 	2
J	9501841 #6 x 3/4" Philtruss Screw (inserted) 	18
K	9501876 Plastic File Rail (attached) 	2
L	9502122 #6 x 1/2" Philtruss Screw (inserted) 	18
M	9502141 #6 x 5/8" Philtruss Screw (inserted) 	6
N	9502211 #8 x 1-1/8" Lo-Profile Screw (inserted) 	6
O	9502261 #8 x 1-3/8" Lo-Profile Screw (inserted) 	25
P	9502311 #8 x 1" Pan Head Screw (inserted) 	4
Q	9502321 #8 x 1-1/4" Pan Head Screw (inserted) 	38
R	9502331 #8 x 7/8" Black Lo-Profile Screw (inserted) 	64
S	9502361 #8 x 1-3/4" Pan Head Screw (inserted) 	6
T	9502451 #8 x 3" Pan Head Screw (inserted) 	14
U	9502821 #8 x 1-5/8" Machine Screw Tuscan (installed) 	8
V	9506041 1/4" Flat Washer 	8

2441DUET Addison 4-Drawer Desk Assembly Instructions

Part		Description	Quantity
W	9506467	5/16" x 2" Hex Bolt 	8
X	9506501	1/4" x 20mm Insert Nut (inserted) 	4
Y	9506661	5/16" x 14mm Insert Nut (inserted) 	8
ZA	9506675	Straight Hex Wrench 5mm (included) 	1
ZB	9506681	5/32" x 10mm Insert Nut (inserted) 	8
ZC	9507692	Black Walnut Pull (attached) 	4
ZD	9508864	Slotted Leveler (installed) 	4
ZE	9509132	Leveler Adjustment Key (attached to Owners Manual) 	1
ZF	9509243	Z Hex Wrench 5mm (included) 	1

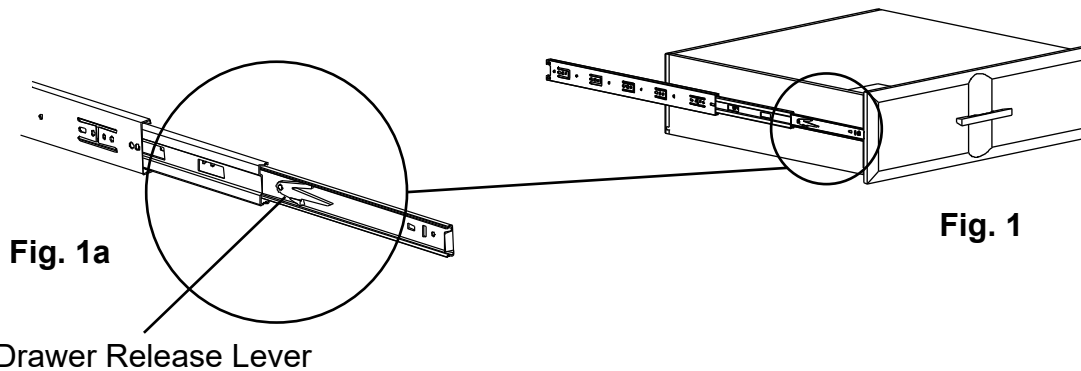
2441DUET Addison 4-Drawer Desk

Assembly Instructions

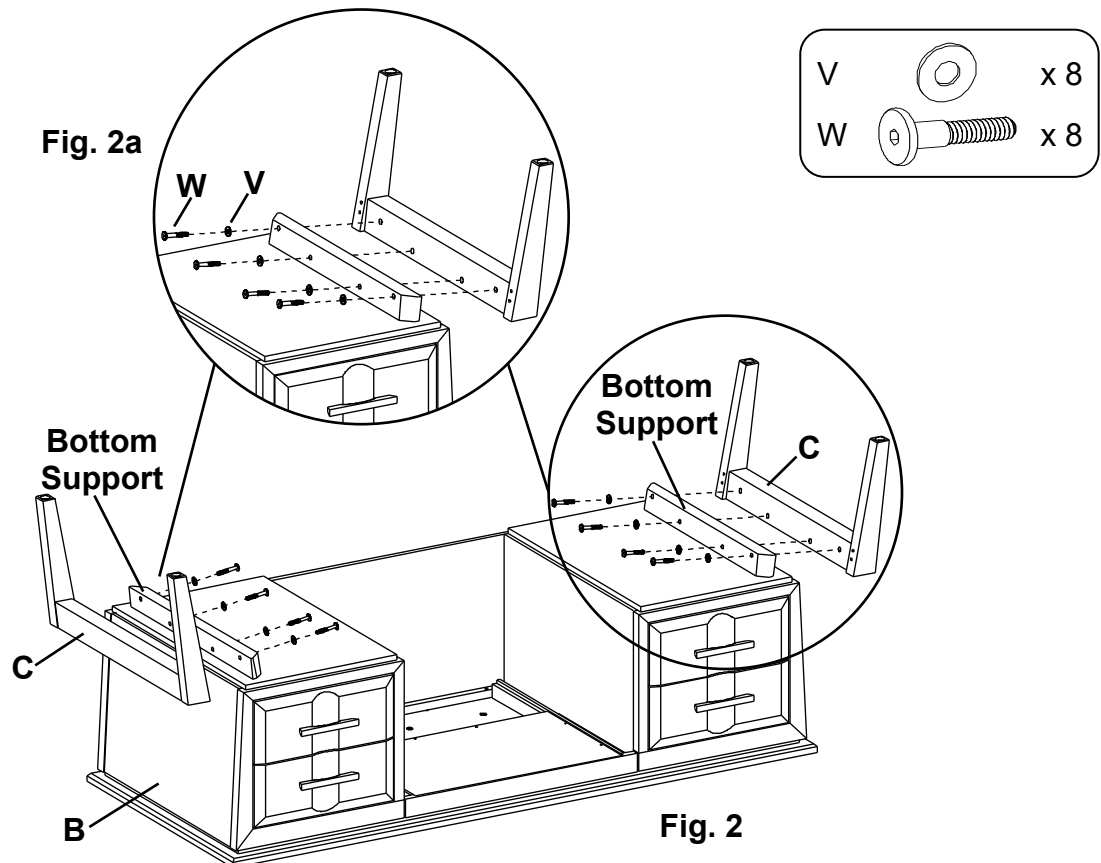
Tools Required: 9/16" or Adjustable Wrench

Tool Provided: Leveler Adjustment Key in the Zip bag taped to the Owner's Manual and Safety Guide.

1. Remove the drawers from the Case Assembly (B). To do that, pull up on the left Drawer Release Lever while pushing down on the right Drawer Release Lever and pull out the drawer. See Figure 1a. Note where each drawer came from to make sure you place them back into their correct positions.



2. Turn the Case Assembly (B) upside-down on a clean protected surface. (Be careful not to engage the touch/spring latch on the pull-out writing surfaces.) Place a Leg Frame Assembly (C) at each bottom support below the Case Assembly (B). Insert eight 5/16" x 2" Hex Bolts (W) with eight 1/4" Flat Washers (V) through the bottom supports and into the Leg Frame Assemblies (C). Fasten securely. See Figures 2 and 2a.



2441DUET Addison 4-Drawer Desk

Assembly Instructions

3. Turn the Desk upright and insert the Drawers. Place the desk at its final destination. Use the Leveler Adjustment Key (ZE), found in the Zip bag taped to the Owner's Manual and Safety Guide to rotate the Slotted Levelers (ZD) on the bottoms of the legs until the desk is level. See Figures 3 and 3a.



Fig. 3

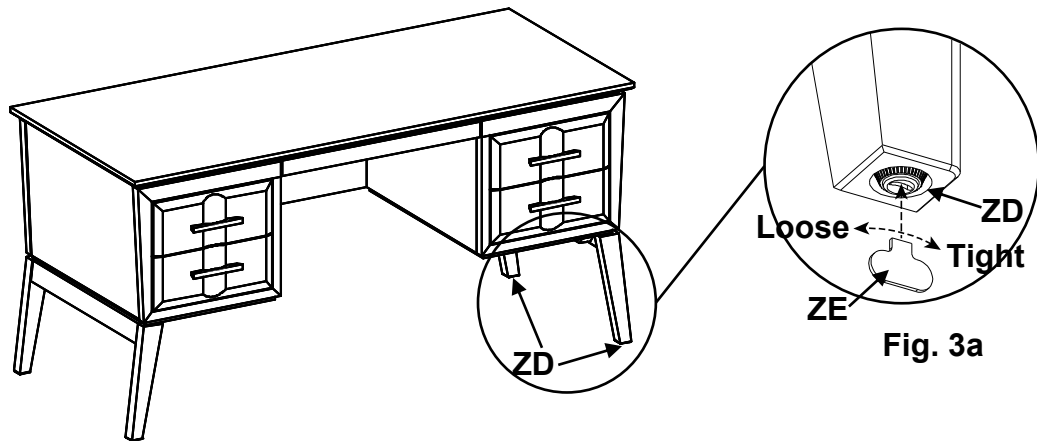


Fig. 3a

4. Hang your letter-sized hanging folders either parallel or perpendicular to the front of the drawer. Legal-sized folders must hang perpendicularly. If you do not hang your files perpendicularly, store the Aluminum File Rails (I) to use in the future. To hang your files perpendicularly, remove the Plastic File Rails (K). See Figures 4 and 4a. There are slots on the sides of the drawers. Insert an Aluminum File Rail (I) into the slots nearest to the Drawer Face (F). Insert another Aluminum File Rail (I) into the second set of notches for letter-sized folders or the third set of notches to hang legal-sized folders. See Figures 4b and 4c.

(To hang letter-sized files parallel to the drawer face.)



Fig. 4

Fig. 4a

(To hang letter-sized files perpendicularly.)

(To hang legal-sized files perpendicularly.)

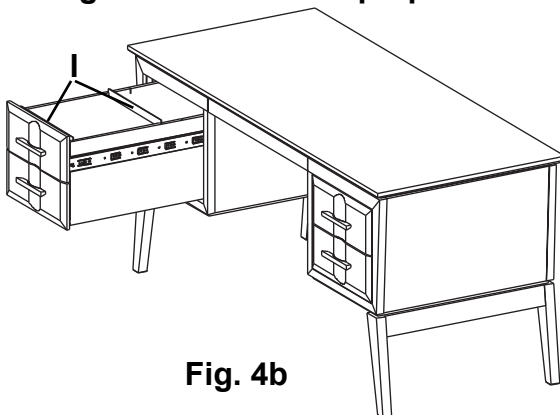


Fig. 4b

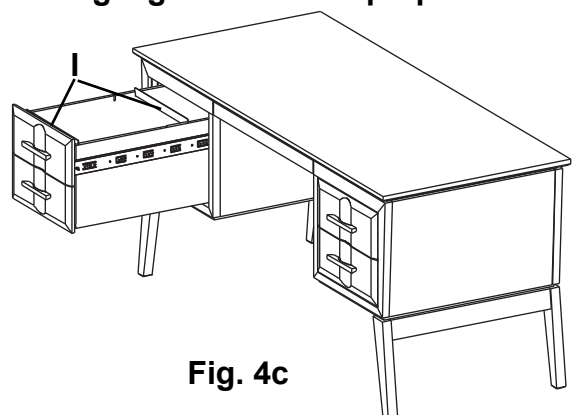


Fig. 4c

5. Use a protective pad when you use the top of this piece as a writing surface.