

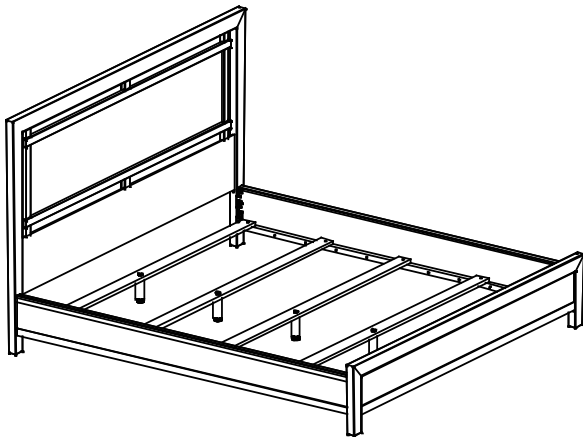
Ellison Panel Beds

AST = Astoria Sky finish
Assembly Instructions

Model #

2210ASTb
Ellison Queen Panel Bed

2213ASTb
Ellison King Panel Bed



Thank you for allowing us to help you furnish your home. We are certain you will be delighted with your new furniture for many years to come.

IMPORTANT NOTES:

- For normal household use only. *Not* recommended for commercial use.
- Remove items before you move this unit.
- This assembly requires two people.

WARNING

Drilling, sawing, sanding or machining wood products can expose you to wood dust, a substance known to the state of California to cause cancer. Avoid inhaling wood dust or use a dust mask or other safeguards for personal protection.

For more information go to: www.p65warnings.ca.gov/wood

This product can expose you to chemicals, including formaldehyde, which are known to the State of California to cause cancer. For more information go to: www.p65warnings.ca.gov/furniture

DESIGN SUBJECT TO CHANGE WITHOUT NOTICE.

CUSTOMER SERVICE

If you ever have questions about your furniture, please do not hesitate to contact us. In the unlikely event you need a replacement part; we can make those parts available through an authorized Whittier Wood Furniture dealer. If you cannot order replacement parts through your dealer, please contact our customer service department.

Hours: Our friendly customer service staff can be reached:

Monday-Friday 8:00 a.m. to 5:00 p.m. (Pacific Time).

You may leave a message 24 hours a day, seven days a week.

Customer Service: 800-653-3336 • **Outside the U.S.:** 541-687-0213

Fax: 541-687-2060 • **Email:** info@whittierwood.com

Whittier
Wood
FURNITURE

P.O. Box 2827
Eugene, OR 97402 USA

Production Code:

VN

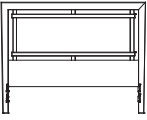


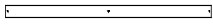

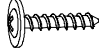
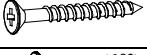






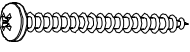
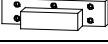

02/24

**2210ASTb Ellison Queen Panel Bed
2213ASTb Ellison King Panel Bed**
Parts List

Please note this Assembly Instruction is for all four beds. Please identify the bed part number when ordering parts.





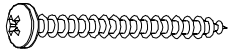
Please identify the parts and check that the quantities received match those on this list. If you need to replace a part, refer to the model number, part letter and name.

**2211ASTb Queen Panel Headboard/Footboard Kit (x1)
2214ASTb King Panel Headboard/Footboard Kit (x1)**

Part	Description	Quantity	
		2211ASTb	2214ASTb
Ab	Headboard Assembly 	1	1
Ba	Footboard Assembly 	1	1
C	Assembled Foot 	4	4
D	Slat 	5	5
E	Adjustable Glide with Hex Nut (installed) 	4	4
F	#8 x 7/8" Black Lo-Profile Screw (inserted) 	14	16
G	#8 x 1-1/4" Black Screw 	12 (2 inserted)	12 (2 inserted)
I	#8 x 1" Black Screw (inserted) 	36	36
J	1/4" T-Nut (inserted) 	5	5
K	5/16" x 3/4" Insert Nut (inserted) 	4	4
L	1/4" x 45mm Hanger Bolt (inserted) 	4	4
M	Small Left Bed Bracket (attached) 	4	4
N	Small Right Bed Bracket (attached) 	4	4
S	#10 x 2" Pan Head Screw (inserted) 	5	5
T	Footboard Support Assembly (attached) 	1	1
U	#8 x 2" Black Screw (inserted) 	2	2

2210ASTb Ellison Queen Panel Bed
2213ASTb Ellison King Panel Bed
Parts List

2212ASTa Queen/King Panel Rail Kit (x1)

Part	Description	Quantity
M	Small Left Bed Bracket (attached) 	4
N	Small Right Bed Bracket (attached) 	4
Oa	Side Rail 	2
P	#8 x 5/8" Flat Head Screw (inserted) 	24
S	#10 x 2" Pan Head Screw (inserted) 	22

2210ASTb Ellison Queen Panel Bed
2213ASTb Ellison King Panel Bed
Assembly Instructions

This assembly requires two people.

Tools Required: Phillips screwdriver

1. Remove the Slats (D) from the back of the Headboard (Ab) and place them off to the side. See Figure 1.

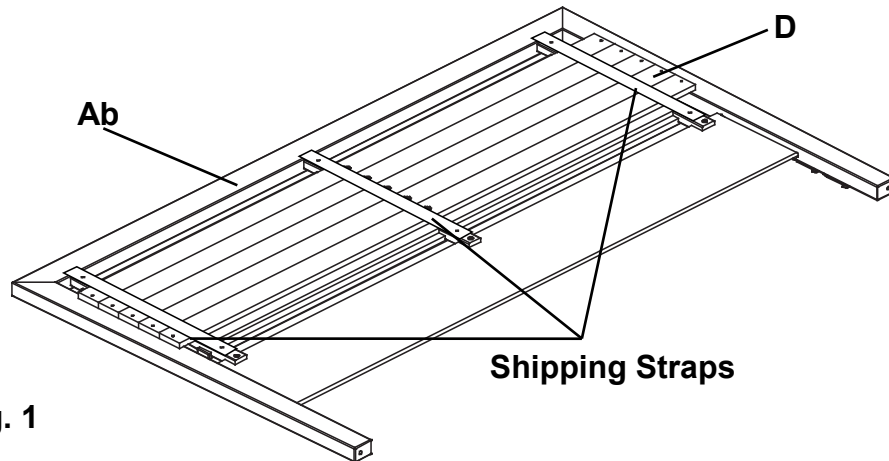


Fig. 1

2. To attach the Footboard (Ba) to the Side Rail (Oa), align the Brackets and slide the Side Rail (Oa) down on to the Footboard (Ba). See Figures 2 and 2a.

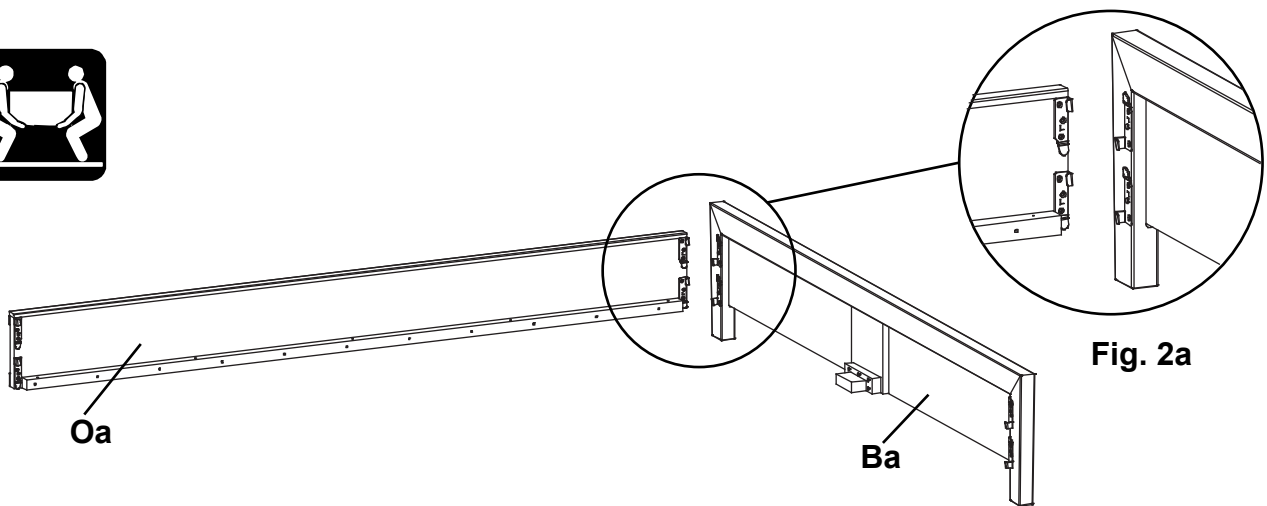


Fig. 2

Fig. 2a

2210ASTb Ellison Queen Panel Bed
2213ASTb Ellison King Panel Bed
Assembly Instructions

This assembly requires two people.

3. Repeat step two for the other side. See Figures 3 and 3a.

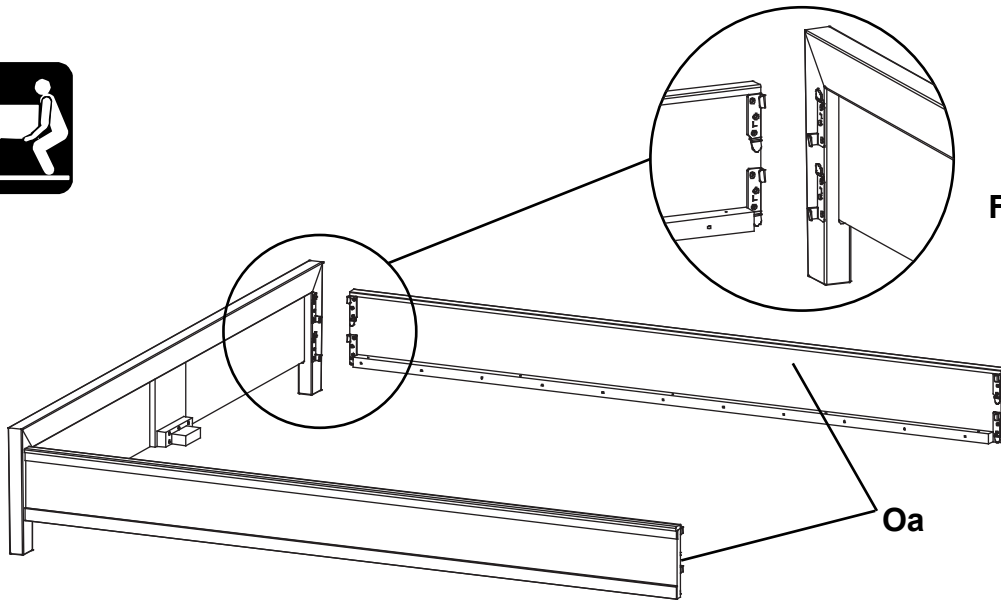


Fig. 3

4. Align the Brackets on both sides and slide the Side Rail/Footboard assembly down on to the Headboard (Ab). See Figure 4.

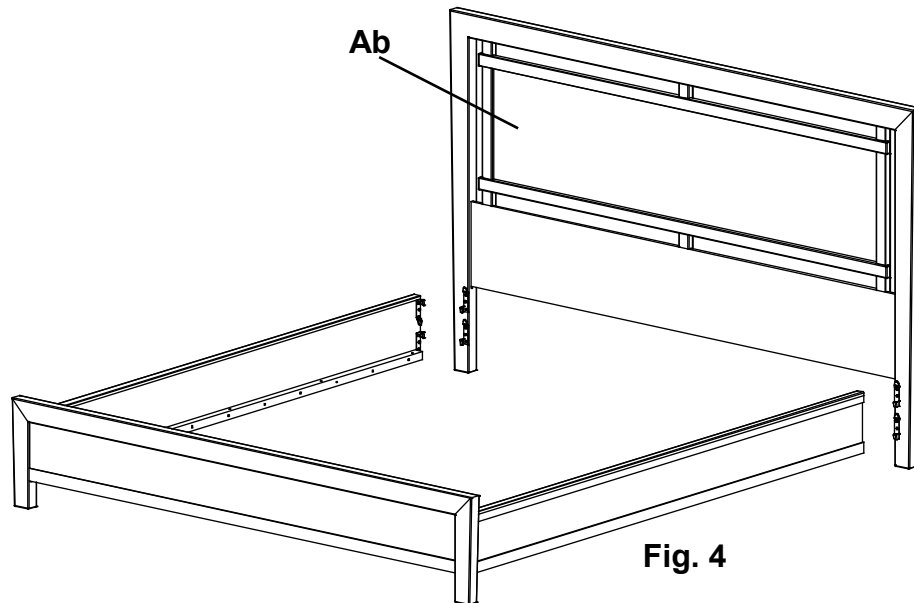
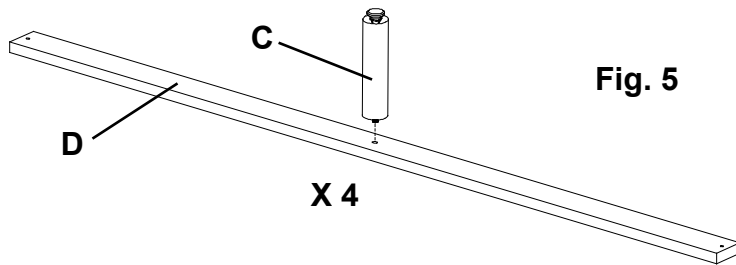


Fig. 4

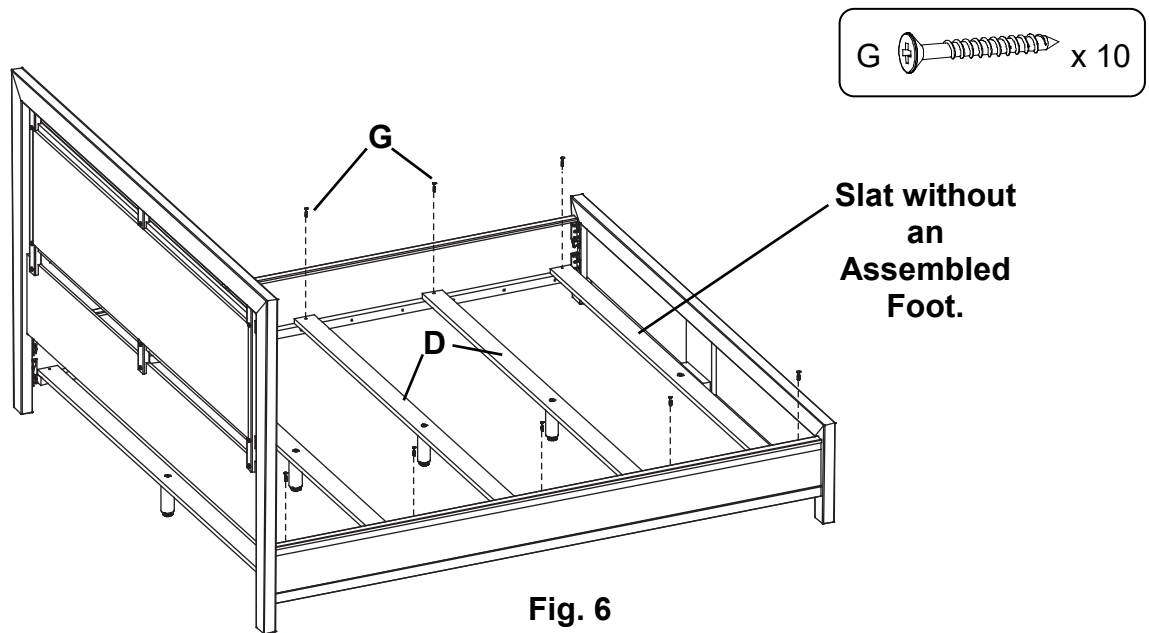
2210ASTb Ellison Queen Panel Bed
2213ASTb Ellison King Panel Bed
Assembly Instructions

This assembly requires two people.

5. Attach an Assembled Foot (C) to four of the five Slats (D) as shown in Figure 5.



6. Move the bed assembly to its final position. Position the Slats (D) on the bottom edges of the rails and place the slat without the Assembled Foot nearest to the Footboard. Attach with #8 x 1-1/4" Black Screws (G). See Figure 6.



7. Adjust the Adjustable Glides with Hex Nut (E) on the Assembled Feet (C) so the Glides (E) touch the floor, making sure the Assembled Feet bear weight.

