

1509 McKenzie Alder Bookcase Corner Connector

Assembly Instructions



1522 and 1542
Bookcases used for
illustration purposes

Thank you for allowing us to help you furnish your home. We are certain you will be delighted with your new furniture for many years to come.

IMPORTANT NOTES:

- This assembly requires two people.
- For normal household use only. *Not* recommended for commercial use.
- Do not climb, sit or stand on this piece of furniture.
- Do not overload the shelves.
- Unload items before you move this unit.
- Before you load or move this unit, tighten all screws and supports.
- Before you begin your project, completely read the Assembly Instructions.
- Periodically inspect your furniture for any loose glue joints, screws or any other problem that might affect the stability of your furniture. Tighten or repair as needed.

WARNING

Children have died from furniture tipover. To reduce the risk of furniture tipover:

- ALWAYS install tipover restraint provided.
- NEVER put a TV on this product.
- NEVER allow children to stand, climb or hang on doors, or shelves.
- Place heaviest items on the bottom shelves.

Use of tipover restraints may only reduce, but not eliminate, the risk of tipover.

Attention: Attached to the bottom of or included with this unit is a tipping restraint kit. When you receive your furniture, be sure to find and install the tipping restraint as instructed in the kit. If you cannot locate the restraint, please contact customer service immediately for replacement.

Drilling, sawing, sanding or machining wood products can expose you to wood dust, a substance known to the state of California to cause cancer. Avoid inhaling wood dust or use a dust mask or other safeguards for personal protection.

For more information go to: www.p65warnings.ca.gov/wood

This product can expose you to chemicals, including formaldehyde, which are known to the State of California to cause cancer.

For more information go to: www.p65warnings.ca.gov/furniture

DESIGN SUBJECT TO CHANGE WITHOUT NOTICE.

CUSTOMER SERVICE

If you ever have questions about your furniture, please do not hesitate to contact us. In the unlikely event you need a replacement part; we can make those parts available through an authorized Whittier Wood Furniture dealer. If you cannot order replacement parts through your dealer, please contact our customer service department.

Hours: Our friendly customer service staff can be reached: **Monday-Friday 8:00 a.m. to 4:00 p.m. (Pacific Time).**

You may leave a message 24 hours a day, seven days a week.

Customer Service: 800-653-3336 • **Outside the U.S.:** 541-687-0213

Fax: 541-687-2060 • **Email:** info@whittierwood.com

**Whittier
Wood**
FURNITURE

P.O. Box 2827
Eugene, OR 97402 USA

Production Code:

1509 McKenzie Alder Bookcase Corner Connector — Parts List

Before you begin to assemble this unit, identify each part and make sure the quantities received match what is on this list.

If you need to replace a part, please refer to the following list for the finish, part name and letter code.

Bookcase Finish

Please note the finish of the bookcase for replacement part orders.
Bookcase finish options are subject to change.

Stain

GAC	Glazed Antique Cherry	JAV	Java	FST	Fieldstone	HAZ	Hazelnut	NAT	Natural Alder	PEC	Pecan
------------	-----------------------	------------	------	------------	------------	------------	----------	------------	---------------	------------	-------

Paint

SNW	Snowbound SW 7004
------------	-------------------

TBK	Tricorn Black SW 6258
------------	-----------------------



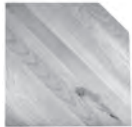

Two-Tone

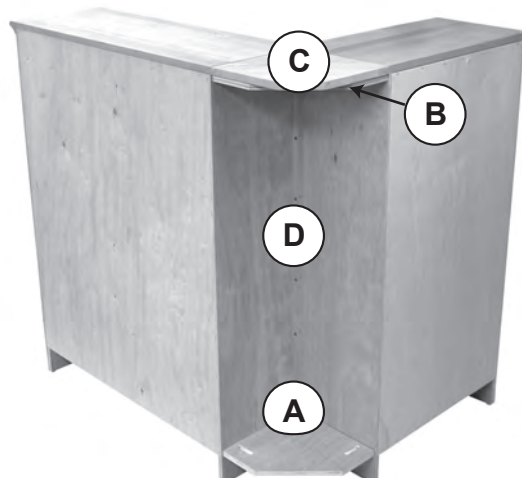
SNN	Snowbound SW 7004 Natural Alder
------------	------------------------------------

TBN	Tricorn Black SW 6258 Natural Alder
------------	--

Unfinished

AUF	
------------	--

Part	Description	Quantity (by Bookcase Height)					
		29"H	36"H	48"H	60"H	72"H	84"H
A	Lower Corner Brace 				1		
B	Upper Corner Brace 				1		
C	Top 				1		
D	Cleat (attached)				1		
G	#8 x 1-1/4" Pan Head Screw (Quantity/Attached) 	20/4	24/6	28/8	32/10	36/12	40/14



1542 and 1522
Bookcases used for
illustration purposes

1509 McKenzie Alder Bookcase Corner Connector — Assembly Instructions

Tools Required: Phillips Screwdriver, Pencil, Rubber Mallet or Padded Hammer

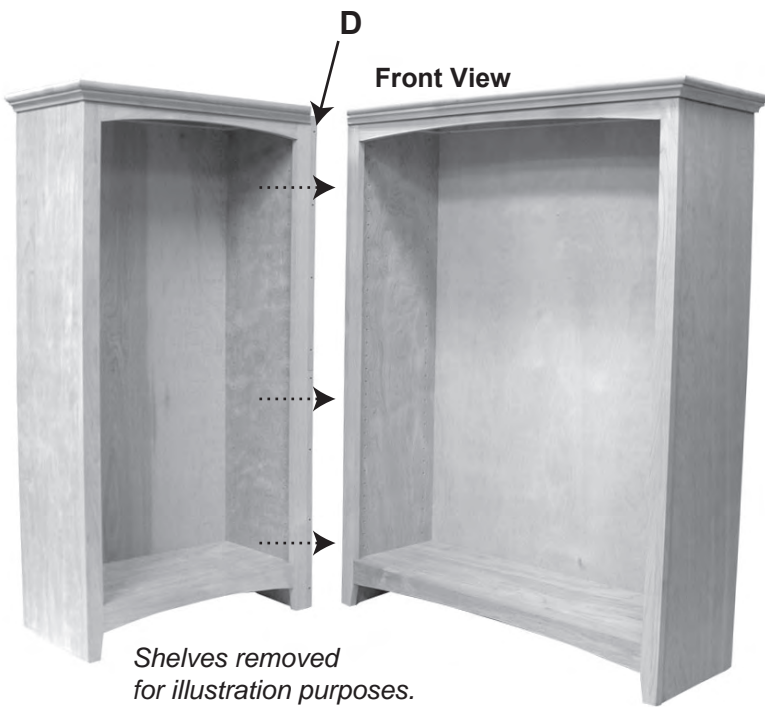


Fig. 1

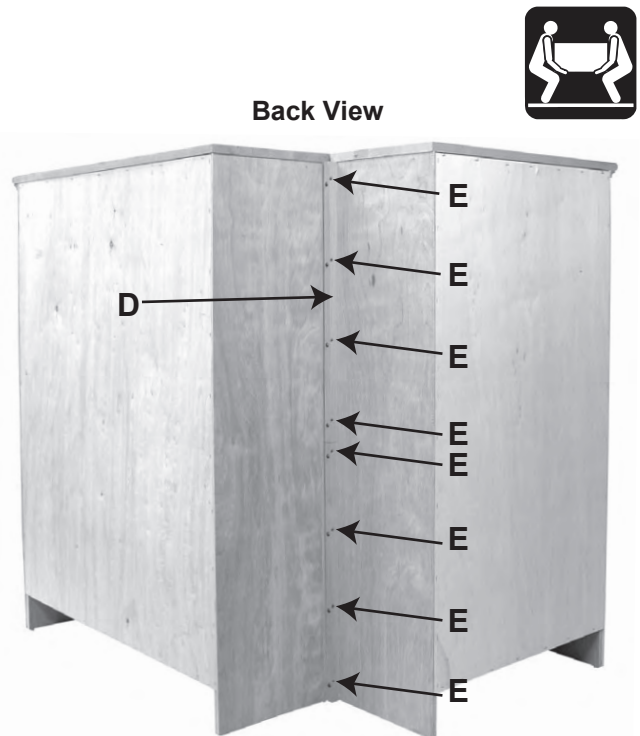
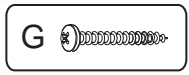


Fig. 1a



1. Move the bookcase with the attached Cleat (D) and align the predrilled holes in the cleat with the predrilled holes in the side of the second bookcase. Attach using #8 x 1-1/4" Pan Head Screws (E). See Figures 1 and 1a.

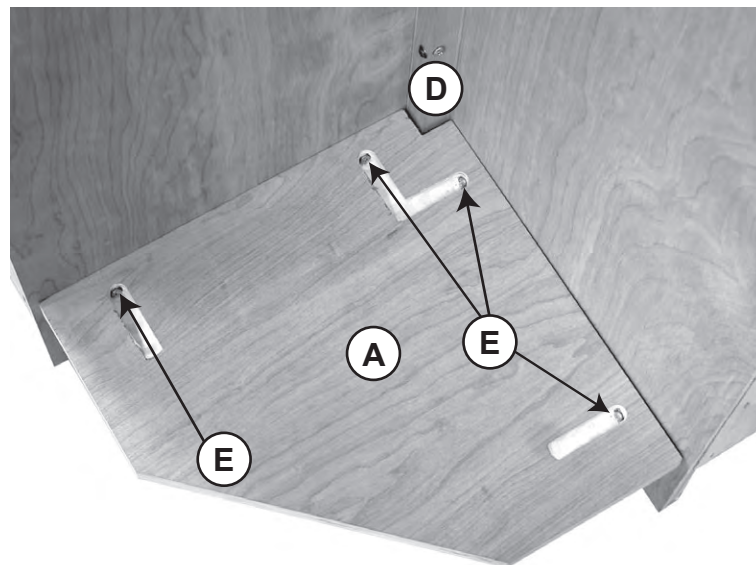


Fig. 2



2. Making sure the pocket-drilled holes face up, align the holes in the Lower Corner Brace (A) to the predrilled holes in the sides of the bookcases. Attach with four #8 x 1-1/4" Pan Head Screws (E). See Figure 2.

G  x 4

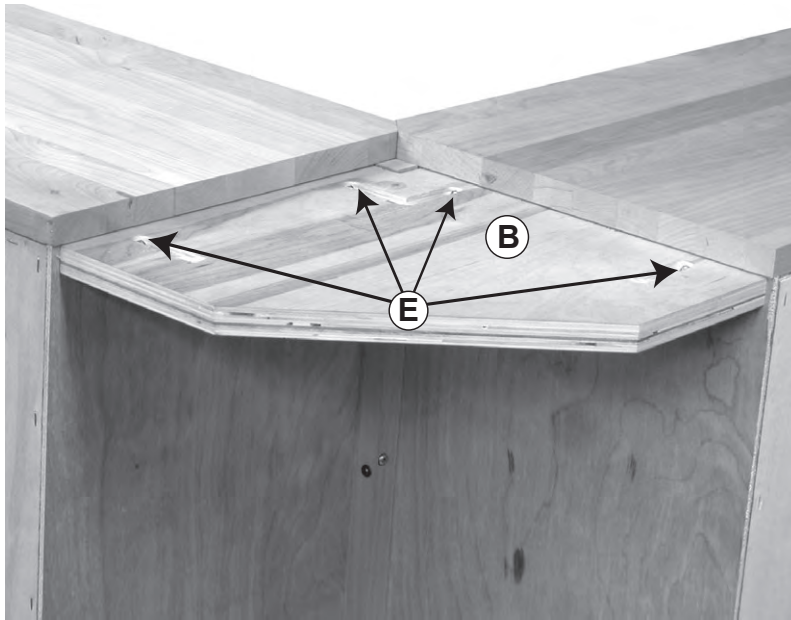


Fig. 3

3. Making sure the pocket-drilled holes face up, align the holes in the Upper Corner Brace (B) to the predrilled holes in the sides of the bookcases. Attach with four #8 x 1-1/4" Pan Head Screws (E). See Figure 3.

G  x 4

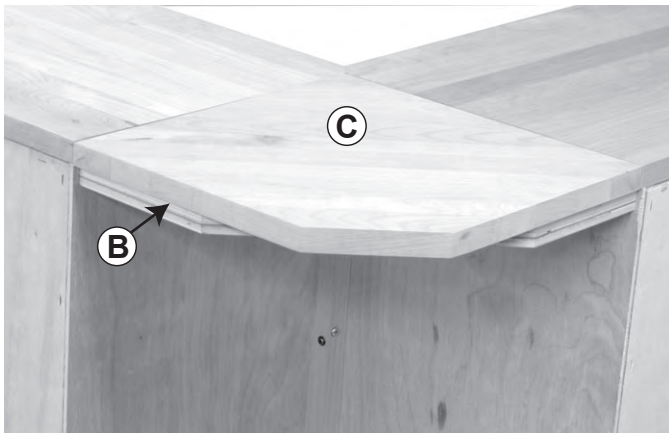


Fig. 4

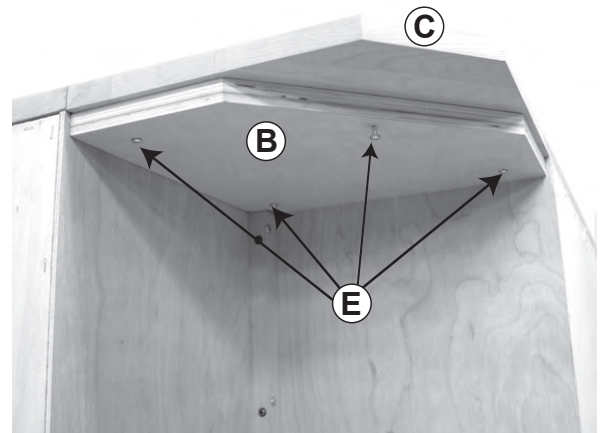


Fig. 4a

4. Position the Top (C) on the Upper Corner Brace (B). See Figure 4. Attach with four #8 x 1-1/4" Pan Head Screws (E). See Figure 4a.