

Model #

# 1155

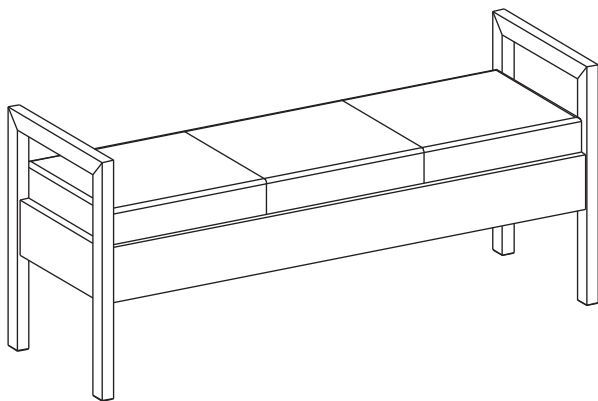
## Bailey/Addison Upholstered Arm Bench

ALM = Almond finish

NTM = Nutmeg finish

NAT = Natural finish

*Assembly Instructions*



*Thank you for allowing us to help you furnish your home. We are certain you will be delighted with your new furniture for many years to come.*

### IMPORTANT NOTES:

- Wood can be susceptible to changing color over time when exposed to strong sunlight. Use window shades, drapes or blinds to protect your furniture. To help the surface age evenly and avoid dark and light spots, periodically move items to expose the entire surface to an even amount of light so it may develop a uniform patina.
- For normal household use only. *Not* recommended for commercial use.
- Do not climb or stand on or in this piece of furniture.
- This assembly requires two people.

### WARNING

Drilling, sawing, sanding or machining wood products can expose you to wood dust, a substance known to the state of California to cause cancer. Avoid inhaling wood dust or use a dust mask or other safeguards for personal protection.

For more information go to: [www.p65warnings.ca.gov/wood](http://www.p65warnings.ca.gov/wood)

This product can expose you to chemicals, including formaldehyde, which are known to the State of California to cause cancer.

For more information go to: [www.p65warnings.ca.gov/furniture](http://www.p65warnings.ca.gov/furniture)

### Care and Maintenance:

Vacuum clean frequently using a furniture nozzle. Remove stains as soon as they occur using a casual kitchen cloth, mild soap and water. Do not use any strong cleaning or bleaching agents. Machine clean at 30°C/ 86°F

**DESIGN SUBJECT TO CHANGE WITHOUT NOTICE.**

### CUSTOMER SERVICE

If you ever have questions about your furniture, please do not hesitate to contact us. In the unlikely event you need a replacement part; we can make those parts available through an authorized Whittier Wood Furniture dealer. If you cannot order replacement parts through your dealer, please contact our customer service department.

**Hours:** Our friendly customer service staff can be reached:

**Monday-Friday 8:00 a.m. to 5:00 p.m. (Pacific Time).**

You may leave a message 24 hours a day, seven days a week.

**Customer Service: 800-653-3336 • Outside the U.S.: 541-687-0213**

**Fax: 541-687-2060 • Email: [info@whittierwood.com](mailto:info@whittierwood.com)**

**Whittier  
Wood**  
FURNITURE

P.O. Box 2827  
Eugene, OR 97402 USA

Production Code:

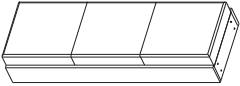
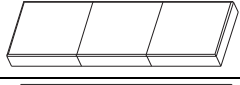
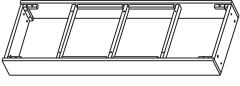
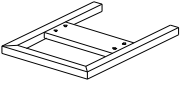

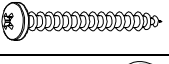



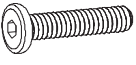
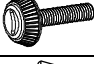


VN

06/26

# 1155 Bailey/Addison Upholstered Arm Bench

## Parts List

Please identify the parts and check that quantities received match those on this list.  
If you need to replace a part, refer to the following letter(s) and part name.

Part	Description	Quantity
A	Upholstered Case Assembly 	1
B	11556001 Upholstered Bond Linen Seat (attached) 	1
C	11554001 Seat Box Assembly (attached) 	1
D	11555001 Side Assembly 	2
E	9502211 #8 x 1-1/8" Lo-Profile Screw (inserted) 	4
F	9502321 #8 x 1-1/4" Pan Head Screw (inserted) 	28
G	9506041 1/4" Flat Washer 	8
H	9506501 1/4" x 20mm Insert Nut (inserted) 	4
I	9506661 5/16" x 14mm Insert Nut (inserted) 	8
J	9506671 5/16" x 35mm Hex Bolt 	8
K	9508864 Slotted Leveler (installed) 	4
L	9509132 Leveler Adjustment Key (attached to Owners Manual) 	1
M	9509243 Z Hex Wrench 5mm (included) 	1

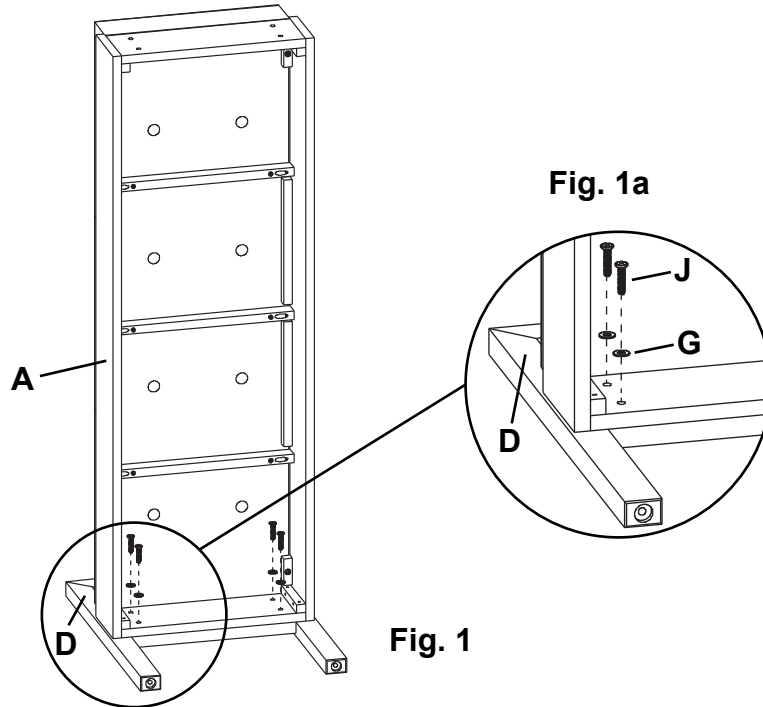
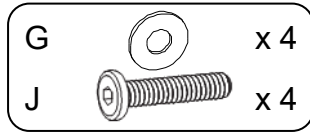
# 1155 Bailey/Addison Upholstered Arm Bench

## Assembly Instructions

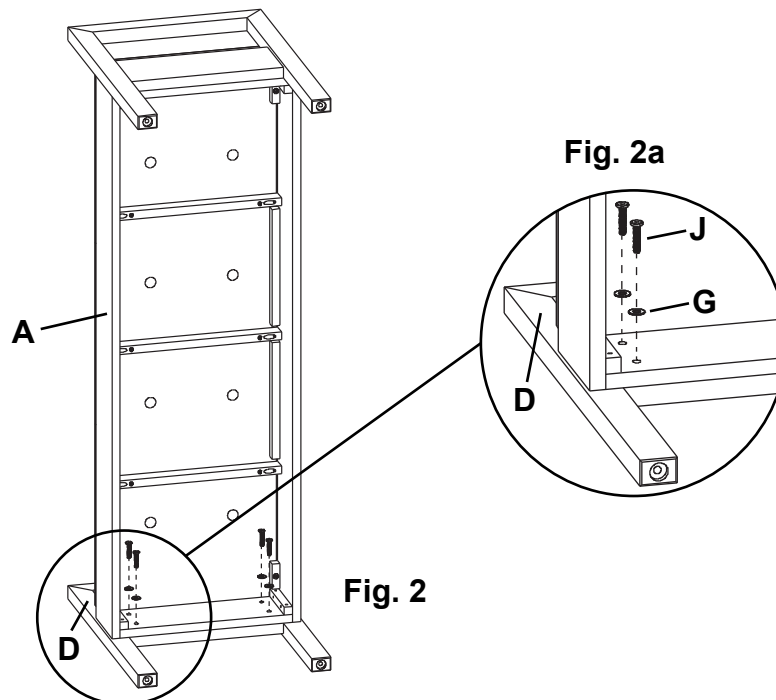
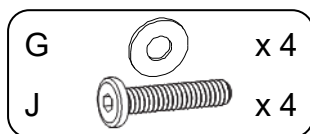
**Tools Required:** 9/16" or Adjustable Wrench.

**Tool Provided:** Leveler Adjustment Key in the Zip bag taped to the Owner's Manual and Safety Guide.

1. Lay one Side Assembly (D) face down on a clean, protected surface. Secure the Upholstered Case Assembly (A) to the Side Assembly (D) with 5/16" x 35 mm Hex Bolts (J) and 1/4" Flat Washers (G). See Figures 1 and 1a.



2. Lay the remaining Side Assembly (B) face down on a clean, protected surface. Secure the Upholstered Case Assembly (A) to the Side Assembly (D) with 5/16" x 35 mm Hex Bolts (J) and 1/4" Flat Washers (G). See Figures 2 and 2a.



# 1155 Bailey/Addison Upholstered Arm Bench

## Assembly Instructions

3. Turn the bench upright.  
Place the bench at its final destination. Use the Leveler Adjustment Key (L), found in the Zip bag taped to the Owner's Manual and Safety Guide to rotate the Slotted Levelers (K) on the bottoms of the legs until the unit is level. See Figures 3 and 3a.

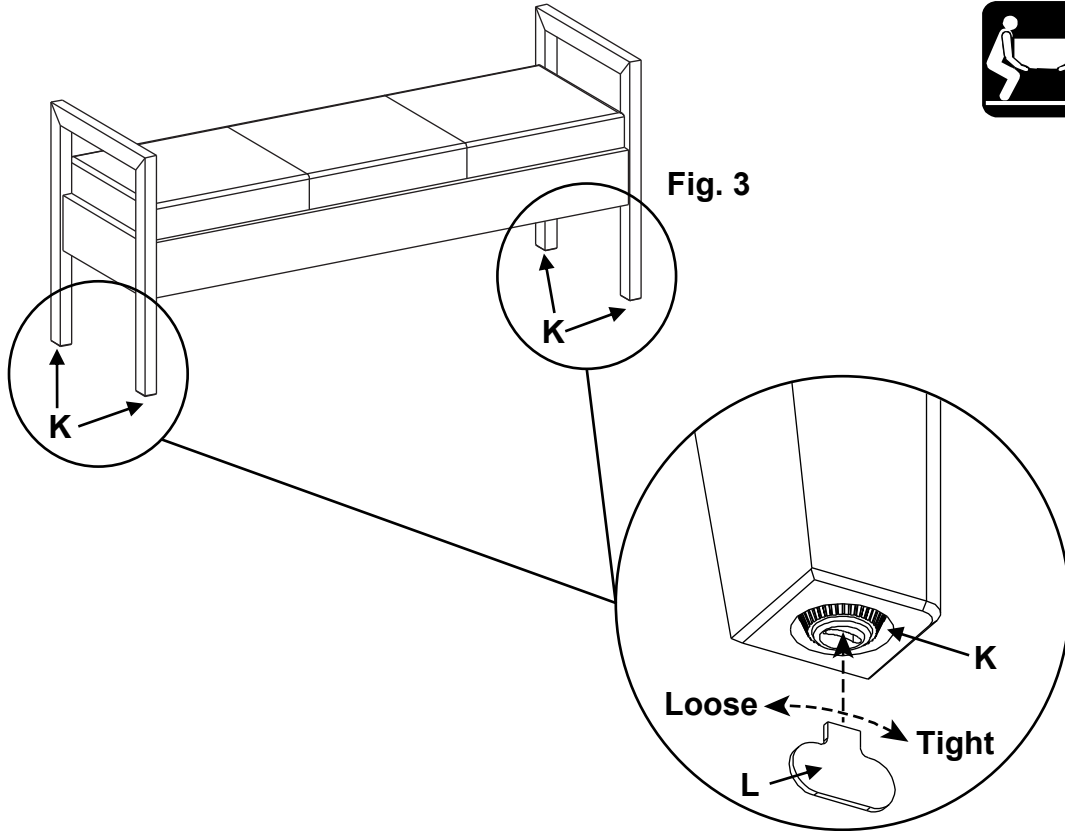


Fig. 3

Fig. 3a