

McKenzie Occasional Table

GAC = Glazed Antique Cherry finish

JAV = Java finish

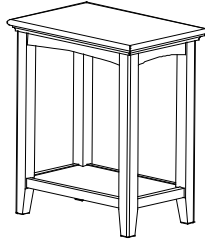
PEC = Pecan finish

Assembly Instructions

Model #

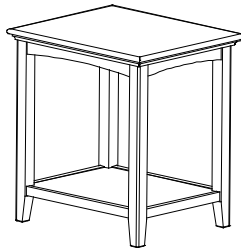
3497b

McKenzie Accent Table



3498b

McKenzie Side Table



Thank you for allowing us to help you furnish your home. We are certain you will be delighted with your new furniture for many years to come.

IMPORTANT NOTES:

- For normal household use only. *Not* recommended for commercial use.
- Do not climb, sit, or stand on this piece of furniture.
- Unload items before you move this unit.
- Do not overload the shelves.

WARNING

Drilling, sawing, sanding or machining wood products can expose you to wood dust, a substance known to the state of California to cause cancer. Avoid inhaling wood dust or use a dust mask or other safeguards for personal protection.

For more information go to: www.p65warnings.ca.gov/wood

This product can expose you to chemicals, including formaldehyde, which are known to the State of California to cause cancer.

For more information go to: www.p65warnings.ca.gov/furniture

DESIGN SUBJECT TO CHANGE WITHOUT NOTICE.

CUSTOMER SERVICE

If you ever have questions about your furniture, please do not hesitate to contact us. In the unlikely event you need a replacement part; we can make those parts available through an authorized Whittier Wood Furniture dealer. If you cannot order replacement parts through your dealer, please contact our customer service department.

Hours: Our friendly customer service staff can be reached:

Monday-Friday 8:00 a.m. to 5:00 p.m. (Pacific Time).

You may leave a message 24 hours a day, seven days a week.

Customer Service: 800-653-3336 • **Outside the U.S.:** 541-687-0213

Fax: 541-687-2060 • **Email:** info@whittierwood.com

**Whittier
Wood**
FURNITURE

P.O. Box 2827
Eugene, OR 97402 USA

Production Code :

VN

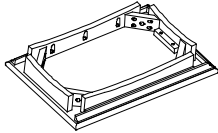
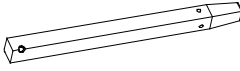
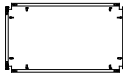






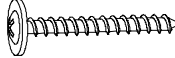



10/23

3497b McKenzie Accent Table

3498b McKenzie Side Table

Parts List

Please identify the parts and check that quantities received match those on this list.
If you need to replace a part, refer to the following letter and part name.

Part	Description	Quantity
Aa	Top Assembly 	1
B	Leg 	4
C	Shelf Assembly 	1
D	#8 x 1-1/4" Pan Head Screw 	30 (22 inserted)
E	5/16" Flat Washer 	4
F	3/8" x 2-1/2" Hex Bolt 	4
H	3/8" x 1" Insert Nut (inserted) 	4
K	Wood Dowel (inserted) 	4
L	1/4" x 20mm Insert Nut (inserted) 	4
M	#8 x 1-3/8" Lo-Profile Screw (inserted) 	4
N	#8 Washer (inserted) 	6
O	Slotted Leveler (installed) 	4
P	Leveler Adjustment Key (attached to Owners Manual) 	1

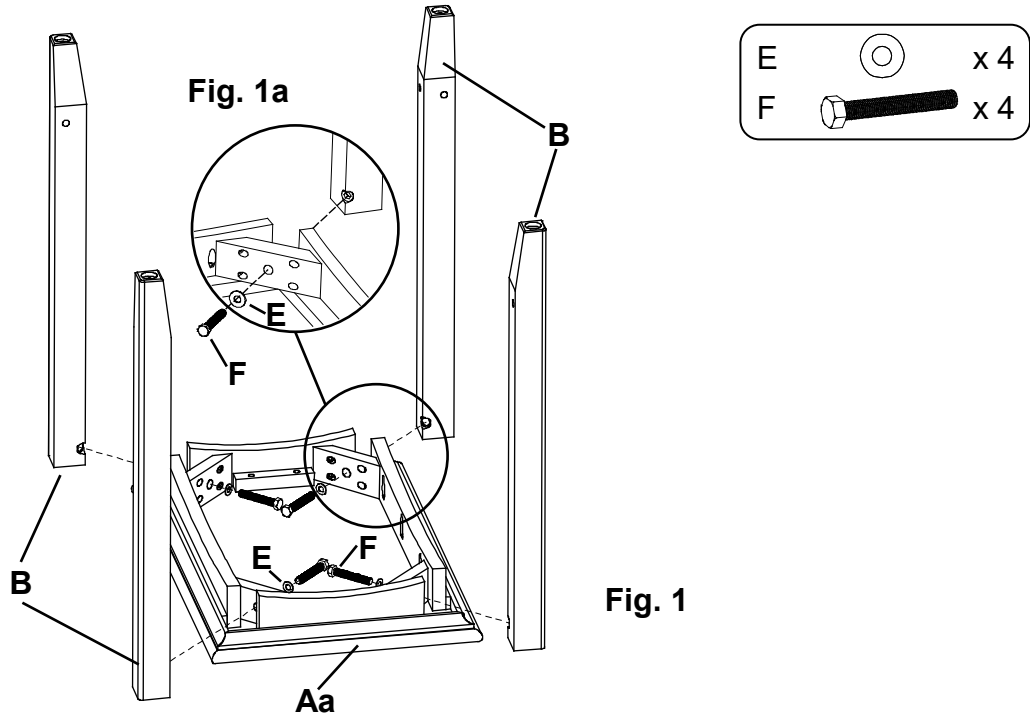
3497 shown in the illustrations.

3497b McKenzie Accent Table
3498b McKenzie Side Table
Assembly Instructions

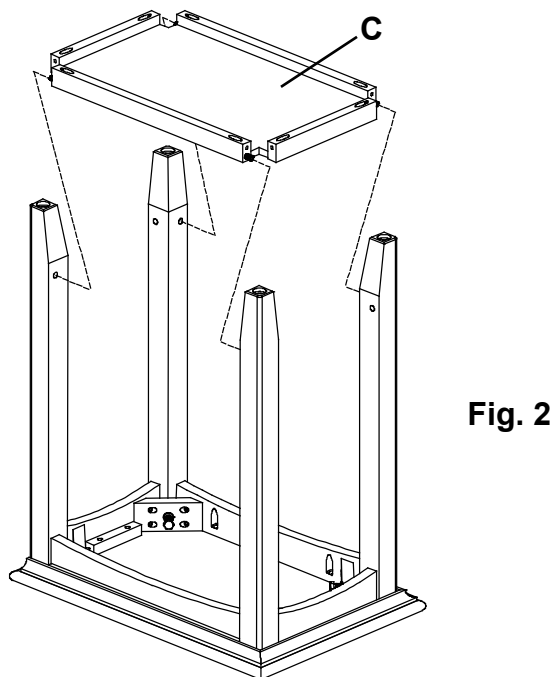
Tools Required: Phillips Screwdriver, 9/16" or Adjustable Wrench

Tool Provided: Leveler Adjustment Key in the Zip bag taped to the Owner's Manual and Safety Guide.

1. Turn the Top Assembly (Aa) upside-down on a clean, protected surface. Position the Legs (B) in the corners so the Insert Nuts (H) face in. LOOSELY attach with four 5/16" Flat Washers (E) and four 3/8" x 2-1/2" Hex Bolts (F) (the legs should be wobbly). See Figures 1 and 1a.

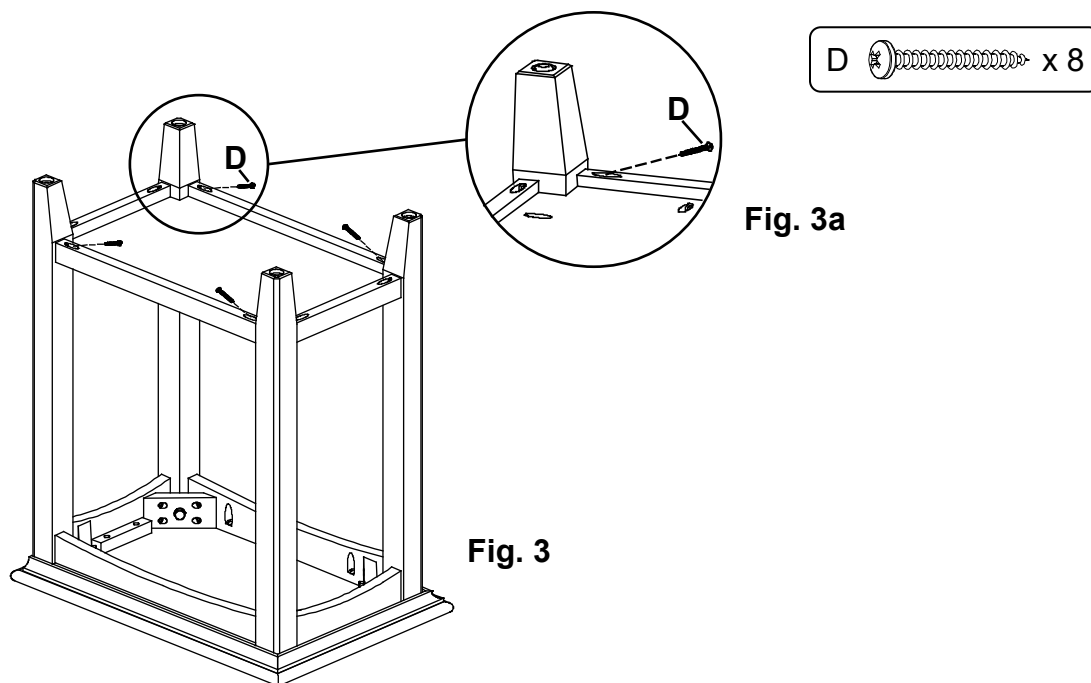


2. Turn the Shelf Assembly (C) upside-down and place the dowels into the dowel holes in the Legs. Tighten the Hex Bolts on the Legs. See Figure 2.



3497b McKenzie Accent Table
3498b McKenzie Side Table
Assembly Instructions

3. Using the pocket holes as guides, secure the Shelf (C) to the Legs (B) with eight #8 x 1-1/4" Pan Head Screws (D). See Figures 3 and 3a.



4. Turn the table upright and place the table at its final destination. Use the Leveler Adjustment Key (P), found in the Zip bag taped to the Owner's Manual and Safety Guide to rotate the Slotted Levelers (O) on the bottoms of the legs until the table is level. See Figures 4 and 4a.

