

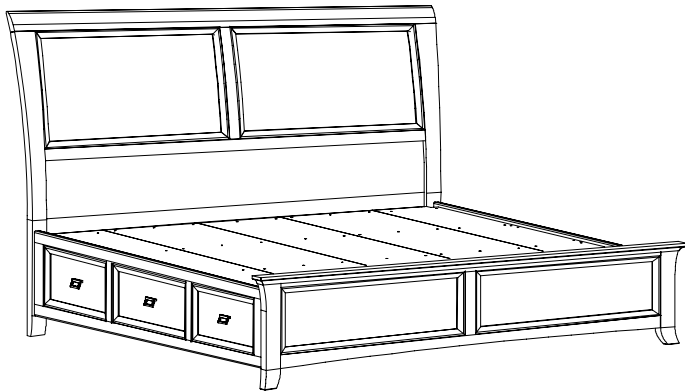
Model #

# 1859GBCHa

## Cascade King Storage Bed

Glazed Black Cherry finish

*Assembly Instructions*



### IMPORTANT NOTES:

- For normal household use only. *Not* recommended to use this unit in a commercial setting.
- Remove items before you move this unit.
- Do not overload the drawers.
- Before you load or move this unit, tighten all screws and supports.
- Before you begin your project, completely read the Assembly Instructions.
- Store this item: 1- in its box; 2- in a dry place; 3- in temperatures that range from 40°F to 90°F (not on a cold and possibly damp cement floor).
- Periodically inspect your furniture for any loose glue joints, screws or any other problem that might affect the stability of your furniture. Tighten or repair as needed.
- This assembly requires two people.

**DESIGN SUBJECT TO CHANGE WITHOUT NOTICE**

### **Congratulations!**

*This fine piece of furniture will make a gorgeous addition to your home. For the best results, read the Assembly Instructions before you begin your project.*



**CALL US FIRST!** *Do not return this item to the store.*

**Service Policy:** We will replace any part that is defective, missing or damaged during assembly. For a replacement part, contact Whittier Wood Products customer service department by phone, fax, mail or email.

**Hours:** Our friendly customer service staff can be reached Monday-Friday 7:00 a.m. to 5:00 p.m. (Pacific Time). You may leave a message 24 hours a day, seven days a week.

**To Order:** Provide the finish and furniture model number (upper portion of this page), the part letter, production code, quantity needed, reason for replacement and your full name, address and telephone number.

*Parts ship from our Eugene, Oregon factory within one or two business days from the time we receive your request. Please allow five to ten business days for delivery*

**800-653-3336** • Outside the U.S. or Canada: 541-687-0213 • Fax: 541-687-2060  
www.whittierwood.com • P.O. Box 2827 • Eugene, Oregon 97402, U.S.A.

**Whittier  
Wood**  
FURNITURE

P.O. Box 2827  
Eugene, OR 97402 USA

Production Code:

VN

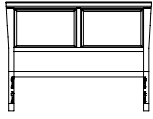

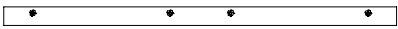



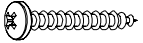







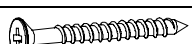
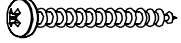


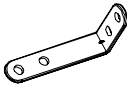
03/12

# 1859GBCHa Cascade King Storage Bed

## Parts List

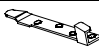
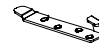
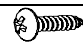
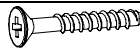



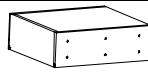
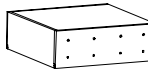
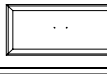
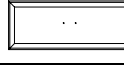
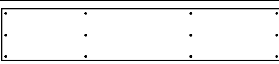




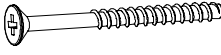
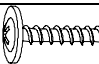
Please identify the parts and check that quantities received match those on this list.  
If you need to replace a part, refer to the following letter and part name.

### 1861GBCHa Headboard/Footboard Kit (x1)

Part	Description	Quantity
A	Headboard Assembly 	1
Ba	Footboard Assembly 	1
C	Trestle With T-Nuts 	7
D	Foot Assembly 	3
E	Foot Bracket (attached) 	3
F	Adjustable Glide (installed) 	3
G	#8 x 20mm Pan Head Screw (inserted) 	24
H	Left Bracket (attached) 	4
I	Right Bracket (attached) 	4
J	1/4" x 1-3/4" Hex Bolt 	26
K	Washer 	26
M	#6 x 1/2" Philtruss Screw 	8
N	#8 x 1" Black Screw (inserted) 	32
O	#8 x 1-1/4" Black Screw 	45 (9 inserted)
P	#8 x 1-5/8" Black Screw (inserted) 	4
Q	#8 x 1-3/4" Pan Head Screw (inserted) 	2
R	1/4" T-Nut (inserted) 	28
ZH	Center Deckboard 	1
ZI	90° Bracket 	2

**1859GBCHa Cascade King Storage Bed**  
Parts List

**1856GBCHa Pedestal Kit (x2)**

Part	Description		Quantity
H	Left Bracket (attached)		2
I	Right Bracket (attached)		2
M	#6 x 1/2" Philtruss Screw (inserted)		18
N	#8 x 1" Black Screw (inserted)		16
O	#8 x 1-1/4" Black Screw (inserted)		30
P	#8 x 1-5/8" Black Screw (inserted)		16
Sa	Pedestal Assembly		1
T	Small Drawer Box (assembled)		2
Ua	Large Drawer Box (assembled)		1
V	Small Drawer Face (attached)		2
Wa	Large Drawer Face (attached)		1
Xa	Deckboard		1
Y	Drawer Pull (attached)		3
ZA	#8 x 1-1/4" Machine Screw (installed)		6
ZB	Drawer Slides (installed)		3 sets
ZD	#6 x 3/4" Philtruss Screw (inserted)		18
ZE	#8 x 2" Black Screw (inserted)		12
ZF	#8 x 7/8" Lo-Profile Screw (inserted)		20

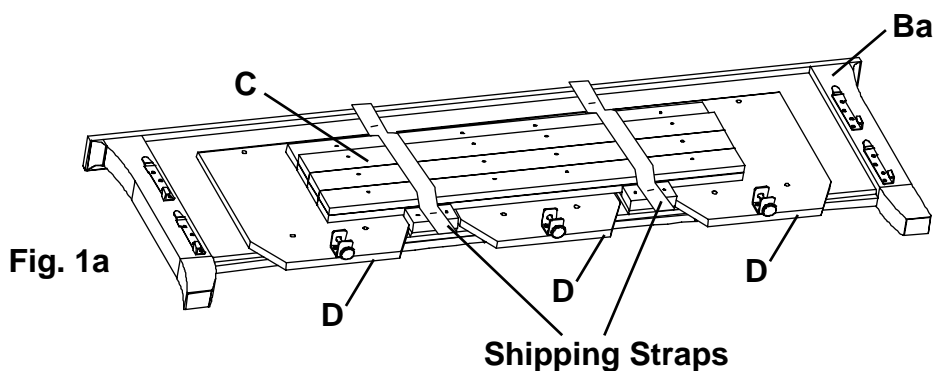
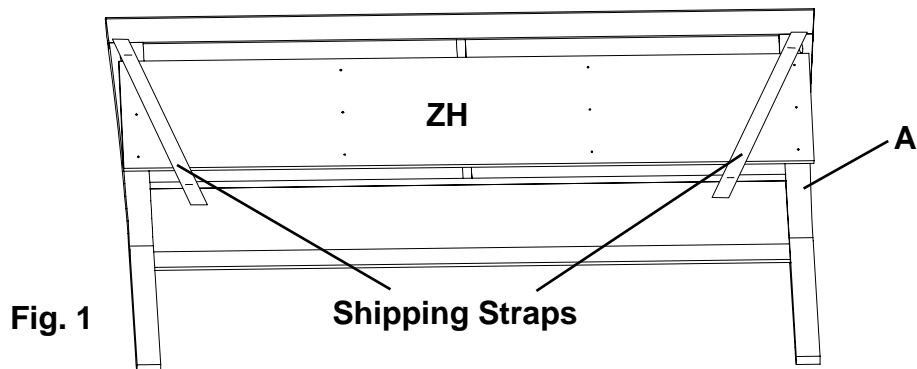
# 1859GBCHa Cascade King Storage Bed

## Assembly Instructions

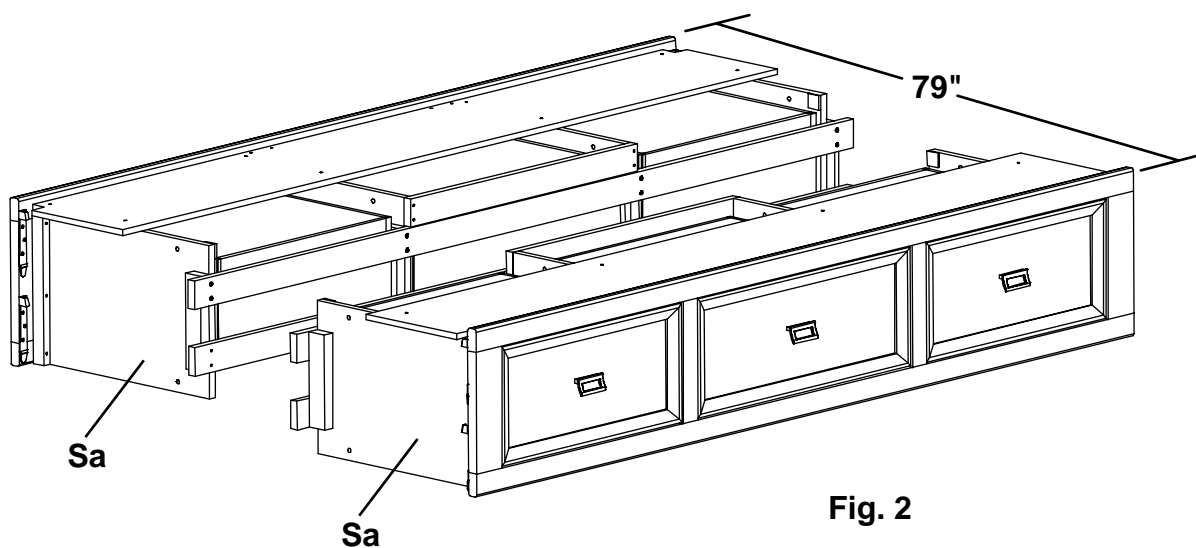
This assembly requires two people.

Tools Required: Phillips screwdriver, 7/16" open end or box end wrench and Tape measure

1. Remove the Center Deckboard (ZH), the Trestles (C) and Foot Assemblies (D) from the backs of the Headboard (A) and Footboard (Ba) and place them off to the side. See Figures 1 and 1a.



2. Place both Pedestals (Sa) approximately 79" apart as shown in Figure 2.



# 1859GBCHa Cascade King Storage Bed

## Assembly Instructions

This assembly requires two people.

3. To attach the Footboard (Ba) to the Pedestal Assembly (Sa), align the Brackets and slide the Pedestal Assembly down on to the Footboard (Ba). See Figures 3 and 3a.

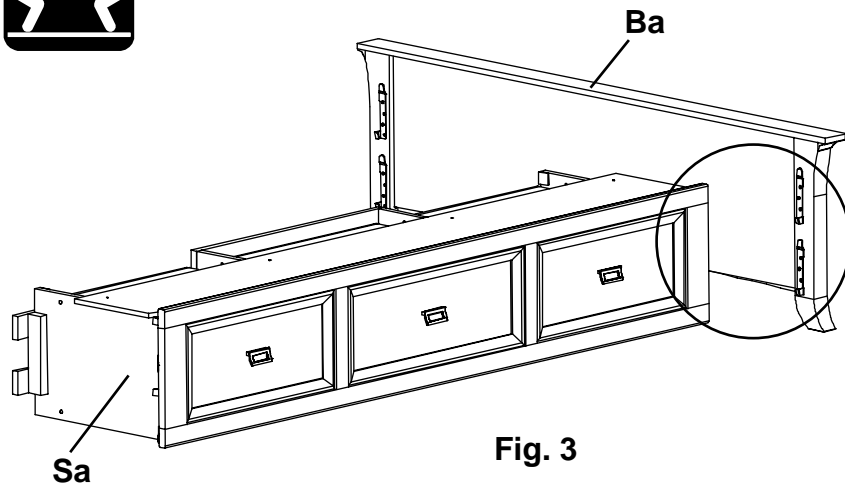


Fig. 3

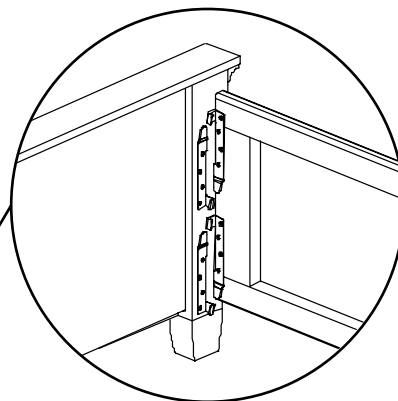


Fig. 3a

4. Repeat step three for the left side.

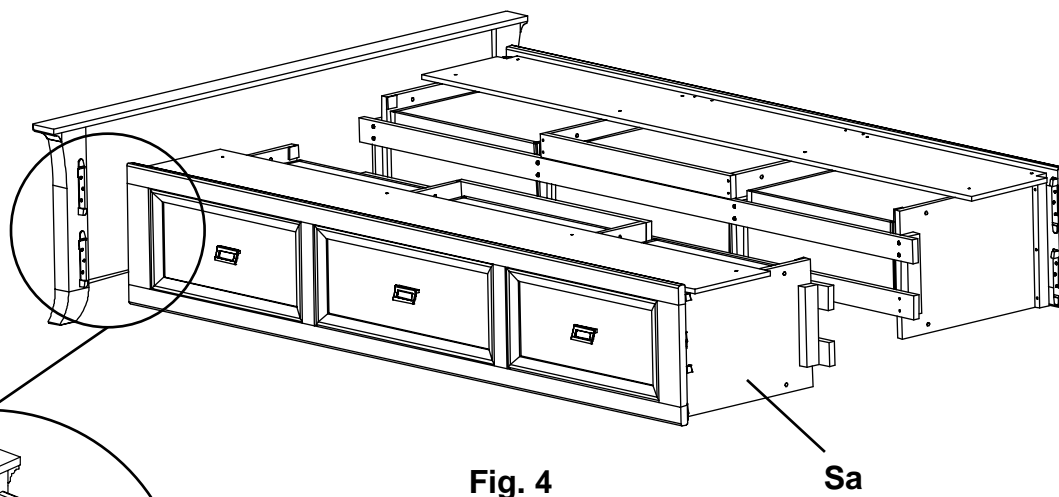


Fig. 4

Sa

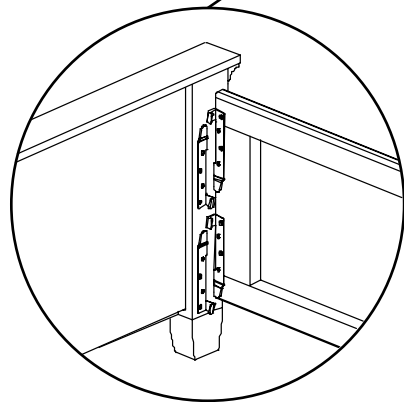


Fig. 4a

# 1859GBCHa Cascade King Storage Bed

## Assembly Instructions

This assembly requires two people.

5. Align the Brackets on both sides and slide the Pedestal/Footboard assembly down on to the Headboard (A). See Figure 5.

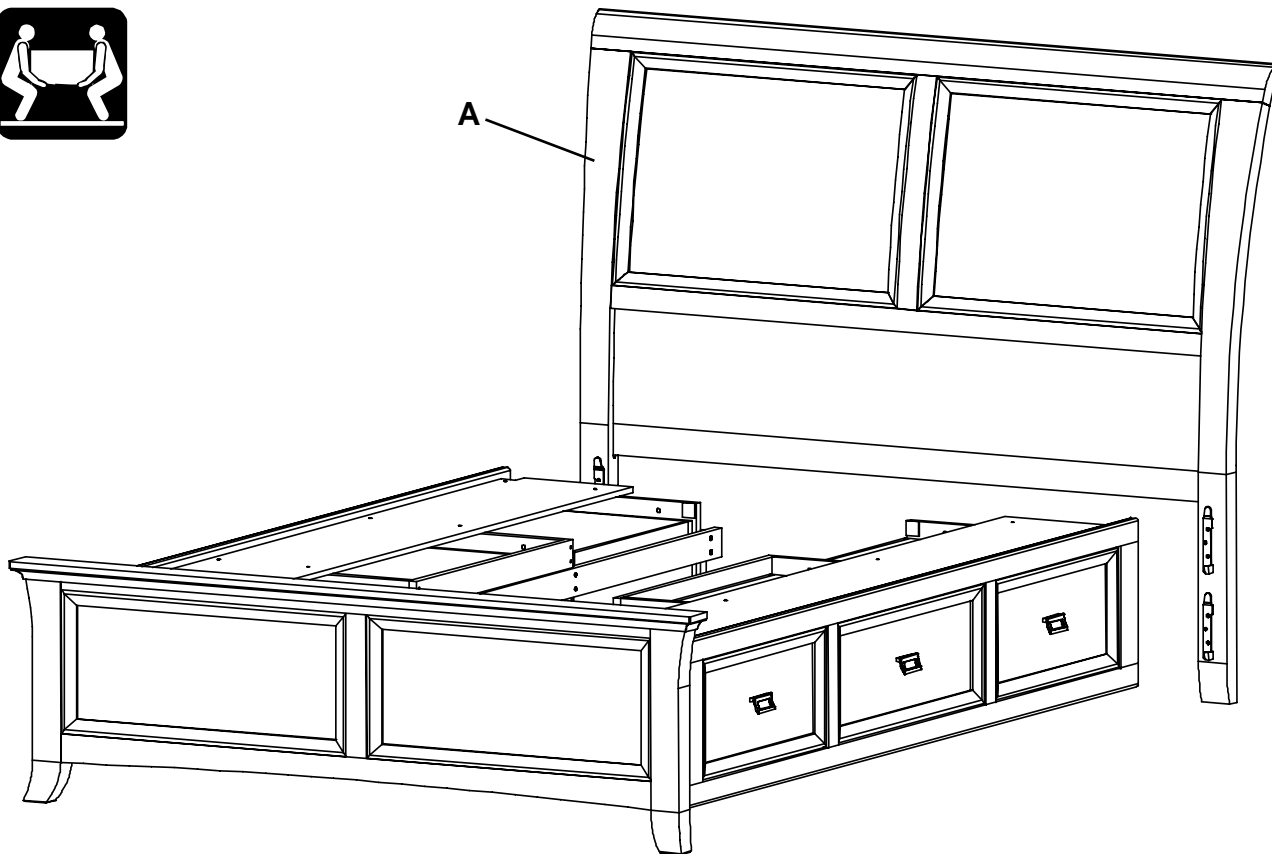


Fig. 5

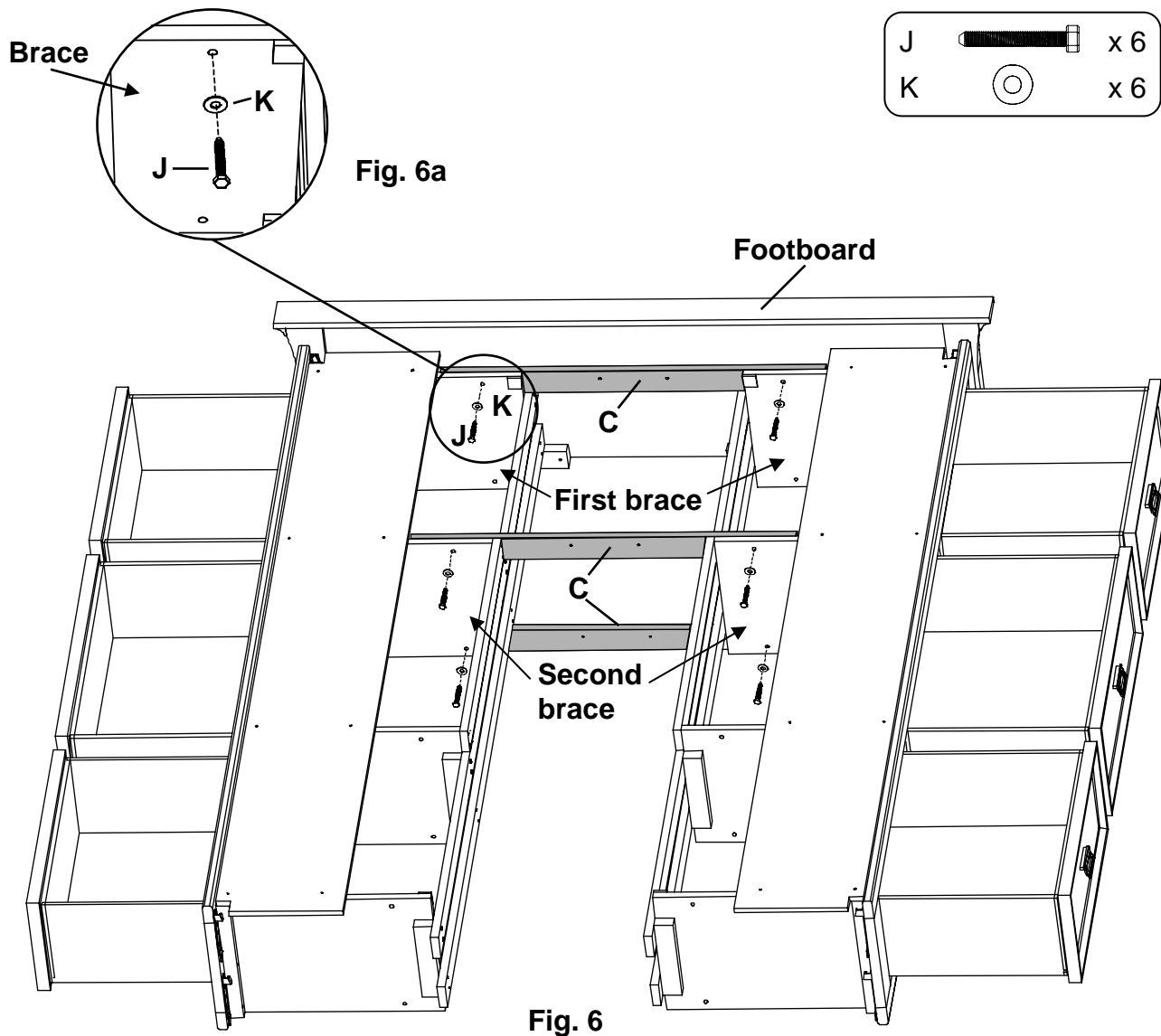
# 1859GBCHa Cascade King Storage Bed

## Assembly Instructions

This assembly requires two people.

- Open the drawers. Face the Footboard and stand in between the first and second braces. Place a Trestle with T-Nuts (C) on the outside surfaces of the first upper left and right braces so the T-Nuts (R) sit near the top. See Figure 6a. Line up the upper edges of the trestle and braces until they are nearly flush. Insert two 1/4" x 1-3/4" Hex Bolts (J) and Washers (K) and tighten. Repeat for the second upper brace.

Place a Trestle with T-Nuts (C) on the outside surface of the second lower brace so the T-Nuts (R) sit near the bottom. Line up the bottom edges of the trestle and braces so they are nearly flush. Insert two 1/4" x 1-3/4" Hex Bolts (J) and Washers (K) and tighten. See Figures 6 and 6a.



Headboard removed for illustration purposes.

# 1859GBCHa Cascade King Storage Bed

## Assembly Instructions

This assembly requires two people.

7. Face the Headboard and stand in between the third and fourth braces. Place a Trestle with T-Nuts (C) on the outside surfaces of the third **upper** left and right braces so the T-nuts sit near the top. See Figures 7 and 7a. Line up the upper edges of the trestle and braces so they are nearly flush. Insert two 1/4" x 1-3/4" Hex Bolts (J) and Washers (K) and tighten. Repeat for the fourth brace.

Place a Trestle with T-Nuts on the outside surface of the third left and right **lower** braces so that the T-nuts sit near the bottom. Line up the bottom edges of the trestle and braces so they are nearly flush. Insert two 1/4" x 1-3/4" Hex Bolts (J) and Washers (K) and tighten. See Figures 7 and 7a.

Repeat for the fourth brace.

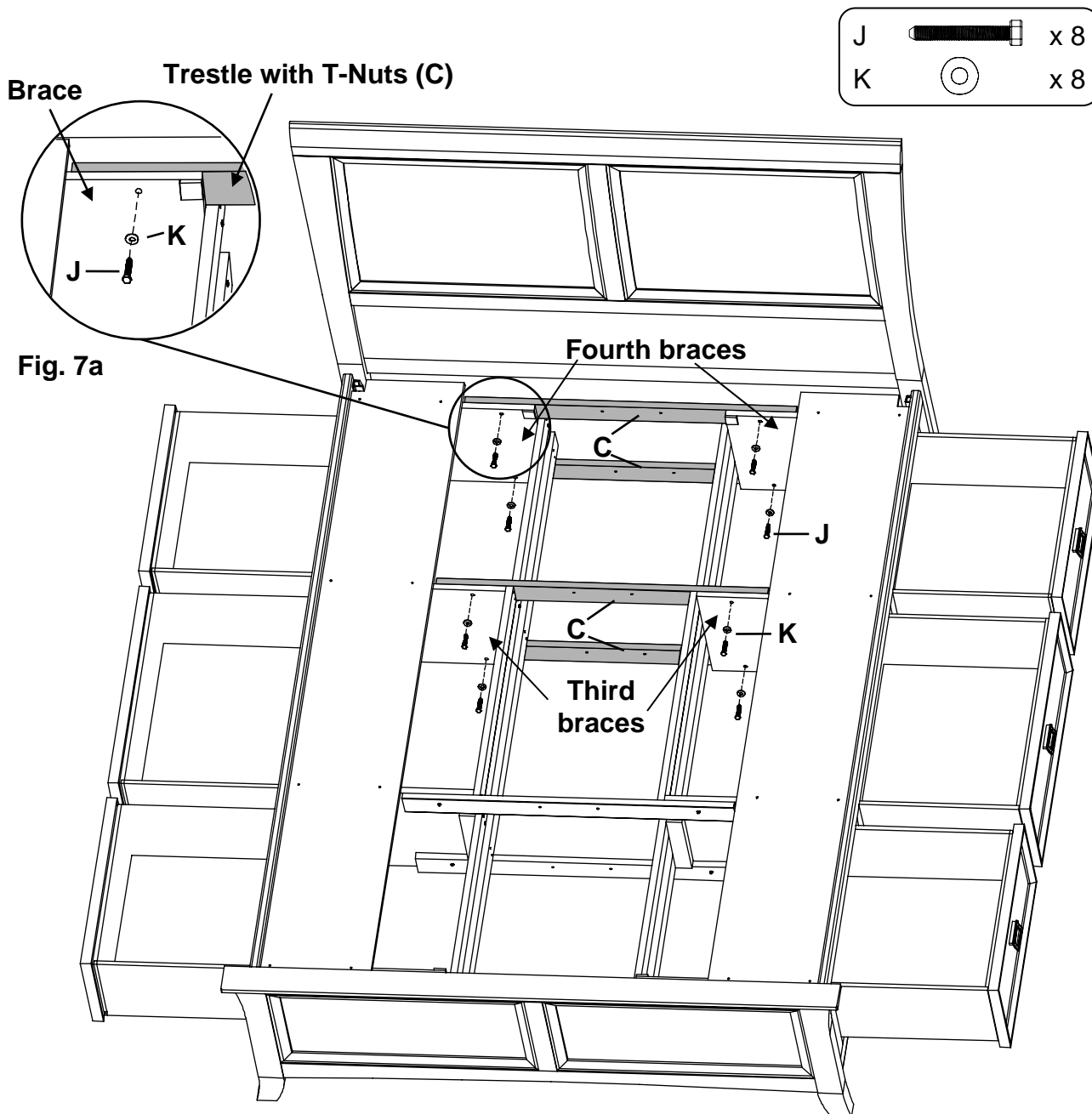


Fig. 7

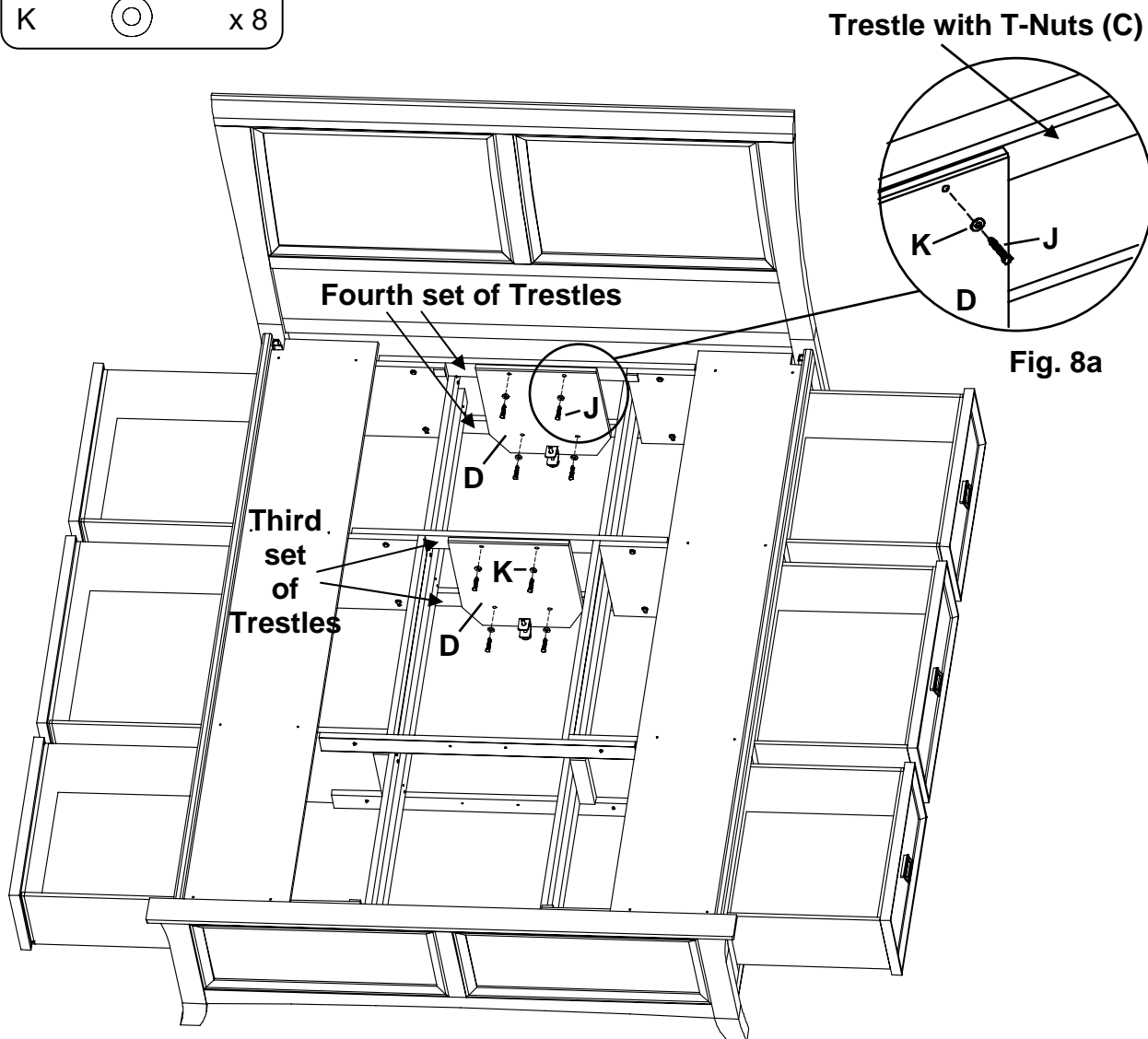
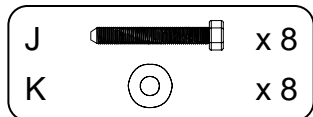


# 1859GBCHa Cascade King Storage Bed

## Assembly Instructions

This assembly requires two people.

8. Facing the Headboard, place two Foot Assemblies (D) on the inside faces of the third and fourth upper and lower Trestles. Attach with Washers (K) and 1/4" x 1-3/4" Hex Bolts (J). See Figures 8 and 8a.



**Fig. 8**

# 1859GBCHa Cascade King Storage Bed

## Assembly Instructions

This assembly requires two people.

9. Facing the Footboard, place a Foot Assembly (D) on the inside of the second set of Trestles and attach with four Washers (K) and four 1/4" x 1-3/4" Hex Bolts (J). See Figures 9 and 9a.

Adjust all three Glides (F) found at the bottoms of the Foot Assemblies so that the Glides just touch the floor.

**IMPORTANT: Make sure the Glides touch the floor and carry weight.**

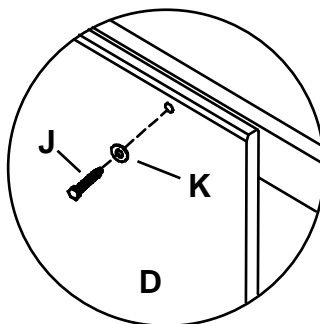
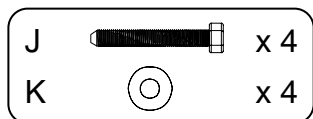


Fig. 9a

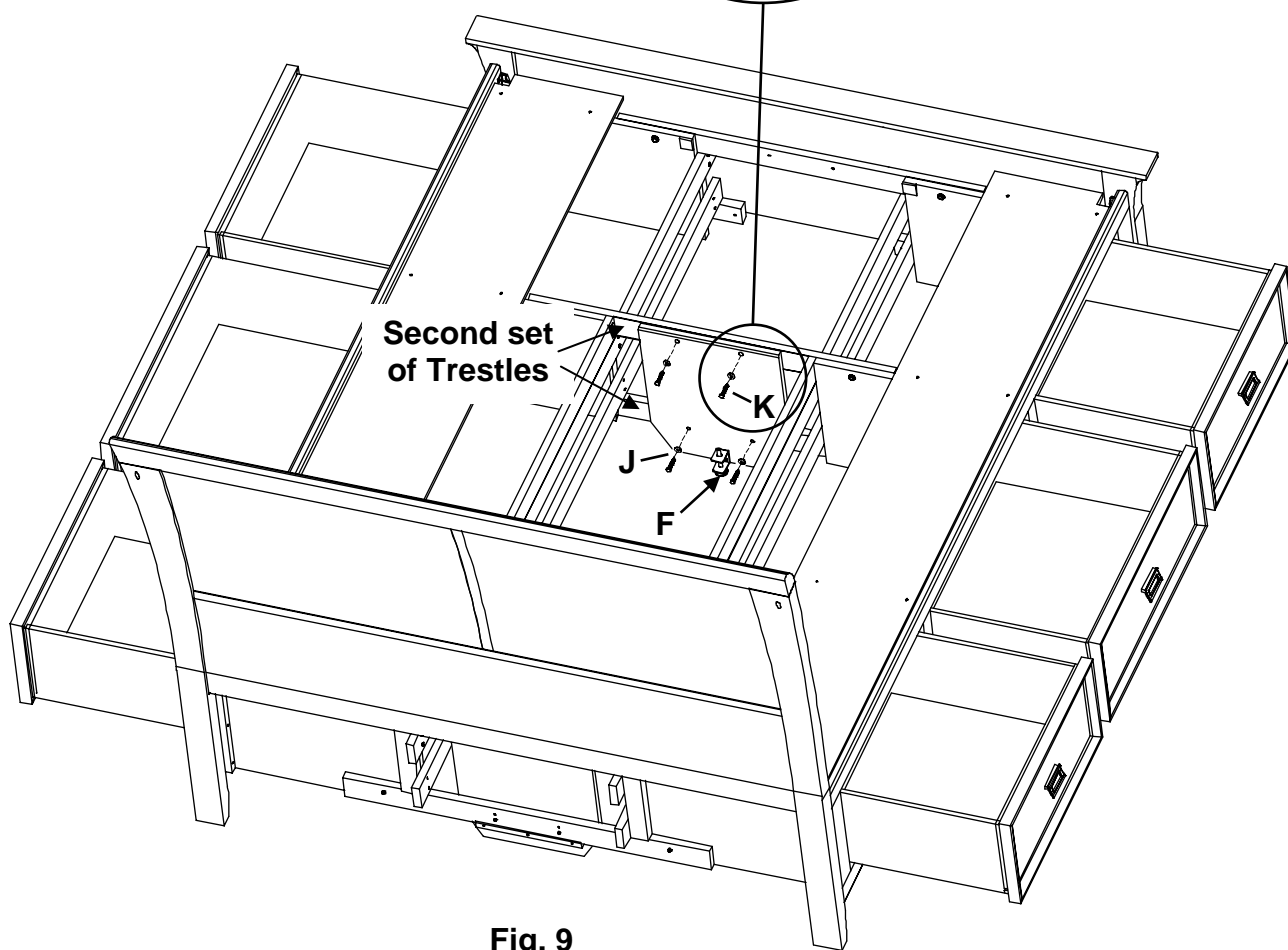


Fig. 9

# 1859GBCHa Cascade King Storage Bed

## Assembly Instructions

This assembly requires two people.

10. Facing the Footboard, attach a 90° Bracket (ZI) to the Pedestal Assembly to the Footboard with four #6 x 1/2" Philtruss Screws (M). Repeat for the other side. See Figures 10 and 10a.

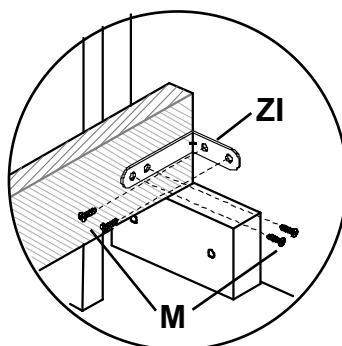
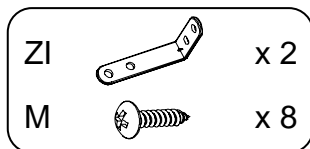


Fig. 10a

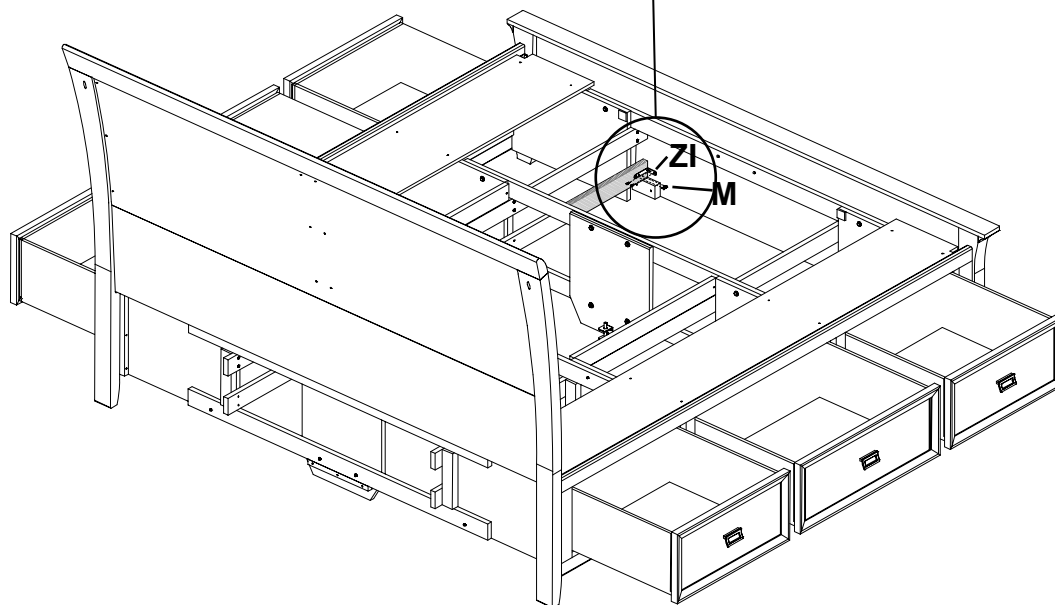


Fig. 10



11. This step requires two people. Place the bed at its final destination. If needed, adjust center feet.

# 1859GBCHa Cascade King Storage Bed

## Assembly Instructions

This assembly requires two people.

12. To make sure the bed is square, measure the distance between opposing corners. If one of the measurements is larger, tap on a footboard leg until the measurement is equal. See Figure 12.

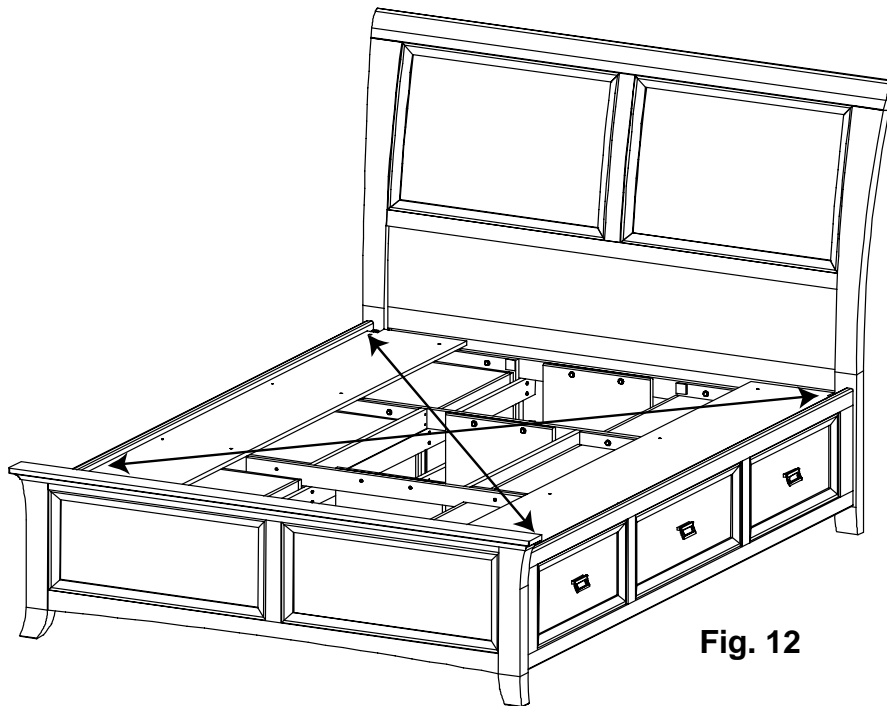


Fig. 12

13. Place the Deckboards (Xa) as shown in Figure 13. There should be a small gap between each deckboard. Secure with #8x1-1/4" Black Screws (O).

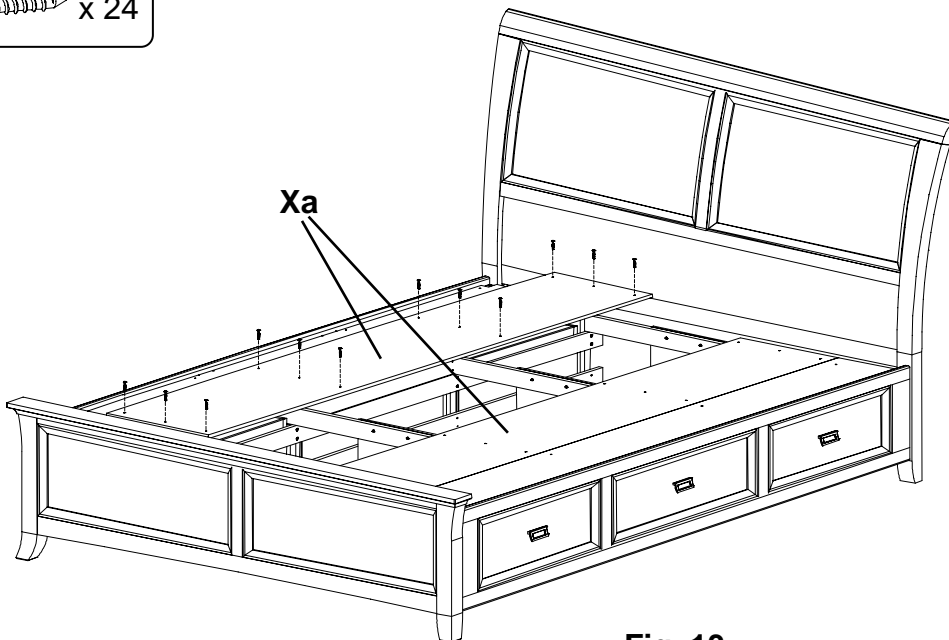
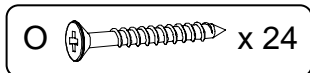


Fig. 13

# 1859GBCHa Cascade King Storage Bed

## Assembly Instructions

This assembly requires two people.

14. Place the Center Deckboard (ZH) on to the bed assembly as shown in Figure 13 and secure with #8x1-1/4" Black Screws (O).

If at some time you need to adjust the center feet, remove the center deckboard, adjust the glides and reattach the deckboard.

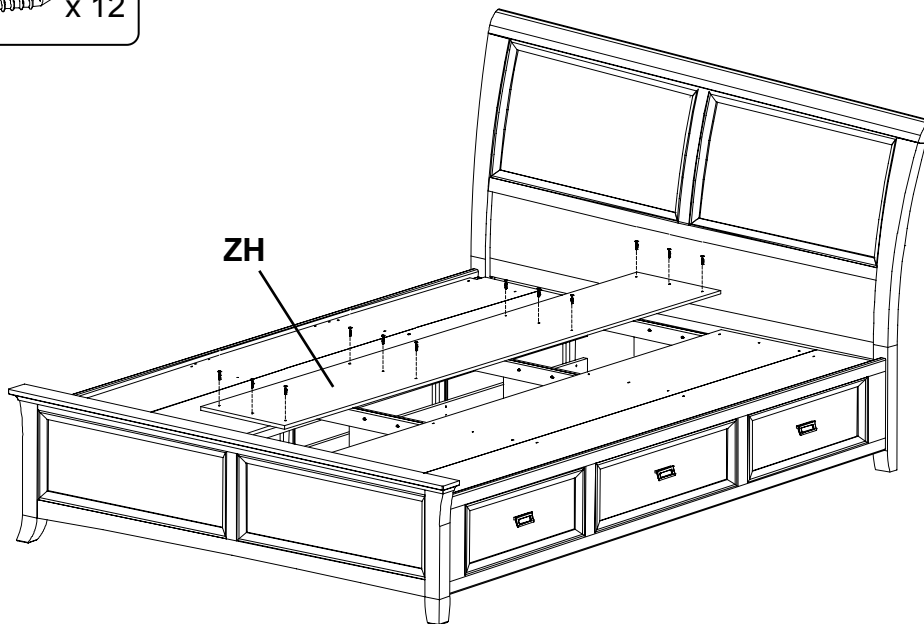
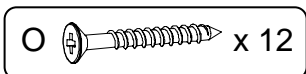


Fig. 14