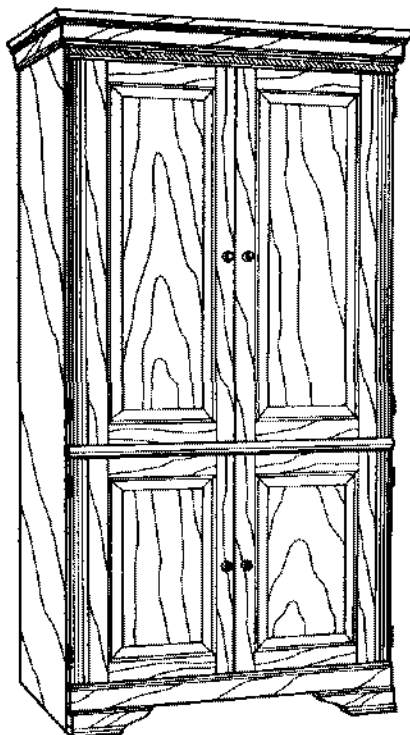




**Whittier®
Wood
Products**



726W Cambridge Entertainment Center



Do not climb, sit, or stand on this piece of furniture.

Unload items from this unit prior to moving.

Do not overload shelves on this unit.

Before loading or moving this unit, check all screws and supports for tightness.

*For normal household use only.
NOT recommended for
commercial use.*

Congratulations on your choice of a Whittier Wood product.

This fine, hardwood furniture will be a handsome addition to your home. Just follow the step by step instructions.

SERVICE POLICY:

We will replace any parts which are defective, missing or damaged during assembly.

Please contact Whittier Wood Products customer service department directly for replacement parts.

If you live in the U.S. or Canada, you can reach us **Toll Free at: 800-653-3336.**

All other customers can reach us by **calling 541-687-0213,**

Faxing 541-687-2060 or writing to P.O. Box 2827, Eugene, OR-USA 97402.

Customer service personnel can be reached Monday-Friday, 7:00 am. to 5:00 p.m. Pacific time.

A message can be left for customer service 24 hours a day, seven days a week.

When contacting us, please provide the furniture model number, part letter, quantity needed, reason for replacement and your full name and address along with a telephone number in case we need to contact you.

IMPORTANT NOTES

- Read instructions completely before starting assembly.
- Additional sanding with 220 grit is recommended for enhanced beauty.
- Always sand with the grain of the wood. Be careful not to sand through the veneer.
- Before finishing, read enclosed Finishing Hints.
- To seal the wood, apply a minimum of one coat of polyurethane, varnish, lacquer or the equivalent to all sides. This will prevent moisture changes which could cause future warpage or cupping.
- Store the panels: 1) in their box, 2) in a dry place, 3) in temperatures ranging from 40° to 90°. (Not on a cold, possibly damp, cement floor.)

INSPECT YOUR FURNITURE PERIODICALLY FOR ANY LOOSE GLUE JOINTS OR SCREWS, OR ANY OTHER PROBLEM WHICH MAY BE AFFECTING THE STABILITY OF YOUR FURNITURE. TIGHTEN OR REPAIR AS NEEDED.

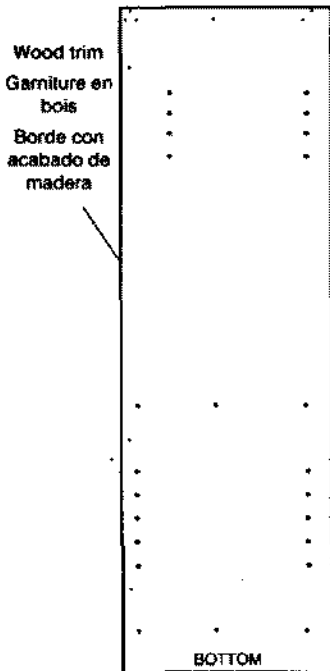
DESIGN SUBJECT TO CHANGE WITHOUT NOTICE.

Rev. 8/04

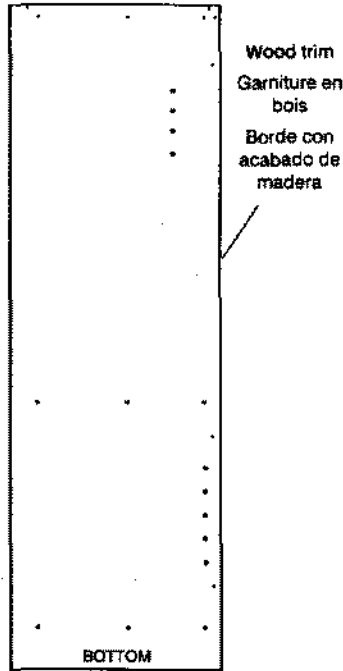
726W Cambridge Entertainment Center – Parts List

BEFORE BEGINNING ASSEMBLY:

Check that the quantities of the parts received match those on parts list below.



A — Left Side Panel — Qty. 1



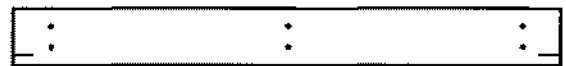
B — Right Side Panel — Qty. 1



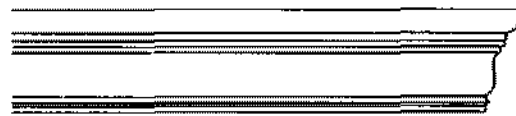
F — Left Foot — Qty. 1



G — Right Foot — Qty. 1



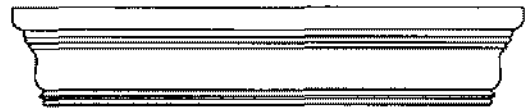
H — Crown — Qty. 1



I — Left Crown Moulding — Qty. 1



I — End view;
Vue de l'extrémité;
Vista lateral



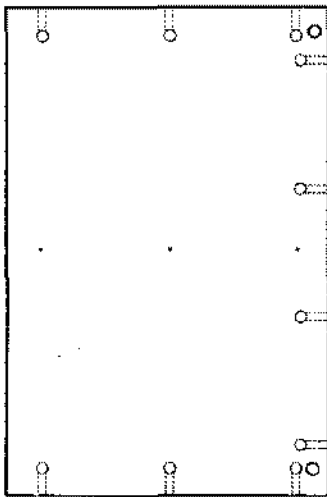
J — Front Crown Moulding — Qty. 1



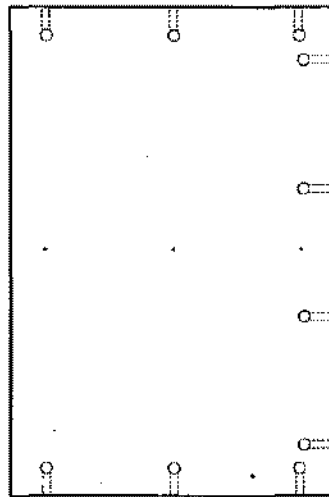
K — End view;
Vue de l'extrémité;
Vista lateral



K — Right Crown Moulding — Qty. 1



CB — Bottom Shelf — Qty. 1



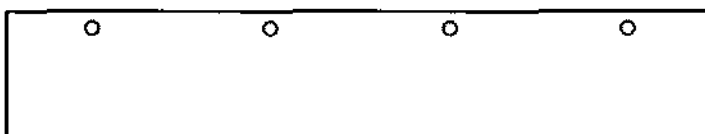
CC — Center Shelf — Qty. 1



D — Center Shelf Moulding — Qty. 1



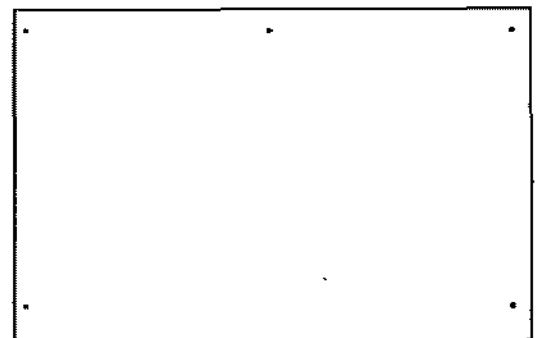
D — End view; Vue de l'extrémité; Vista lateral



E — Base — Qty. 1

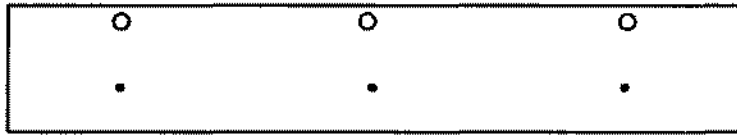


E — End view; Vue de l'extrémité; Vista lateral



L — Top — Qty. 1

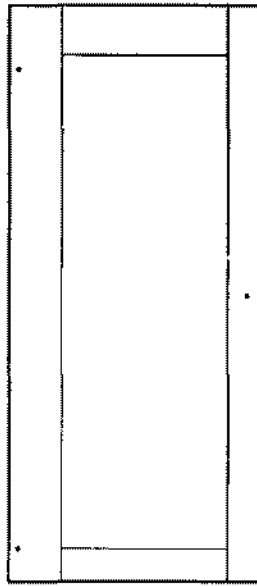
726W Cambridge Entertainment Center – Parts List (cont.)



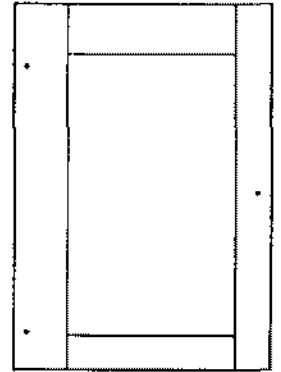
M — Crown Spacer — Qty. 1



M — End view; Vue de l'extrémité; Vista lateral



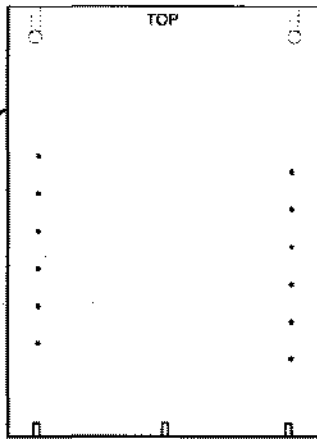
R — Upper Door — Qty. 2



S — Lower Door — Qty. 2

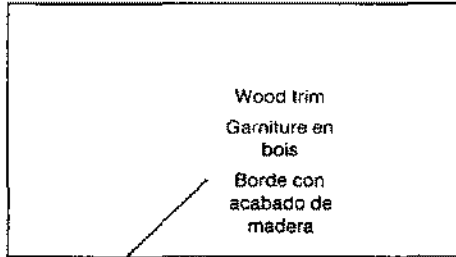


N — Embossed Moulding — Qty. 1



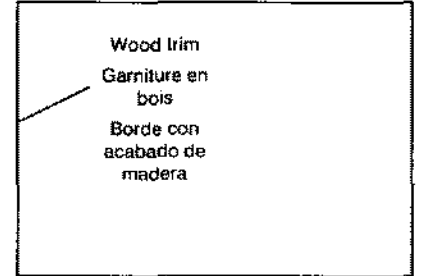
O — Vertical Divider — Qty. 1

Wood trim
Garniture en bois
Borde con acabado de madera



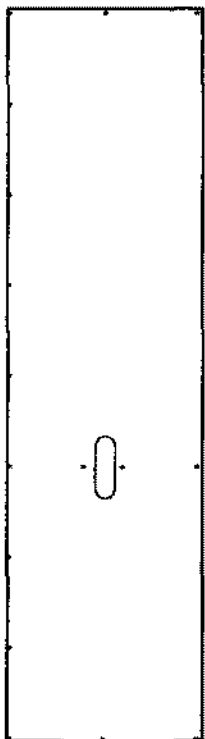
T — Large Adjustable Shelf — Qty. 1

Wood trim
Garniture en bois
Borde con acabado de madera

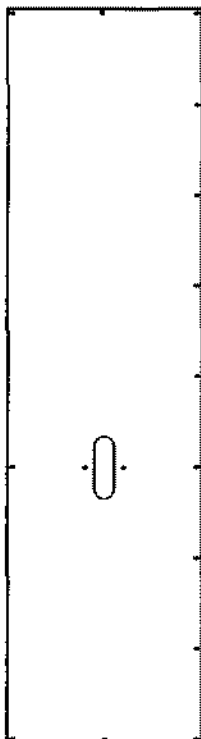


U — Small Adjustable Shelf — Qty. 2

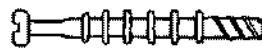
Wood trim
Garniture en bois
Borde con acabado de madera



P — Left Back — Qty. 1



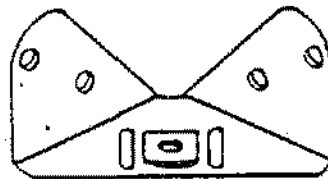
Q — Right Back — Qty. 1



V — Cam Connector — Qty. 22



W — Cam Housing — Qty. 22



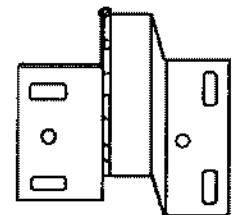
X — Corner Brace — Qty. 2



Y — Adjustable Glidé — Qty. 2



Z — Tack Glidé — Qty. 2



ZA — Hinge — Qty. 8






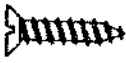


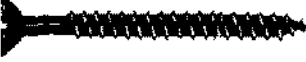
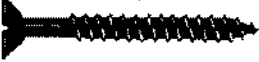


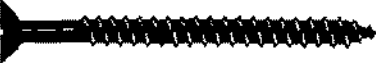



ZB — Knob — Qty. 4



ZC — Shelf Bracket — Qty. 12

726W Cambridge Entertainment Center – Parts List (cont.)

| | | | |
|---|---|--|---|
|  |  |  |  |
| ZD — #8 x 5/8" Pan Head Screw — Qty. 8 | ZE — #6 x 3/8" Brass Screw — Qty. 12 | ZL — Plastic Back Channel — Qty. 1 | ZM — Finish Washer — Qty. 2 |
|  |  |  |  |
| ZF — #8 x 1" Machine Screw — Qty. 4 | ZG — #6 x 5/8" Flat Head Screw — Qty. 48 | ZN — Magnetic Catch — Qty. 2 | ZO — Double Magnetic Catch — Qty. 1 |
|  |  |  |  |
| ZH — 1 5/8" Black Screw — Qty. 5 | ZI — 1 1/4" Black Screw — Qty. 14 | ZP — Door Skirt — Qty. 1 | ZQ — Locking Plug — Qty. 2 |
|  |  | | |
| ZJ — 2" Black Screw — Qty. 7 | ZK — #6 x 5/8" Philtruss Antique Brass Screw — Qty. 38 | | |

ASSEMBLY INSTRUCTIONS

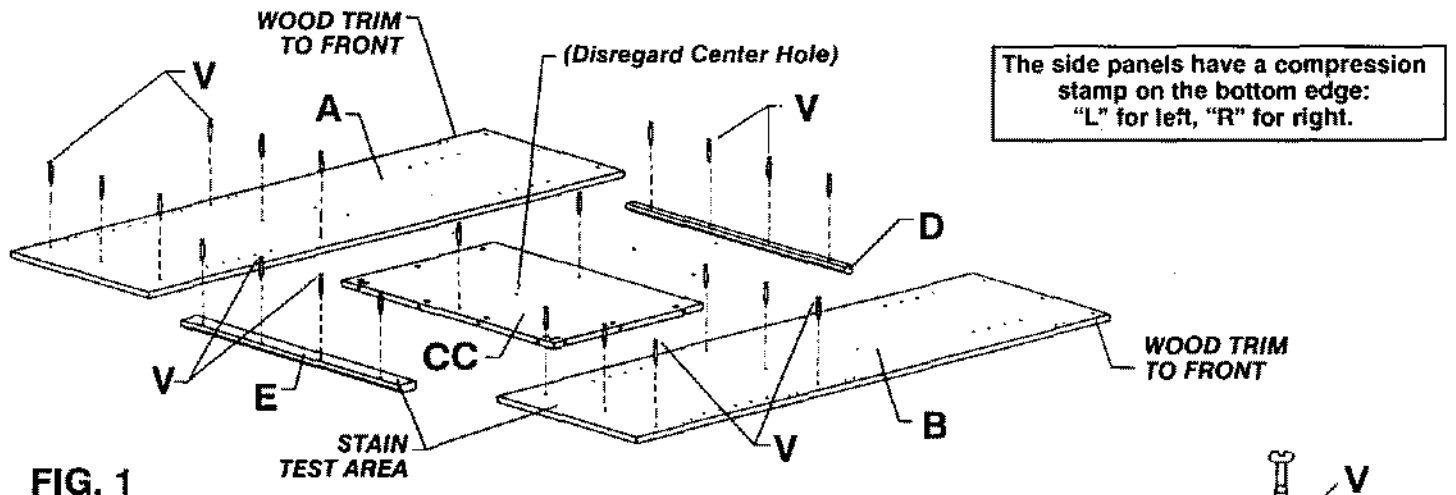
TOOLS REQUIRED: Phillips Screwdriver, Slotted Screwdriver, Tape Measure, Hammer, Wood Glue.

IMPORTANT:

NOTE: Due to the fact that more than one type of hardwood is used, we recommend testing for desired color.

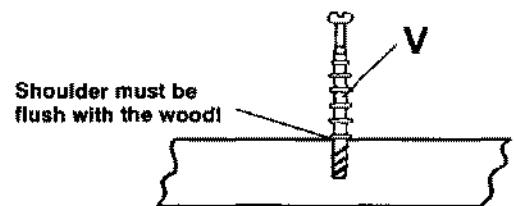
To test for desired color on: a) Veneer parts – apply stain to unexposed portion of side panel.
b) Alder pieces – apply stain to back of base.

NOTE: In an effort to control costs and preserve natural resources, we remanufacture some components, cutting them into smaller parts to eliminate the defects. This may result in some holes or grooves appearing in inconspicuous locations such as the bottom of the bottom shelf. These extra holes should be disregarded in assembling your product.



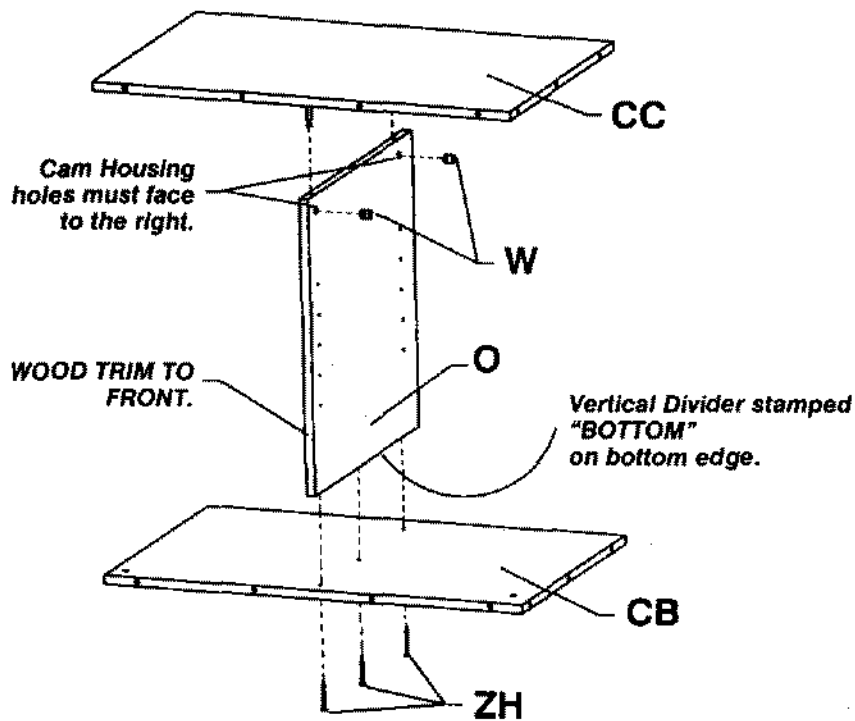
READ CAM-LOCK INSTRUCTIONS

- 1) Install Cam Connectors (V):
 - six in each Side Panel (A&B)
 - four in Center Shelf Moulding (D)
 - four in Base (E)
 - two in bottom surface of one Center Shelf (CC) (*Disregard the hole in the center.*)



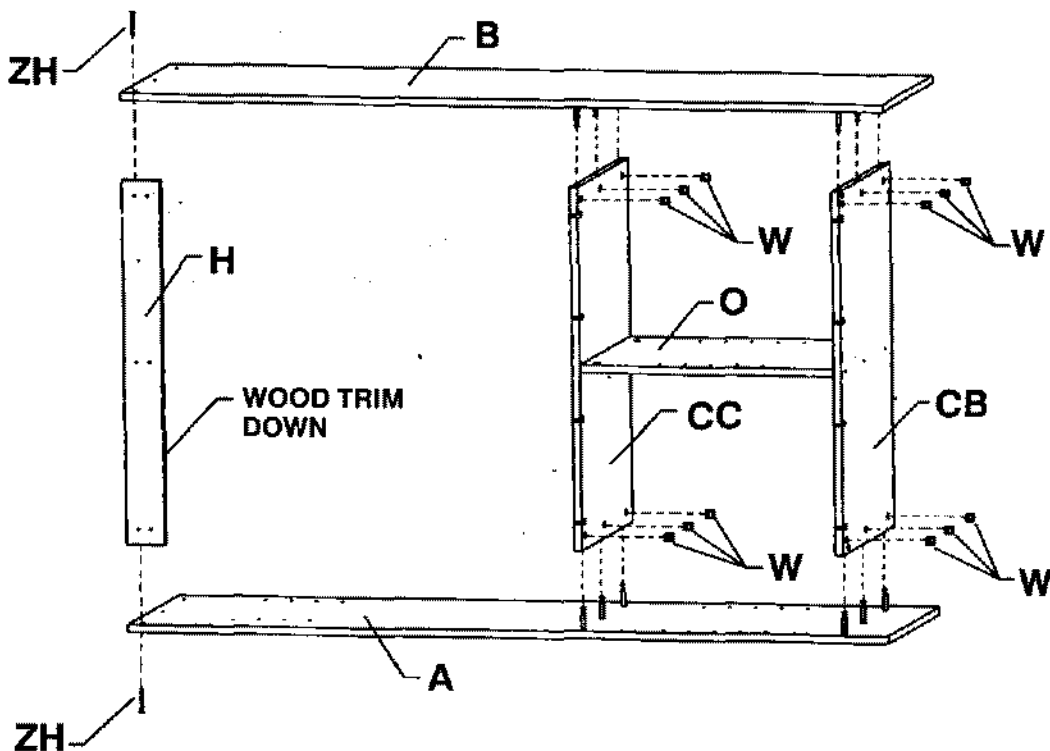
DO NOT IMBED THE SHOULDER INTO THE WOOD!

FIG. 2



- 2) Attach the Vertical Divider (O) to the bottom of the Center Shelf with two Cam Housings (W). The four holes in one edge of the center shelf and bottom shelf must face the same direction as the wood trim on the vertical divider. Start three $1\frac{5}{8}$ " Black Screws (ZH) through the predrilled holes across the center of the Bottom Shelf (CB) so that they start to come through the top of the shelf. Line up the screws with the holes in the bottom edge of the vertical divider and fasten securely.

FIG. 3



- 3) Attach Left Side Panel (A) to Center Shelf (CC) and Bottom Shelf (CB) with Cam Housings (W). Attach the Crown (H) to the Left Side Panel with a $1\frac{5}{8}$ " Black Screw (ZH) through the predrilled hole in the side panel into the crown. Attach Right Side Panel (B) in same manner.

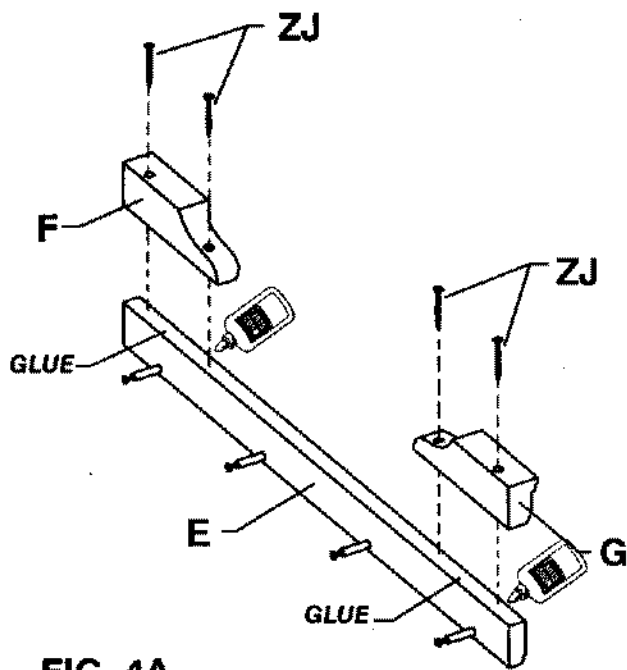


FIG. 4A

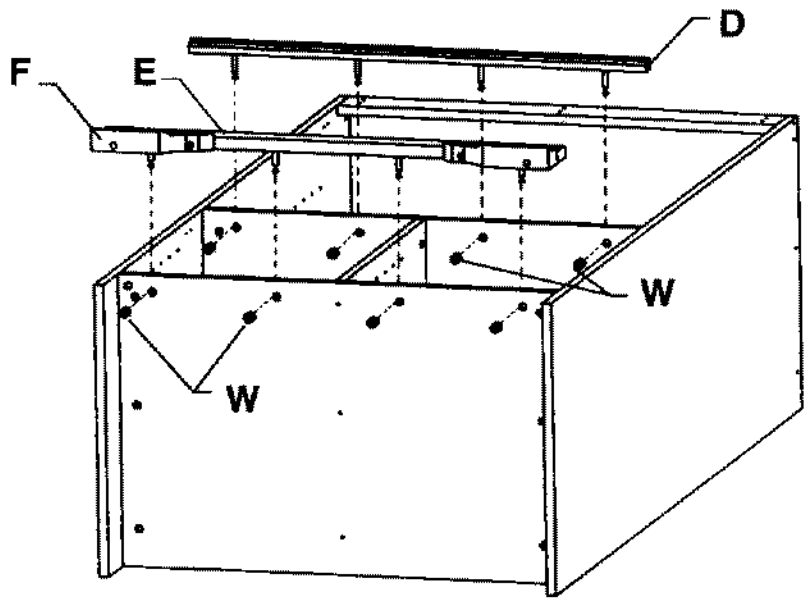


FIG. 4

- 4) Attach both the Left Foot (F) and Right Foot (G) to the base with glue and two 2" Black Screws (ZJ). Make sure that the ends and back of feet are flush with base. Attach the Base (E) to the bottom shelf with Cam Housings (W).

Attach the Center Shelf Moulding (D) to the front of the Center Shelf (CC) having the cam connectors in the bottom. Use four Cam Connectors (V) and Cam Housings (W). The moulding will overhang the bottom of the shelf.

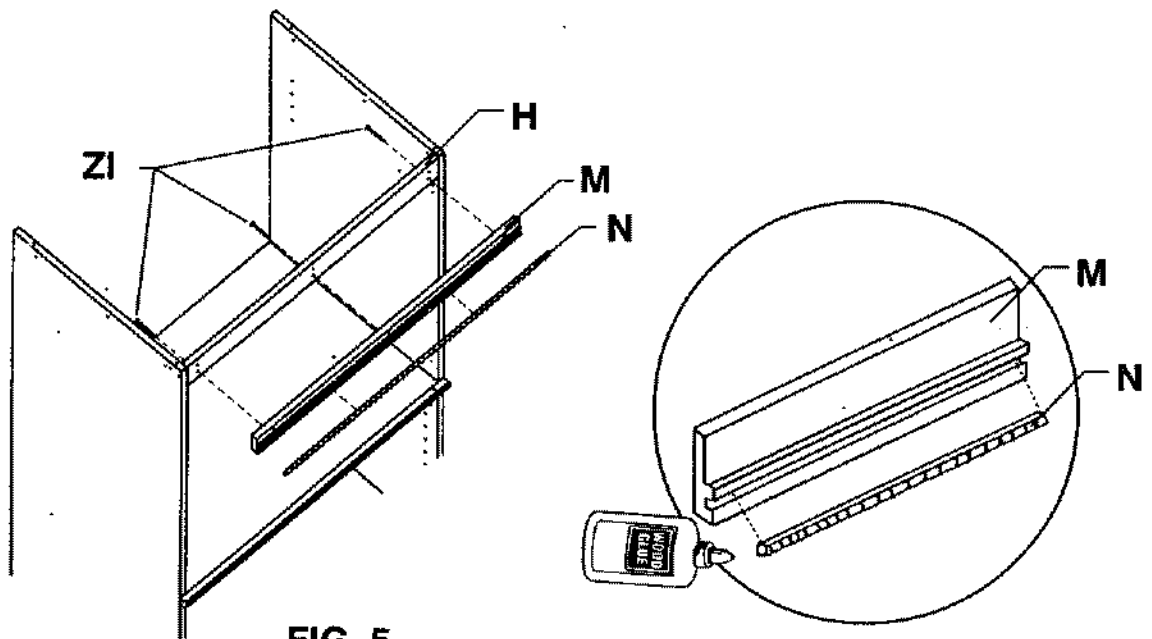
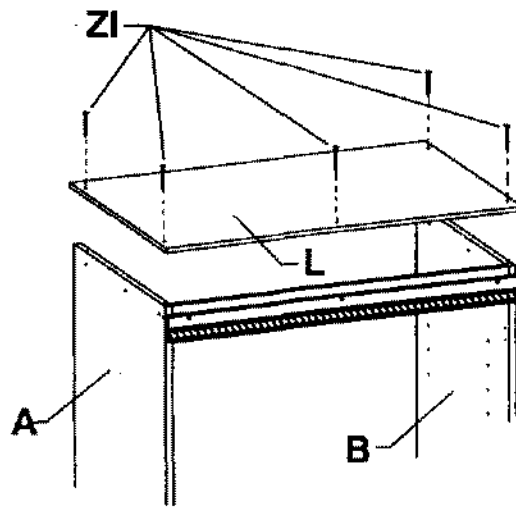


FIG. 5

- 5) With the notch for the embossed emblem toward the bottom, attach the Crown Spacer (M) to the Crown (H) with three 1 1/4" Black Screws (ZI) through the lower predrilled holes in the crown into the pilot holes in the crown spacer. The upper unused holes in the crown and crown spacer should line up. The top edge of the crown spacer will be about one inch below the top edge of the crown. Glue the Embossed Moulding (N) into the groove in the crown spacer.

FIG. 6



- 6) First attach the Top (L) to the Left and Right Side Panels, and then the Crown with 1 1/4" Black Screws (ZI) through the predrilled holes in the top, and side panels. The top will extend approximately 1" beyond the front of the side panels and 3/8" over the sides.

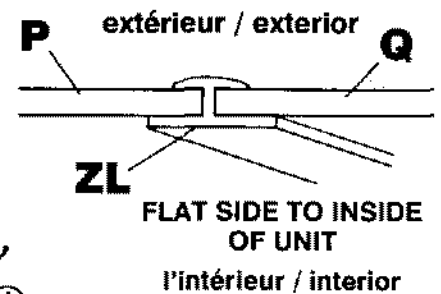


FIG. 7B

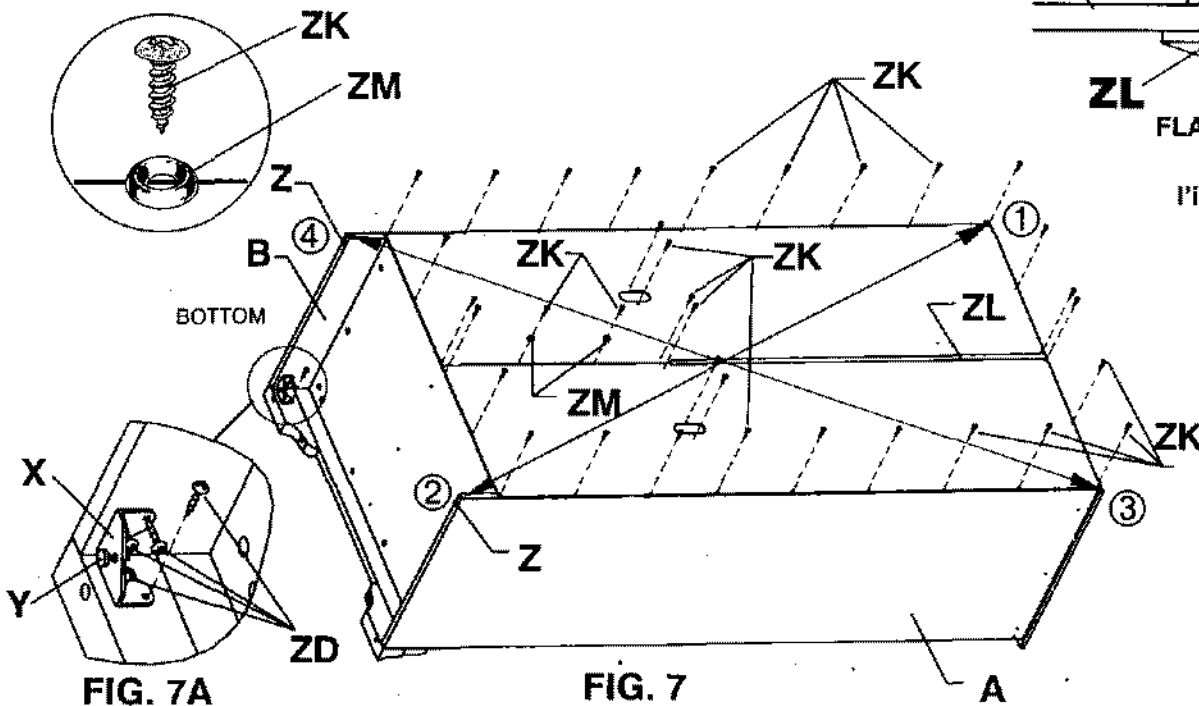


FIG. 7A

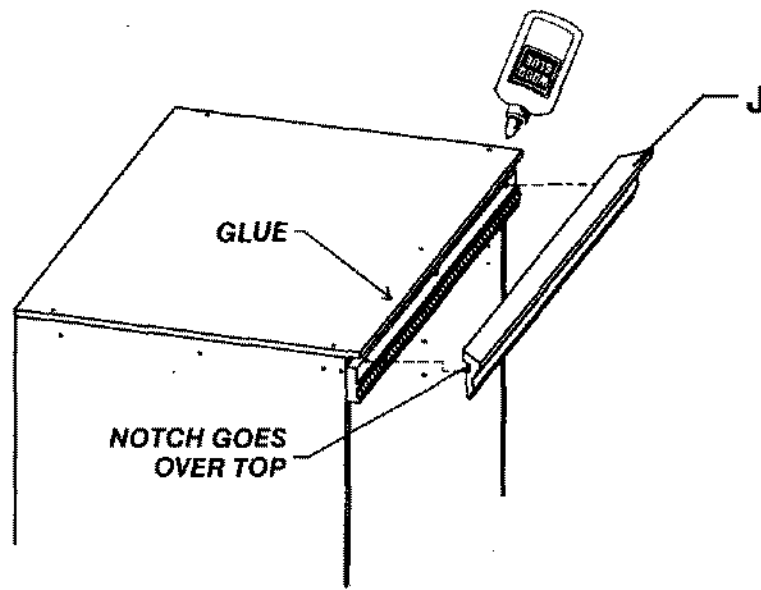
FIG. 7

- 7) With the unit laying face down on a protected surface, measure from left top to bottom right (1/2) and from right top to bottom left (3/4). Measurements should be equal. If line 1/2 is longer, tap bottom of Left Side Panel (A) until measurements are equal. If line 3/4 is longer, tap bottom of Right Side panel (B).

Slip Plastic Back Channel (ZL) over upper inside edges (between top and center shelf) of Left Back (P) and Right Back (Q) and attach Backs using #6 x 5/8" Philtruss Screws (ZK) through the predrilled holes. Screw two #6 x 5/8" Philtruss Screws (ZK) with Finish Washers (ZM) into the vertical divider between the backs in line with the screws in outer edge of backs. Measure up 1/2" from bottom of each foot and mark for positioning of Corner Braces (X). Attach a corner brace to each foot and side panel with #8 x 5/8" Pan Head Screws (ZD). Insert Adjustable Glides (Y) all the way into corner braces.

Hammer Tack Glides (Z) into bottom of side panels about one inch from back edge.

FIG. 8



- 8) With unit standing upright, place a small bead of glue along the front edge of the top. Insert the notch on the backside of the Center Crown Moulding (J) over the front edge of the Top, align it side to side on the crown spacer and attach with three 2" Black Screws (ZJ) through the predrilled holes in the crown.

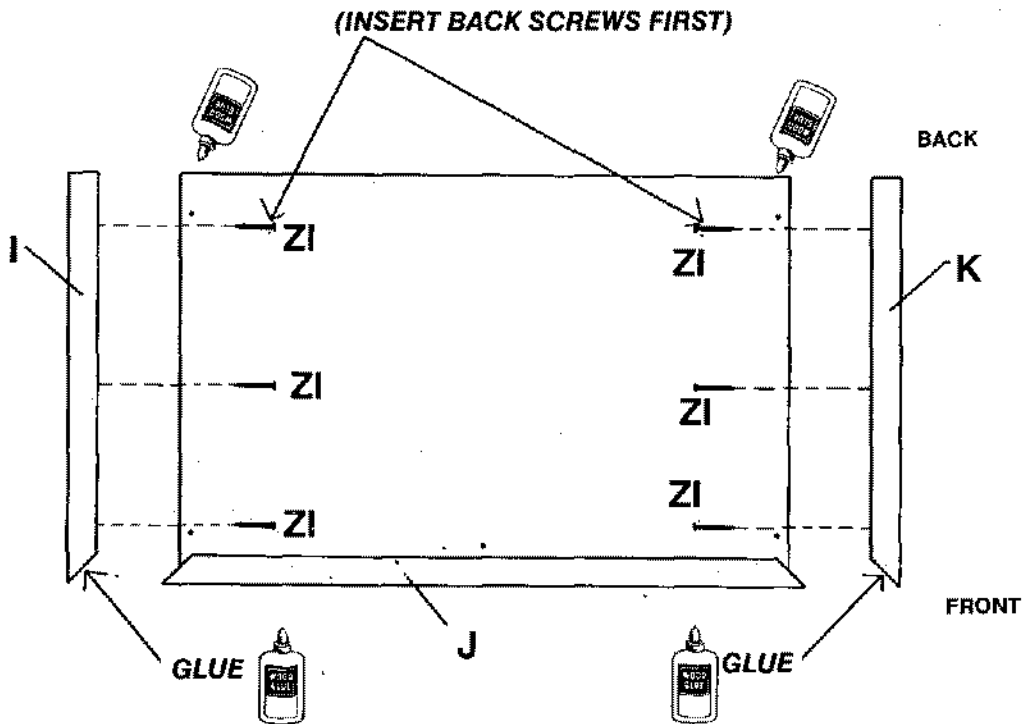


FIG. 9

- 9) Place a small amount of glue on the left side of the Top and the mitered corner of the Left Crown Moulding (I) before carefully aligning the moulding so that the front mitered corner matches up with the corner of the Center Crown Moulding (J). Starting from the back, attach the Left Crown Moulding to the side panel with three 1¼" Black Screws (ZI) through the predrilled holes in the side panel into the crown moulding.

Repeat above steps for the Right Crown Moulding (K).

FIG. 10

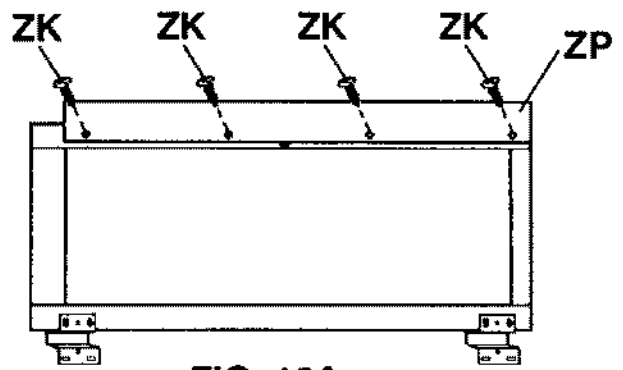
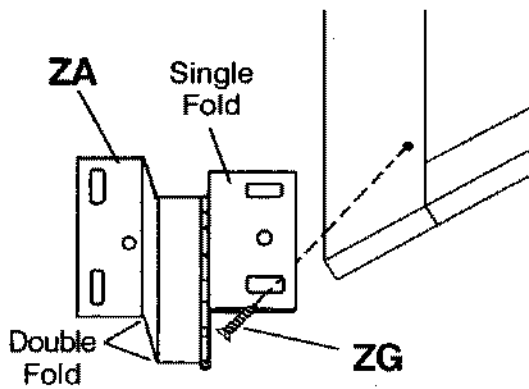


FIG. 10A

- 10) Attach the backfold Hinges (ZA) to each end of the outer edge of the Upper and Lower Doors (R&S) with #6 x 5/8" Brass Screws (ZG) through the elongated holes. The outer screw goes into the predrilled hole in the door. The end of the hinge with the single fold should be attached with its side and top flush against the door. See FIGURE 10.

The Door Skirt (ZP) may be attached to either the left or right Upper Door. With the Upper Door laying face down, measure in 5/8" from the outer edge and draw a light line. Lay the inner edge of the Door Skirt (ZP) on the line, with the bottom edge flush with the bottom of the door. Attach the Skirt to the door with four #6 x 5/8" Philtruss Screws (ZK) through the predrilled holes in the skirt.

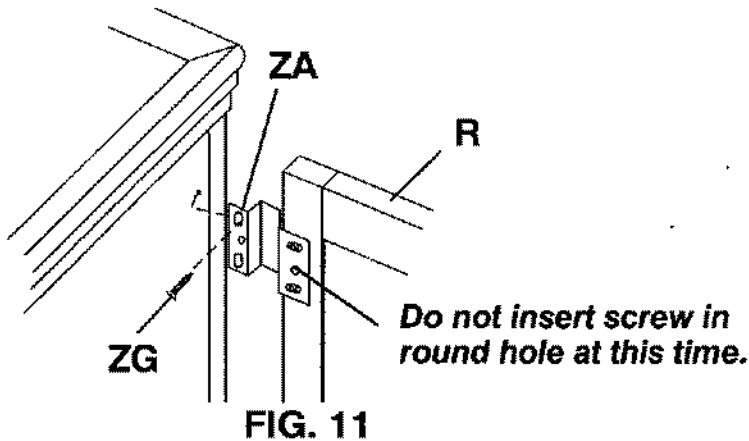


FIG. 11

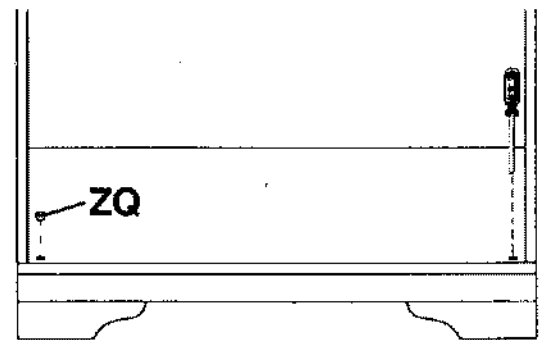


FIG. 12

- 11) With the unit standing upright, attach the upper doors to the side panels with two #6 x 5/8" Brass Screws (ZG) through the elongated holes. In each side panel there is a pre-punched mark for the location of the uppermost screw in each hinge. Open and close the doors to check for proper alignment. If adjustment is required, loosen the screws and move the doors up or down as necessary.

Attach the lower doors in the same way.

- 12) Level the unit by turning the adjustable glides in the corner braces. The bottom shelf has two holes near the front for access to the adjustable glides. Insert slotted screwdriver into the slot in top of the adjustable glide and turn clockwise to raise and counter-clockwise to lower unit. Insert Locking Plugs (ZQ) when unit is level.

IMPORTANT NOTICE: Uneven setting of the adjustable glides can twist the unit and cause the doors to appear out of alignment. Upon selection of the final location of the unit, rotate the adjustable glides until the unit stands level. If the doors still appear to be out of alignment, the elongated holes in the hinges allow for adjustment of the doors. Loosening the screws in the side panel will allow the door to be moved up or down. The hinges on both doors may have to be loosened to align the doors properly. Align the doors and retighten all screws.

Once you have the doors properly aligned and the unit in its final location, open the doors and insert the third screw into the round hinge hole.

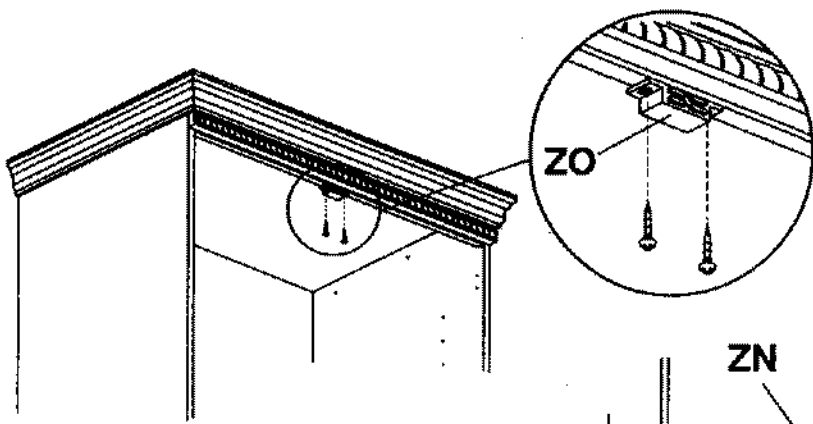


FIG. 13

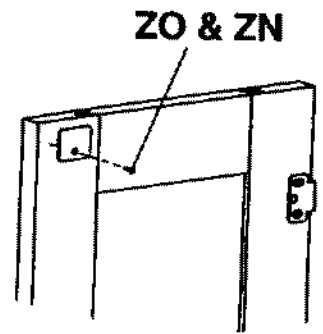


FIG. 13A

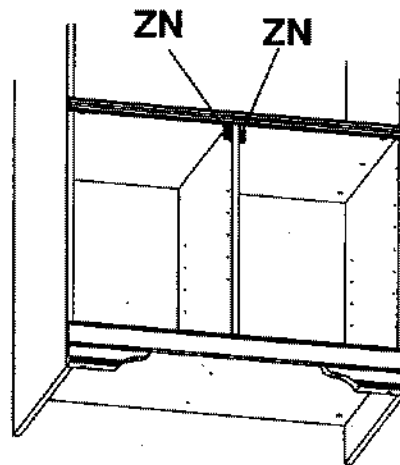


FIG. 13B

- 13) Attach the Double Magnetic Catch (ZO) to the bottom of the crown spacer centered side to side and flush with front edge using pan head screws included in catch kit. Attach the catch plates to the upper inside edge of the upper doors where they will make contact with the magnetic catch using flat head screw included in the catch kit.

Mount the Single Magnetic Catches (ZN) for the lower doors to the vertical divider below the center shelf, flush with the front edge of the vertical divider. Mount one slightly below the other so that the screws for both catches will not be exactly opposite.

Attach the catch plates to the upper inside edge of the lower doors where they will meet the catches.

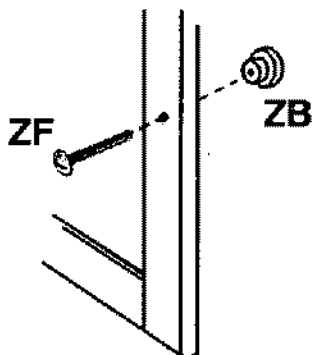


FIG. 14

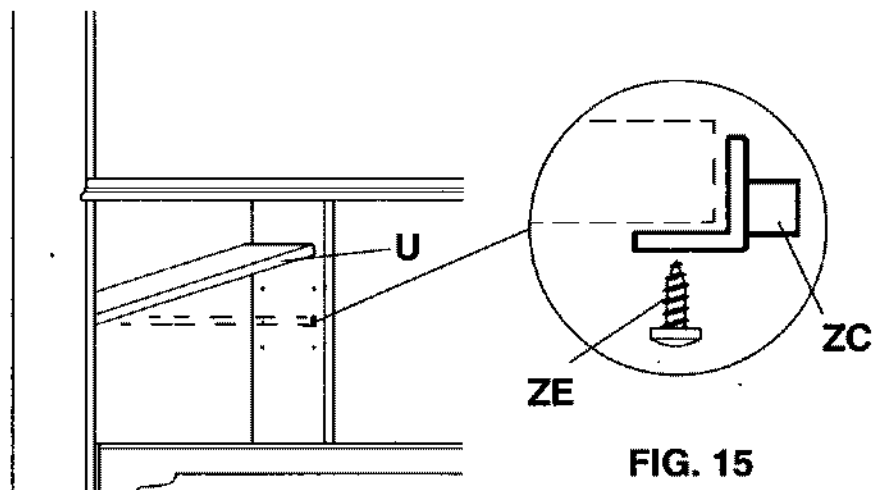


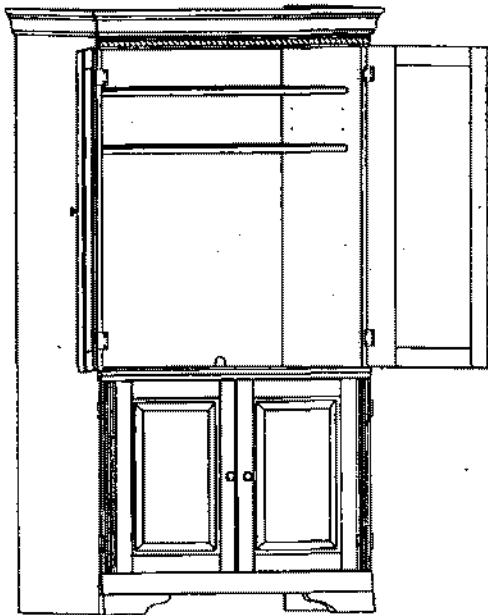
FIG. 15

- 14) Attach the Knobs (ZB) to the doors using #8 x 1" Machine Screws (ZF).

- 15) Install Adjustable Shelves (T&U) in desired locations using the Shelf Brackets (ZC). Fasten in place with #6 x 3/8" Brass Screws (ZE).

Modification Kit Available

This 726W Cambridge Entertainment Center can be modified into a wardrobe. Two different modification kits are only available directly from Whittier Wood Products. Refer to the following items when placing your order.

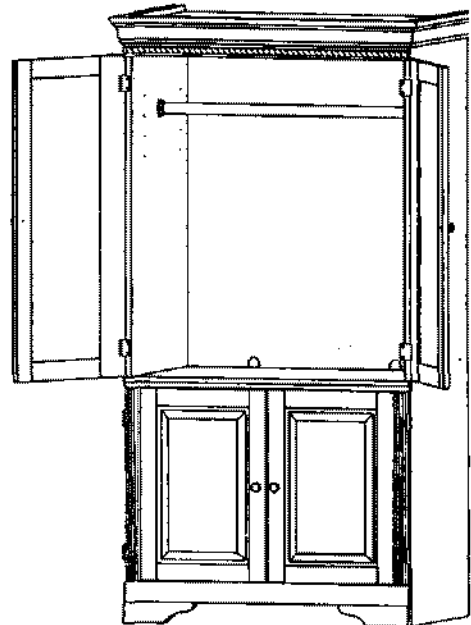


#99781

Large Shelf Kit

Includes one shelf, hardware
and instructions.

(Unit comes with one shelf.)



#99782

Wardrobe Rod Kit

Includes rod, hardware
and instructions.

These modifications provide additional versatility for storing clothing, linens and more.

Please contact our customer service department at 1-800-653-3336 if you have questions or would like to place an order. Item price, shipping and handling can be quoted at the time of your call.

