

Model #

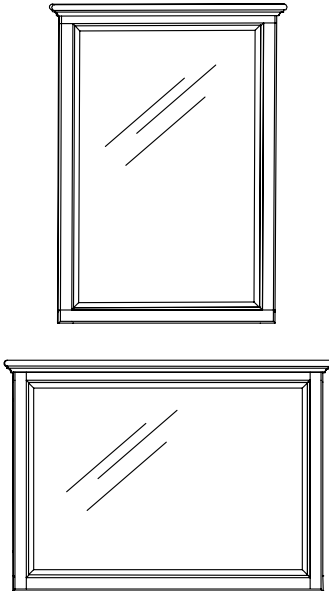
1500AFGACb; 1500AFCAFb

Beveled Mirror

AFGAC = Glazed Antique Cherry finish

AFCAF = Caffè finish

Assembly Instructions



IMPORTANT NOTES:

- For normal household use only. *Not* recommended to use this product in a commercial setting.
- Handle the mirror with care. Glass is fragile.
- Before you begin your project, completely read the Assembly Instructions.
- Store this item: 1- in its box; 2- in a dry place; 3- in temperatures that range from 40°F to 90°F (not on a cold and possibly damp cement floor).
- Periodically inspect your furniture for any loose glue joints, screws or any other problem that might affect the stability of your furniture. Tighten or repair as needed.

DESIGN SUBJECT TO CHANGE WITHOUT NOTICE

Congratulations!

This fine piece of furniture will make a gorgeous addition to your home. For the best results, read the Assembly Instructions before you begin your project.



CALL US FIRST! *Do not return this item to the store.*

Service Policy: We will replace any part that is defective, missing or damaged during assembly. For a replacement part, phone, fax, mail or email your request to the Whittier Wood Products customer service department.

Hours: Our friendly customer service staff can be reached Monday-Friday 7:00 a.m. to 5:00 p.m. (Pacific Time). You may leave a message 24 hours a day, seven days a week.

To Order: Provide the finish and furniture model number (upper portion of this page), the part letter, production code, quantity needed, reason for replacement and your full name, address and telephone number.

Parts ship from our Eugene, Oregon factory within one or two business days from the time we receive your request. Please allow five to ten business days for delivery.

800-653-3336 • Outside the U.S. or Canada: 541-687-0213 • Fax: 541-687-2060
www.whittierwood.com • P.O. Box 2827 • Eugene, Oregon 97402, U.S.A.

**Whittier
Wood**
FURNITURE

P.O. Box 2827
Eugene, OR 97402 USA

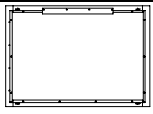
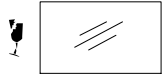
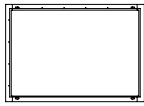
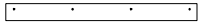


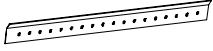
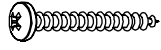




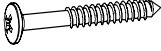

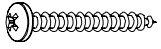



Production Code:

VN

12/11

1500AFGACb; 1500AFCAFb Beveled Mirror Parts List

Please identify the parts and check that quantities received match those on this list.
If you need to replace a part, refer to the following letter and part name.

Part	Description		Quantity
Ab	Mirror Assembly		1
B	Mirror		1
Cb	Mirror Frame (attached)		1
D	Mirror Frame Bracket (attached)		1
F	Short Top		1
G	Long Top		1
H	Mirror Wall Bracket		1
I	#8 x 1-3/4" Pan Head Screw		2
K	#8 x 1-1/4" Black Screw		4
L	#6 x 3/4" Flat Head Screw (inserted)		4
N	Mirror Support		2
O	M4 x 41 mm Machine Screw		4
P	#7 x 1-1/2" Black Pan Head Screw		4
Q	Pad Strip		3
R	#8 x 1-1/4" Pan Head Screw (inserted)		4
S	Short Mirror Support (attached)		2
T	Long Mirror Support (attached)		2
U	#6 x 5/8" Philtruss Screw (inserted)		14

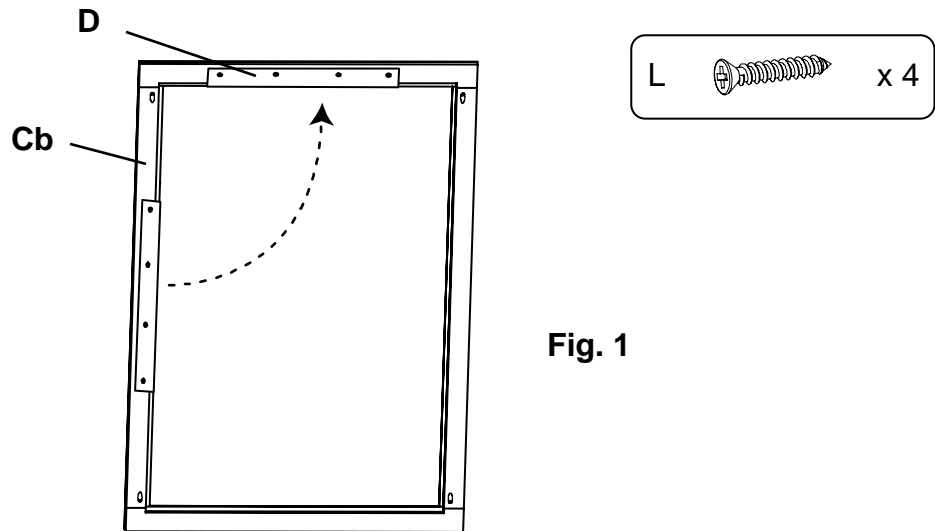
1500AFGACb; 1500AFCAFb Beveled Mirror

Assembly Instructions

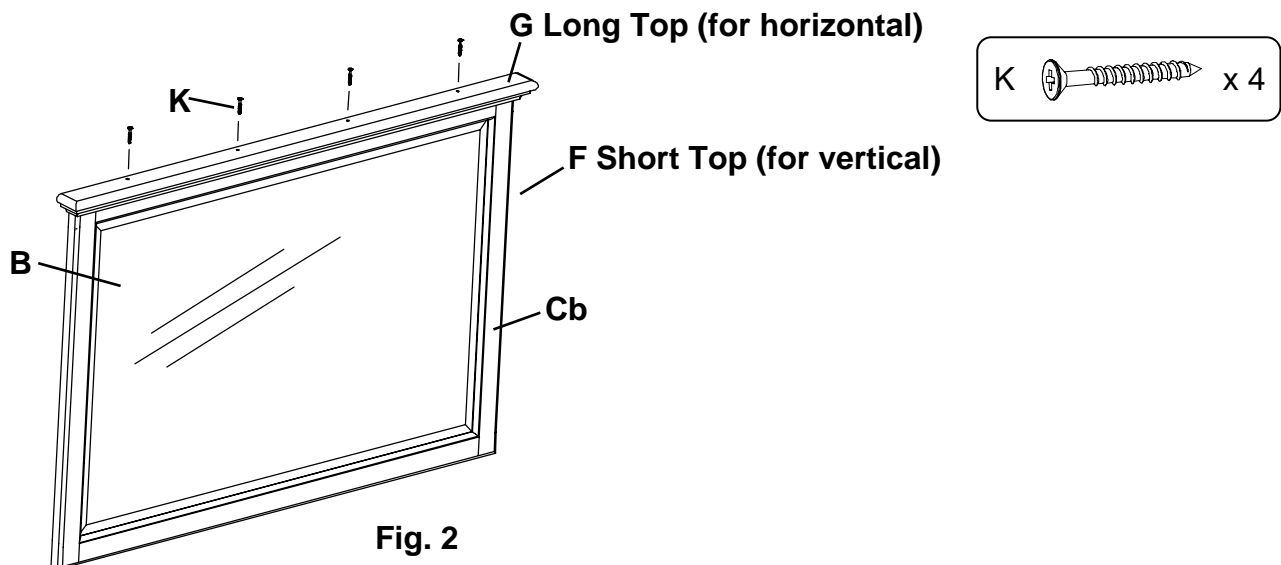
Tools Required: Phillips Screwdriver, Tape Measure, Pencil

You have the option of attaching your Mirror to the wall or to selected McKenzie Dressers. To attach your Mirror to the wall, follow steps 1 – 5. To attach the Mirror to a McKenzie Dresser, follow steps 6– 12.

1. Decide if you want your Beveled Mirror to hang either vertically or horizontally. If you want it to hang vertically, remove the Mirror Frame Bracket (D) and line it up to the predrilled holes on the short side of the Mirror Frame (Cb) as in Figure 1. Attach with four #6 x 3/4" Flat Head Screws (L).



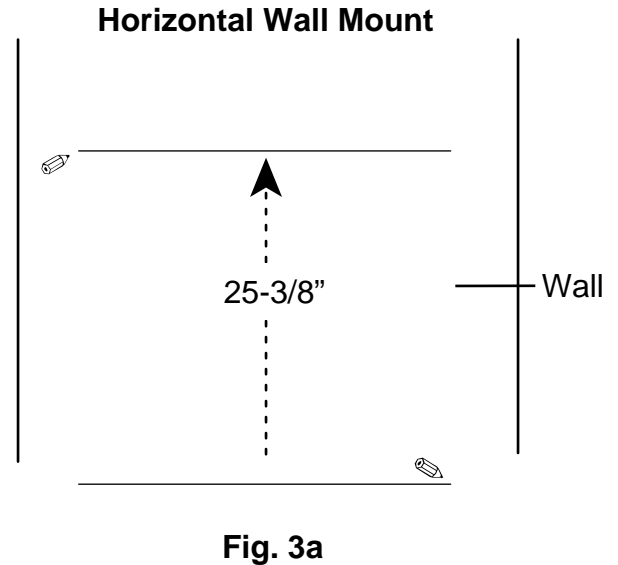
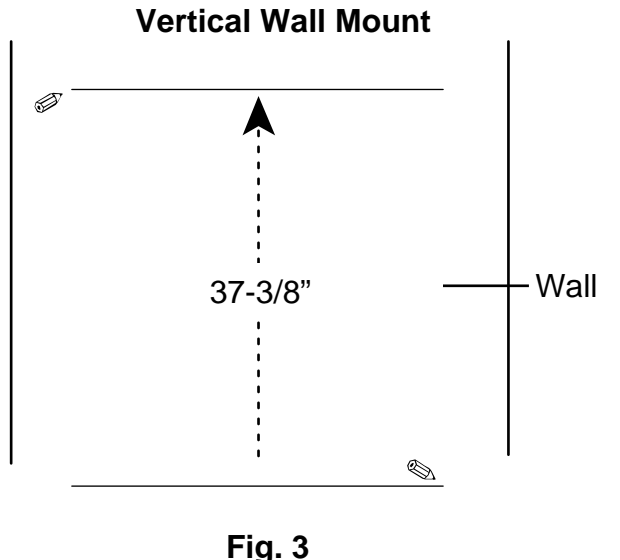
2. If you want a top on the mirror, attach the Short Top (F) or the Long Top (G) to the Mirror Frame (Cb) with four #8 x 1-1/4" Black Screws (K) as shown in Figure 2.



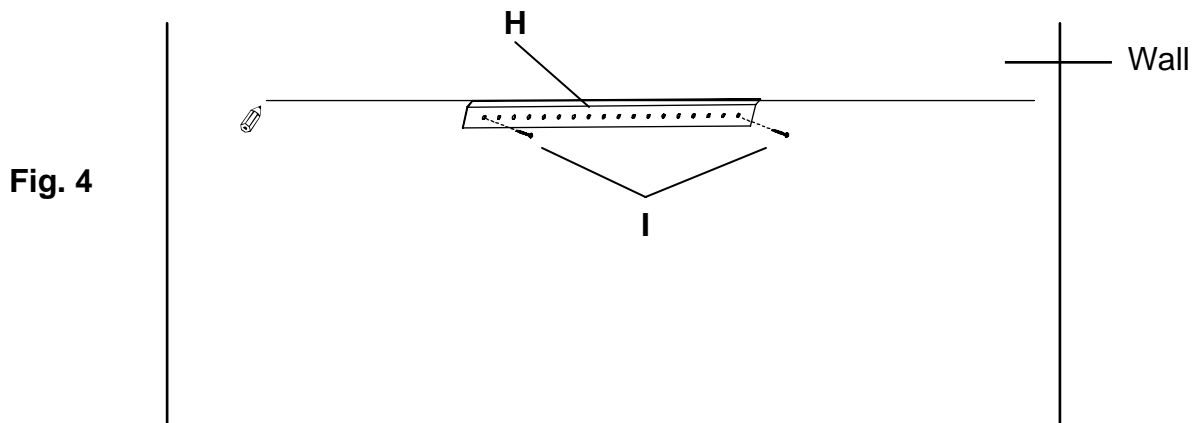
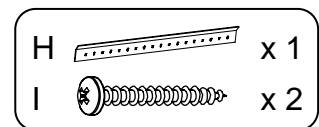
1500AFGACb; 1500AFCAFb Beveled Mirror

Assembly Instructions

3. Determine where you want the bottom of your mirror to end and draw a faint pencil line on the wall. For a vertical placement, use a tape measure and measure up $37\text{-}3/8"$ from that mark. Draw a faint line. For a horizontal placement, measure up $25\text{-}3/8"$. Draw a faint line. The top line is where you attach the Mirror Wall Bracket (H). If you like, you can erase the faint bottom pencil mark. See Figures 3 and 3a.



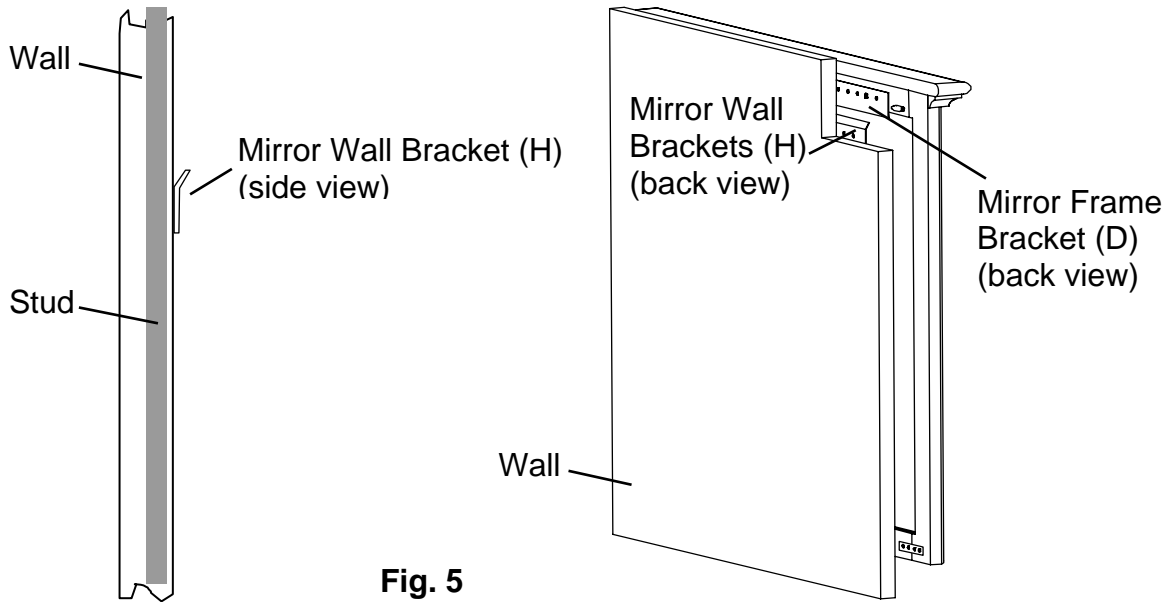
4. Locate two studs in the wall behind the space where you want to hang your Beveled Mirror. Affix the Mirror Wall Bracket (H) into the studs with two #8 x 1-3/4" Pan Head Screws (I). If you cannot locate two studs, purchase the proper wall attachment hardware for your type of wall and secure the bracket. See Figure 4.



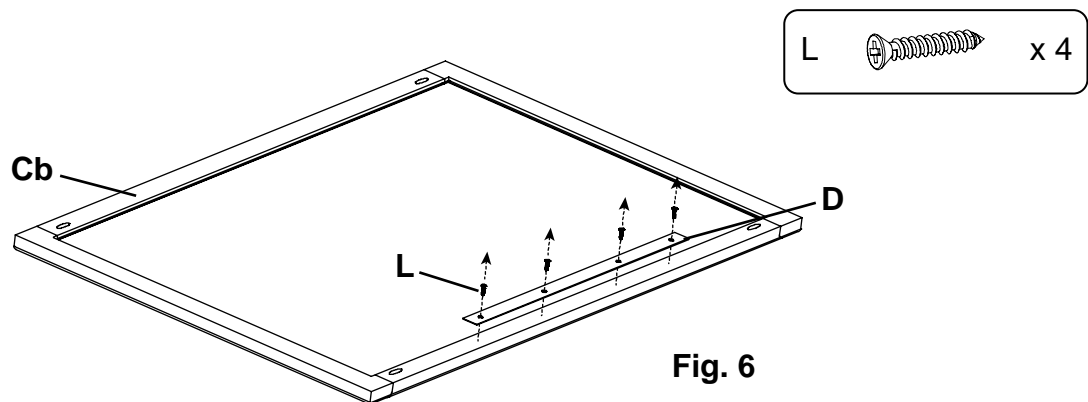
1500AFGACb; 1500AFCAFb Beveled Mirror

Assembly Instructions

5. NOTE: The Mirror Wall Bracket (H) angles out at the top. When you hang your Beveled Mirror, the Mirror Frame Bracket (D) fits over the angled part of the Mirror Wall Bracket (H). See Figure 5.

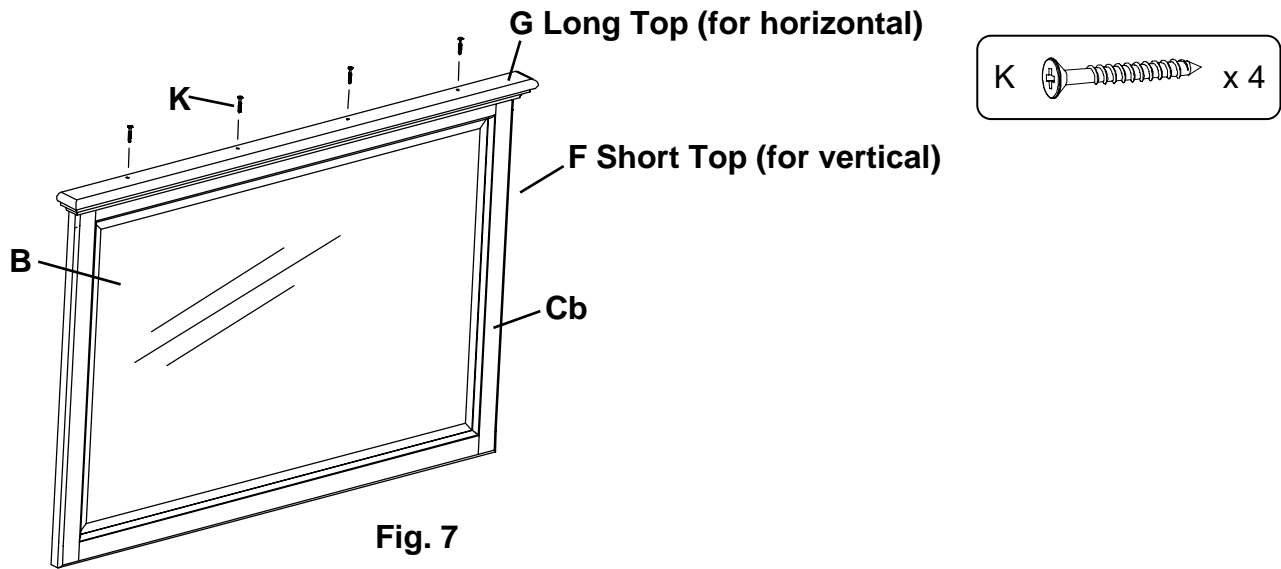


6. To attach the Mirror to a McKenzie Dresser, remove the Mirror Frame Bracket (D) that is attached to the Mirror Frame (Cb) as shown in Figure 6. Keep this bracket along with the Mirror Wall Bracket (H) and the four #6 x 3/4" Flat Head Screws (L) in the chance that in the future, you will want to mount the Mirror to the wall.



1500AFGACb; 1500AFCAFb Beveled Mirror
Assembly Instructions

7. If you wish to attach a Top, attach the Short Top (F) or the Long Top (G) to the Mirror Frame (Cb) with four #8x1-1/4" Black Screws (K) as shown in Figure 7.

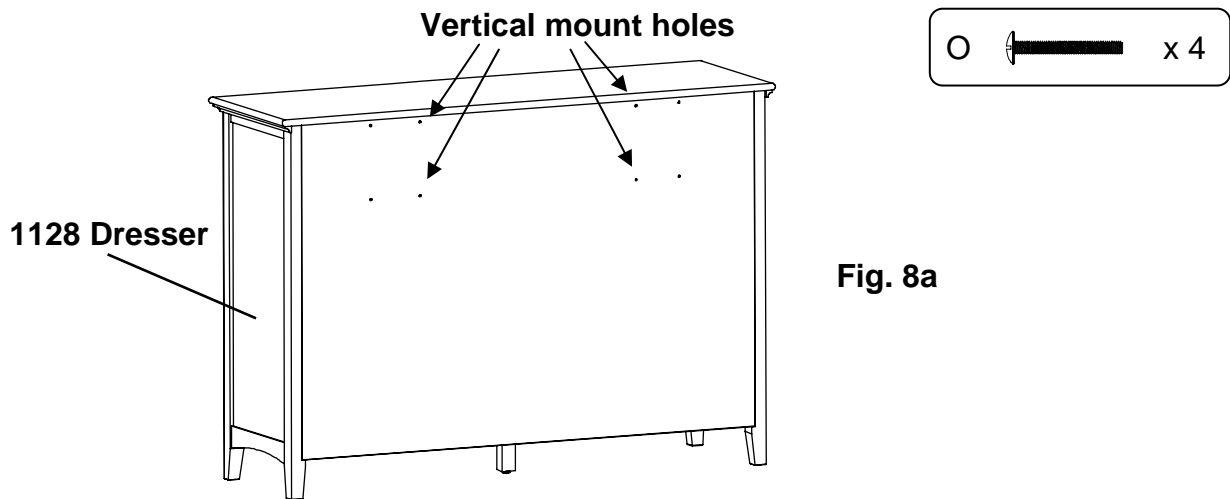
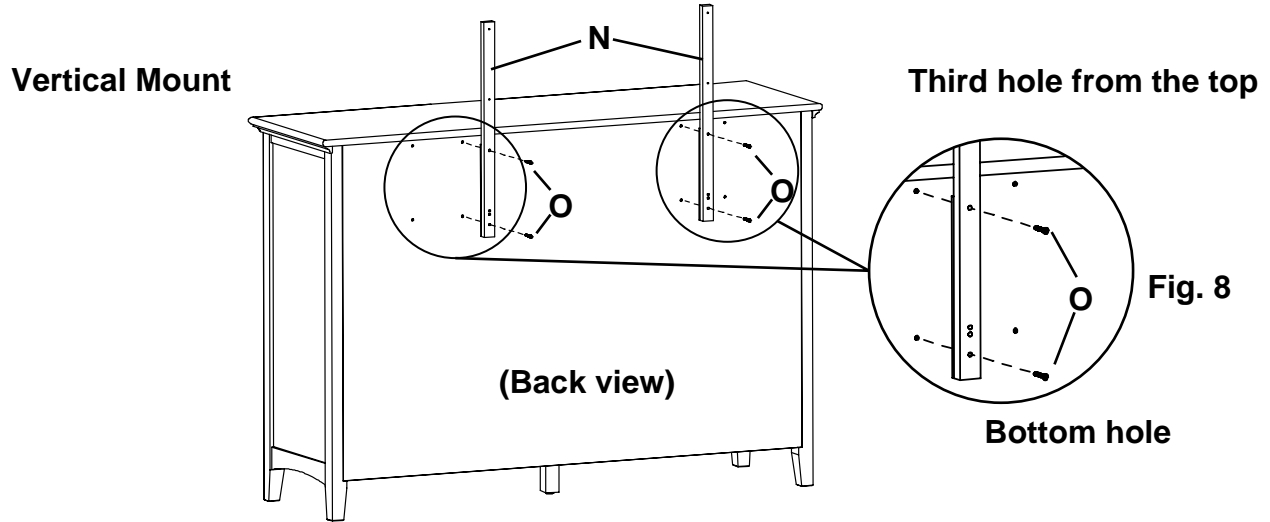


Continued on Page 7.

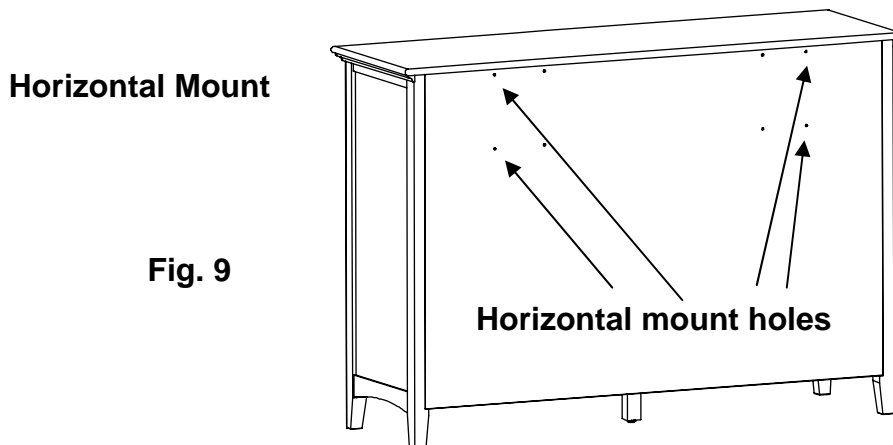
1500AFGACb; 1500AFCAFb Beveled Mirror

Assembly Instructions

8. To attach the Mirror vertically to the Dresser, use the predrilled holes in the back of the dresser and the predrilled holes noted as vertical mount holes in Figure 8a as guides. To attach the Mirror Supports (N), insert Machine Screws (O) into the third hole from the top and the bottom hole in each Mirror Support (N) and into the proper holes in the Back. See Figures 8 and 8a.

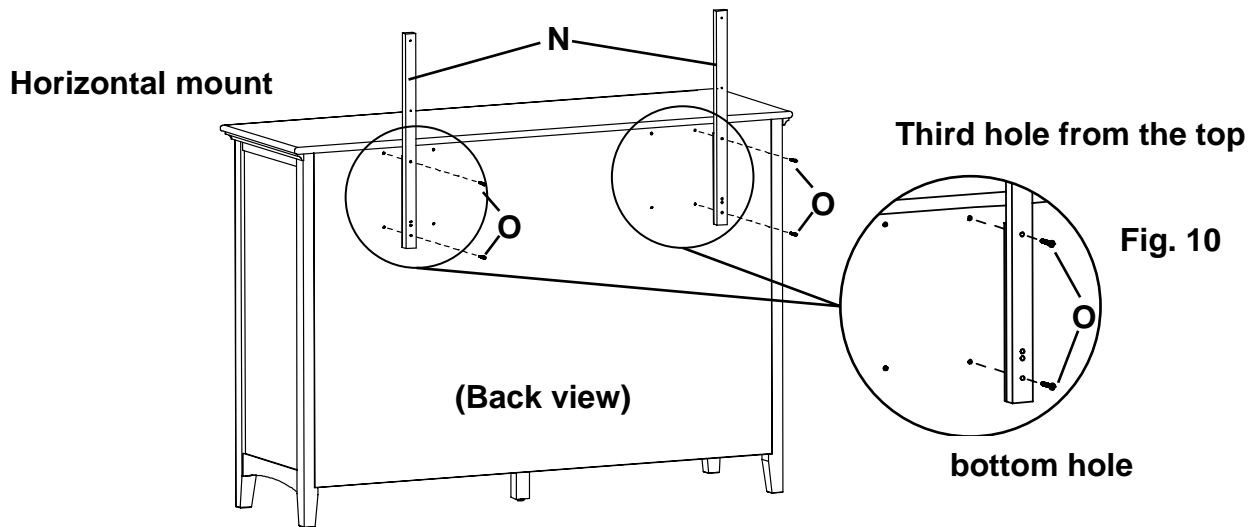


9. To attach the Mirror horizontally to the Dresser, use the predrilled holes in the back as noted in Figure 9.



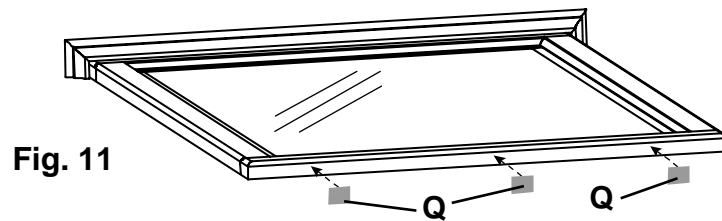
1500AFGACb; 1500AFCAFb Beveled Mirror Assembly Instructions

10. Attach the Mirror Supports by inserting Machine Screws (O) into the third hole from the top and the bottom hole of the Mirror Support and into the back. See Figure 10.

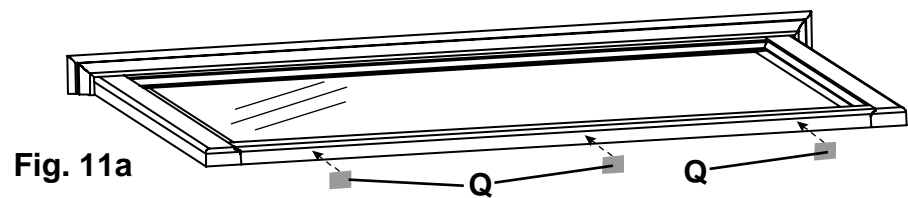


11. Peel off the backings on the Pad Strips (Q) and apply them to the bottom of the Mirror Assembly (Ab). See Figures 11 and 11a.

Vertical Mirror



Horizontal Mirror



1500AFGACb; 1500AFCAFb Beveled Mirror
Assembly Instructions

12. Place the Mirror on top of the Dresser and attach it to the Mirror Supports (N) with four #7 x 1-1/2" Black Pan Head Screws (P). See Figures 12 and 12a.

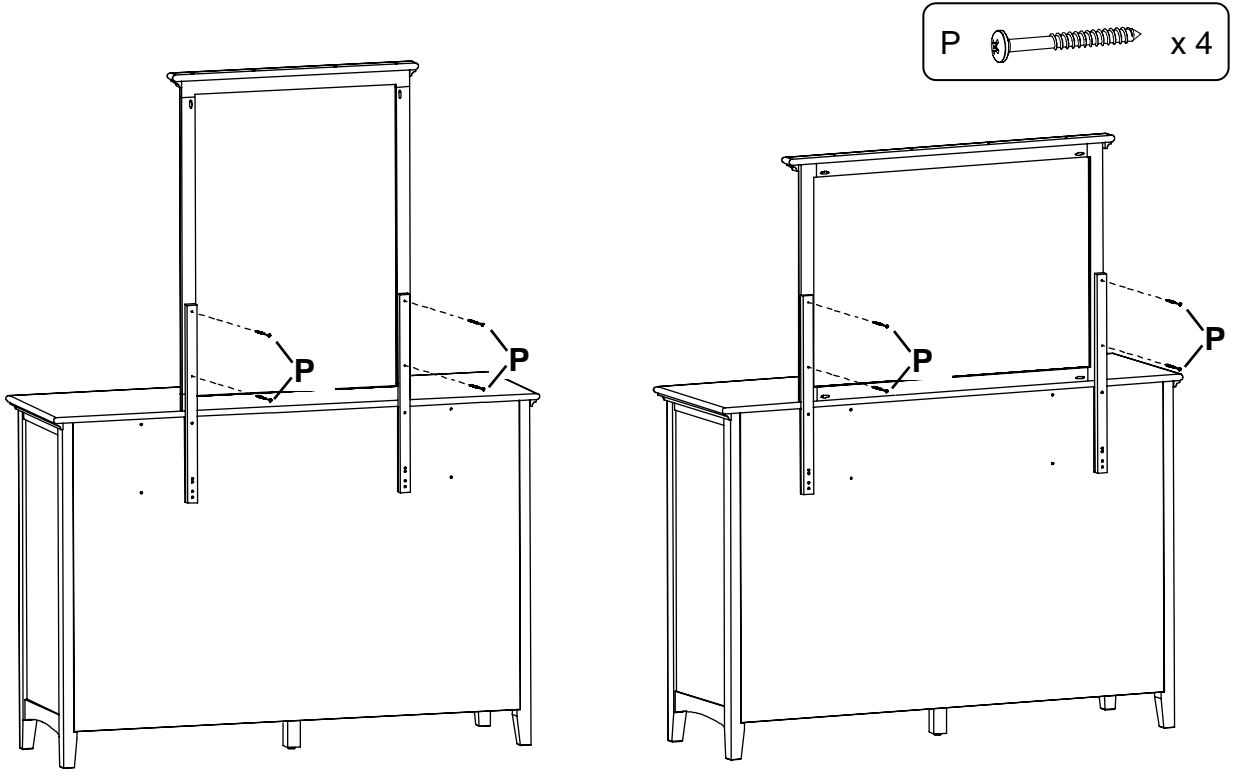


Fig. 12
Vertical Mirror

Fig. 12a
Horizontal Mirror