

McKenzie Dresser

AFGAC = Glazed Antique Cherry finish

AFCFA = Caffè finish

Assembly Instructions



**1127AFGACa;
1127AFCFAa
9-Drawer McKenzie
Dresser**



**1128AFGACa;
1128AFCFAa
10-Drawer McKenzie
Dresser**



**1182AFGAC;
1182AFCFA
12-Drawer McKenzie Dresser**

Congratulations!

This fine piece of furniture will make a gorgeous addition to your home. For the best results, read the Assembly Instructions before you begin your project.

! WARNING

Serious or fatal crushing injuries can occur from furniture tip-over. To help prevent tip-over:

- Place heaviest items in the bottom drawers.
- Unless specifically designed to accommodate, do not set TVs or other heavy objects on top of this product.
- Never allow children to climb or hang on drawers, doors or shelves.
- Never open more than one drawer at a time.

Properly installing tipping restraints can reduce but does not eliminate the risk of tip-over.



IMPORTANT NOTES:

- For normal household use only. **Not** recommended to use in a commercial setting.
- Do not climb, sit or stand on or in this piece of furniture.
- Unload items before you move this unit.
- Before you load or move this unit, tighten all screws and supports.
- Before you begin your project, completely read the Assembly Instructions.
- Store this item: 1- in its box; 2- in a dry place; 3- in temperatures that range from 40°F to 90°F (not on a cold and possibly damp cement floor).
- Periodically inspect your furniture for any loose glue joints, screws or any other problem that might affect the stability of your furniture. Tighten or repair as needed.

DESIGN SUBJECT TO CHANGE WITHOUT NOTICE.



CALL US FIRST! Do not return this item to the store.

Service Policy: We will replace any part that is defective, missing or damaged during assembly. For a replacement part, contact Whittier Wood Products customer service department by phone, fax, mail or email.

Hours: Our friendly customer service staff can be reached Monday-Friday 7:00 a.m. to 5:00 p.m. (Pacific Time). You may leave a message 24 hours a day, seven days a week.

To Order: Provide the finish and furniture model number (above the illustration of the unit), the part letter, production code, quantity needed, reason for replacement and your full name, address and telephone number.

Parts ship from our Eugene, Oregon factory within one or two business days from the time we receive your request. Please allow five to ten business days for delivery.

800-653-3336 • Outside the U.S. or Canada: 541-687-0213 • Fax: 541-687-2060
www.whittierwood.com • P.O. Box 2827 • Eugene, Oregon 97402, U.S.A.

**Whittier
Wood**
FURNITURE

P.O. Box 2827
Eugene, OR 97402 USA

Production Code:

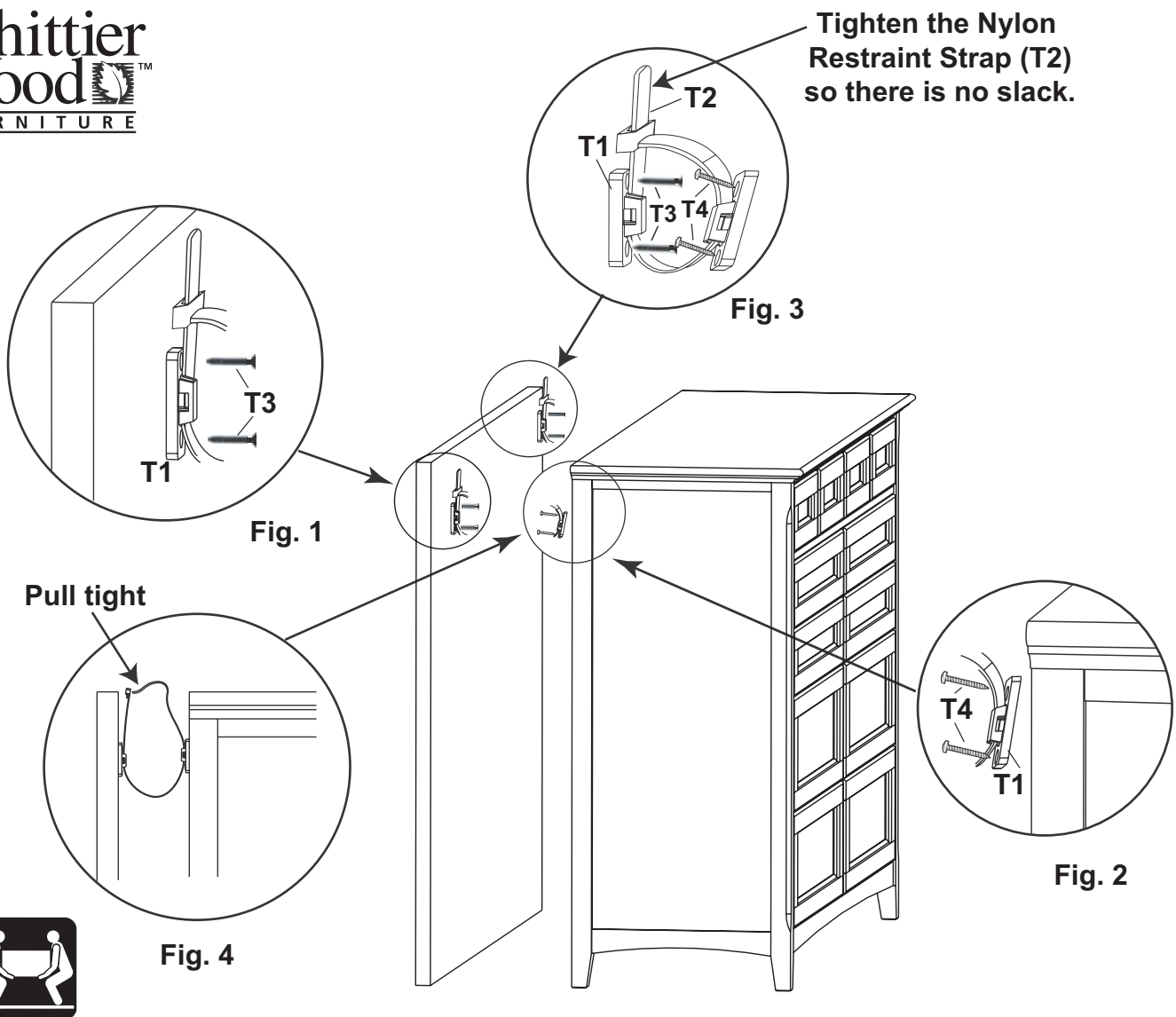
VN

08/11

1127AFGACa, 1128AFGACa, 1182AFGAC 1127AFCAFa, 1128AFCAFa, 1182AFCAF McKenzie Dresser – Parts List

Please identify the parts and check that quantities received match what is on this list.
If you need to replace a part, refer to the following letter and item name.

Part	Description	Quantity		
		1127AFGACa 1127AFCAFa	1128AFGACa 1128AFCAFa	1182AFGAC 1182AFCAF
A	Top Assembly	1	1	1
B	Case	1	1	1
F	Small Drawer Box	3	4	4
G	Medium Drawer Box	4	4	4
H	Large Drawer Box	2	2	4
I	Small Drawer Face	3	4	4
J	Medium Drawer Face	4	4	4
K	Large Drawer Face	2	2	4
L	Knob (attached)	9	10	12
Q	#8 x 1-1/2" Machine Screw (inserted).	9	10	12
T	#8 x 7/8" Lo-Profile Screw (inserted).	48	52	64
U	#8 x 1-1/4" Pan Head Screw (inserted).	26	32	32
W	#8 x 1-1/4" Black Screw (inserted)	16	18	18
Y	Small Adjustable Glide (installed)	5	5	5
Z	16" Drawer Slides (pre-installed sets).	9	10	12
ZB	#6 x 1/2" Philtruss Screw (inserted)	54	60	72
ZC	#6 x 3/4" Philtruss Screw (inserted)	54	60	72
ZQ	Foot Assembly (attached)	1	1	1
ZS	#8 x 1-3/16" Pan Head Screw (inserted).	6	6	6
ZT	#8 x 2" Black Screw (inserted)	2	2	2
ZU	M4 x 10mm Insert Nut (inserted)	8	8	0
ZV	1/4" x 20mm Insert Nut (inserted).	5	5	5
ZW	#8 x 1-1/8" Lo-Profile Screw (inserted).	4	4	4
TR	Furniture Tipping Restraint	2	2	2



To level the unit:

1. Position the unit at its final location. Adjustable glides (Y) are attached to the bottoms of the Foot Assembly (ZQ) and legs. Rotate the glides until the unit stands level.

Tipping restraint:

2. Locate two studs in the wall behind the unit. Attach a Clip (T1) to one wall stud with two #8 x 2" Black Screws (T3). See Figure 1. Attach a second clip to the unit with two #8 x 1" Pan Head Screws (T4). See Figure 2. Connect the two clips with the Nylon Restraint Strap (T2). **Pull the Nylon Restraint Strap (T2) tight so there is no slack.** See Figures 3 and 4. Repeat this procedure to attach the second tipping restraint. If you cannot locate two studs, purchase the proper wall attachment hardware for your type of wall and secure the unit.

Unless specifically designed to accommodate, do not set TVs or other heavy objects on top of this product.