

Stonewood Manor Upholstered Beds

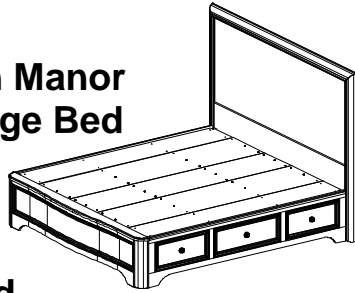
RGB = Rustic Glazed Brown finish

Assembly Instructions

Model #

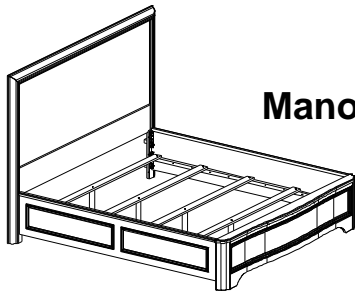
5600RGB

Stonewood Queen Manor Upholstered Storage Bed



5609RGB

Stonewood King Manor Upholstered Storage Bed



5627RGBc

Stonewood Queen Manor Upholstered Bed

5635RGBc

Stonewood King Manor Upholstered Bed

IMPORTANT NOTES:

- For normal household use only. *Not* recommended for commercial use.
- Remove items before you move this unit.
- Do not overload the drawers.
- This assembly requires two people.

! WARNING

Drilling, sawing, sanding or machining wood products can expose you to wood dust, a substance known to the state of California to cause cancer. Avoid inhaling wood dust or use a dust mask or other safeguards for personal protection.

For more information go to: www.p65warnings.ca.gov/wood

This product can expose you to chemicals, including formaldehyde, which are known to the State of California to cause cancer.

For more information go to: www.p65warnings.ca.gov/furniture

DESIGN SUBJECT TO CHANGE WITHOUT NOTICE.

Thank you for allowing us to help you furnish your home. We are certain you will be delighted with your new furniture for many years to come.

CUSTOMER SERVICE

If you ever have questions about your furniture, please do not hesitate to contact us. In the unlikely event you need a replacement part; we can make those parts available through an authorized Whittier Wood Furniture dealer. If you cannot order replacement parts through your dealer, please contact our customer service department.

Hours: Our friendly customer service staff can be reached:

Monday-Friday 8:00 a.m. to 5:00 p.m. (Pacific Time).

You may leave a message 24 hours a day, seven days a week.

Customer Service: 800-653-3336 • Outside the U.S.: 541-687-0213

Fax: 541-687-2060 • Email: info@whittierwood.com

**Whittier
Wood**
FURNITURE

P.O. Box 2827
Eugene, OR 97402 USA

Production Code:

VN

08/18

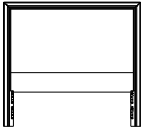
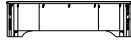
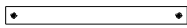





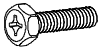
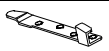
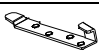
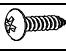


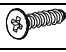
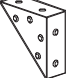
5600RGB Stonewood Queen Manor Upholstered Storage Bed
5609RGB Stonewood King Manor Upholstered Storage Bed
5627RGBc Stonewood Queen Manor Upholstered Bed
5635RGBc Stonewood King Manor Upholstered Bed

Parts List

Please note this Assembly Instruction is for Stonewood Manor Upholstered Storage Beds (#5600 Queen and #5609 King), and Stonewood Manor Upholstered Rail Beds (#5627 Queen and #5635 King.) The Parts Lists for each component follow.

Please identify the parts and check that the quantities received match those on this list. If you need to replace a part, refer to the model number, part letter and name.

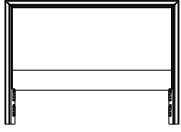
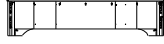

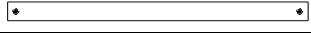






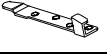
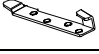
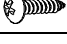
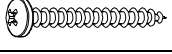


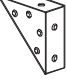
5608RGB
Queen Headboard/Footboard Kit (x1)

Part	Description		Quantity
A	Headboard Assembly		1
B	Footboard Assembly		1
I	Queen Trestle with T-Nuts (24-3/8")		4
R	#8 x 1-1/4" Black Screw (inserted)		4
S	#8 x 1-5/8" Black Screw (inserted)		5
U	#8 x 1" Black Screw (inserted)		32
Y	1/4" T-Nut (inserted)		8
YA	1/4" x 13.5mm Insert Nut (inserted)		16
YB	1/4" x 1" Hex Bolt		16
ZD	Left Bed Bracket (attached)		4
ZE	Right Bed Bracket (attached)		4
ZH	#6 x 5/8" Philtruss Screw (inserted)		20
ZI	#8 x 1-1/4" Pan Head Screw (inserted)		10
ZT	18mm Flat Washer		16
ZY	#5 x 5/8" Flat Head Screw (inserted)		16
ZZ	Triangle Bracket (attached)		2

5600RGB Stonewood Queen Manor Upholstered Storage Bed
5609RGB Stonewood King Manor Upholstered Storage Bed
5627RGBc Stonewood Queen Manor Upholstered Bed
5635RGBc Stonewood King Manor Upholstered Bed
Parts List

5617RGB

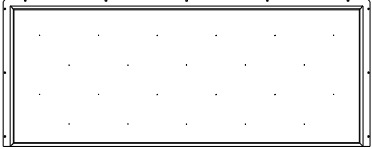
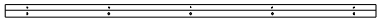

King Headboard/Footboard Kit (x1)

Part	Description		Quantity
A	Headboard Assembly		1
B	Footboard Assembly		1
C	Center Deckboard		1
J	King Trestle with T-Nuts (40-1/2")		4
R	#8 x 1-1/4" Black Screw		16 (4 inserted)
S	#8 x 1-5/8" Black Screw (inserted)		5
U	#8 x 1" Black Screw (inserted)		32
Y	1/4" T-Nut (inserted)		8
YA	1/4" x 13.5mm Insert Nut (inserted)		16
YB	1/4" x 1" Hex Bolt		16
ZD	Left Bed Bracket (attached)		4
ZE	Right Bed Bracket (attached)		4
ZH	#6 x 5/8" Philtruss Screw (inserted)		24
ZI	#8 x 1-1/4" Pan Head Screw (inserted)		10
ZT	18mm Flat Washer		16
ZY	#5 x 5/8" Flat Head Screw (inserted)		16
ZZ	Triangle Bracket (attached)		2

5600RGB Stonewood Queen Manor Upholstered Storage Bed
5609RGB Stonewood King Manor Upholstered Storage Bed
5627RGBc Stonewood Queen Manor Upholstered Bed
5635RGBc Stonewood King Manor Upholstered Bed

Parts List

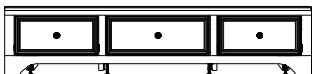

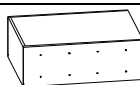
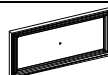
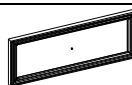

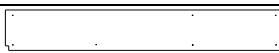
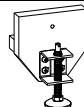
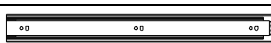
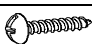
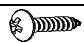
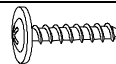

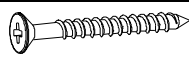
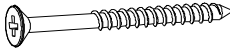


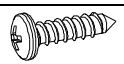



5666UWT Stonewood Queen Manor Insert – Woven Taupe (x1)
5667UWT Stonewood King Manor Insert – Woven Taupe (x1)

Part	Description	Quantity
YC	Upholstered Headboard Insert 	1
YD	Back Support Assembly (attached) 	1
YE	#8 x 1-1/8" Lo-Profile Screw (inserted) 	5

5667 shown in the illustrations.






5600RGB Stonewood Queen Manor Upholstered Storage Bed
5609RGB Stonewood King Manor Upholstered Storage Bed
5627RGBc Stonewood Queen Manor Upholstered Bed
5635RGBc Stonewood King Manor Upholstered Bed
Parts List

1718RGBb Pedestal Kit (x2)





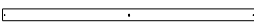



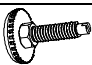


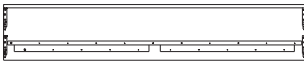
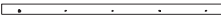
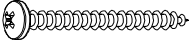
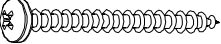
Part	Description		Quantity
Db	Pedestal		1
E	Small Drawer Box (assembled)		2
F	Large Drawer Box (assembled)		1
Gb	Small Drawer Face (attached)		2
Hb	Large Drawer Face (attached)		1
K	Left/Right Center Deckboard		1
L	Notched Deckboard (attached)		1
M	Assembled Foot (attached)		2
N	20" Drawer Slides (pre-installed sets)		3
O	#6 x 3/4" Philtruss Screw (inserted)		18
P	#6 x 1/2" Philtruss Screw (inserted)		18
Q	#8 x 7/8" Black Lo-Profile Screw (inserted)		20
R	#8 x 1-1/4" Black Screw		26 (18 inserted)
S	#8 x 1-5/8" Black Screw (inserted)		24
T	#8 x 2" Black Screw (inserted)		12
U	#8 x 1" Black Screw (inserted)		36
V	#8 x 1-1/2" Machine Screw Tuscan (installed)		3
W	#10 x 3/4" Pan Head Screw (inserted)		16
ZA	1/4" x 1-1/2" Hex Bolt		4
ZB	Knob (attached)		3
ZC	Knob Plate (attached)		3

5600RGB Stonewood Queen Manor Upholstered Storage Bed
5609RGB Stonewood King Manor Upholstered Storage Bed
5627RGBc Stonewood Queen Manor Upholstered Bed
5635RGBc Stonewood King Manor Upholstered Bed
Parts List

1718RGBb Pedestal Kit (x2)_Cont.

Part	Description		Quantity
ZD	Left Bed Bracket (attached)		2
ZE	Right Bed Bracket (attached)		2
ZF	Foot Bracket (attached)		4
ZG	Adjustable Glide (installed)		4
ZT	18mm Washer		4

1748RGBc Queen Rail Kit (x1) 1740RGBc King Rail Kit (x1)

Part	Description		Quantity	
			1748RGBc	1740RGBc
R	#8 x 1-1/4" Black Screw		10	10
Y	1/4" T-Nut (inserted)		5	5
ZD	Left Bed Bracket (attached)		4	4
ZE	Right Bed Bracket (attached)		4	4
ZK	Queen Slat		5	0
ZL	King Slat		0	5
ZM	Assembled Foot		5	5
ZN	#6 x 3/4" Flat Head Screw (inserted)		32	32
ZO	Adjustable Glide with Hex Nut (installed)		5	5
ZP	5/16" x 3/4" Insert Nut (inserted)		5	5
ZQ	1/4" x 45mm Hanger Bolt (inserted)		5	5
ZU	Side Rail		2	2
ZV	Cleat (attached)		4	4
ZW	#8 x 1-3/4" Pan Head Screw (inserted)		22	22
ZX	#10 x 2" Pan Head Screw (inserted)		20	20

**5600RGB Stonewood Queen Manor Upholstered Storage Bed;
5609RGB Stonewood King Manor Upholstered Storage Bed;
5627RGBc Stonewood Queen Manor Upholstered Bed;
5635RGBc Stonewood King Manor Upholstered Bed**

Assembly Instructions

This assembly requires two people.

Tools Required: Phillips screwdriver, Slotted screwdriver, 1/2" & 7/16" open end or box end wrench and Tape measure

Notes:

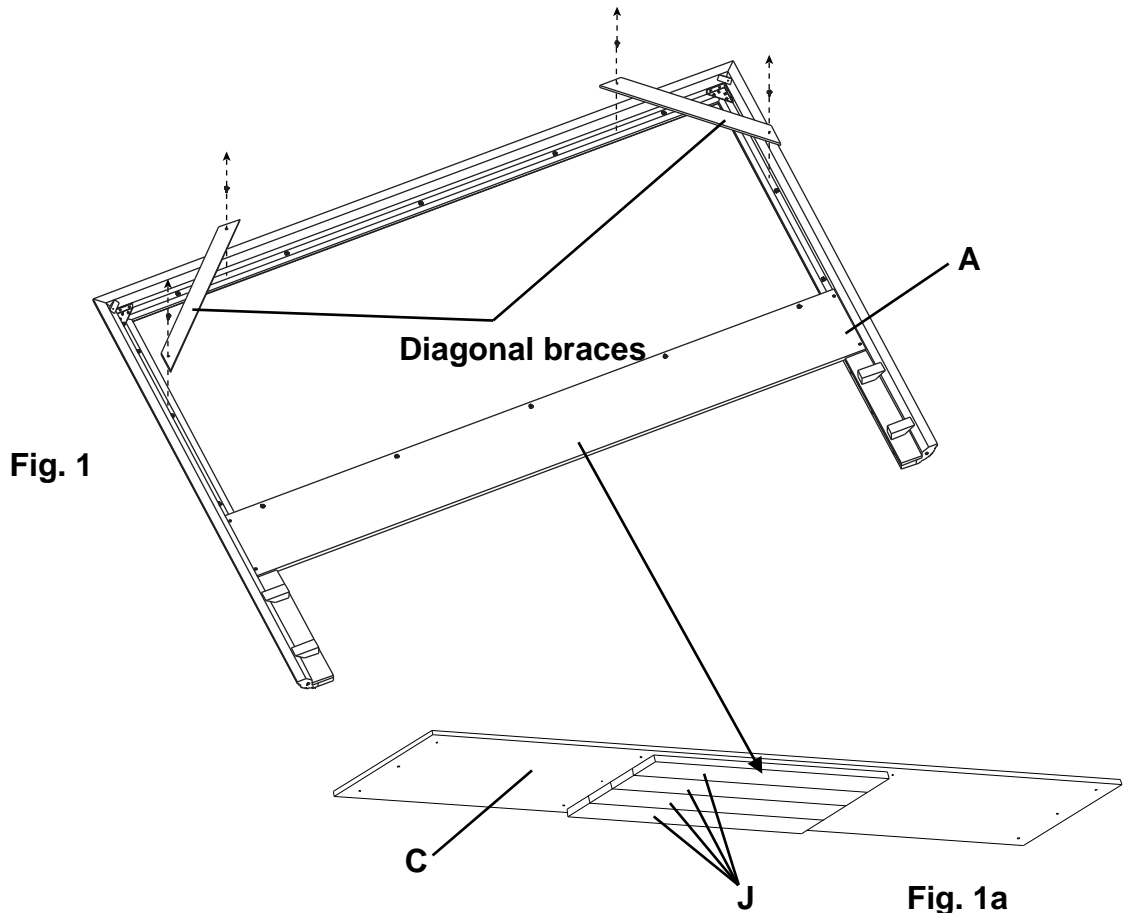
Steps 1 through 11 are for the Stonewood Queen Manor Upholstered Storage Bed (#5600) and the Stonewood King Manor Upholstered Storage Bed (#5609).

Steps 12 through 19 are for the Stonewood Queen Manor Upholstered Bed (#5627) and the Stonewood King Manor Upholstered Bed (#5635).

For the Stonewood King Manor Upholstered Bed (#5635)

Remove the Center Deckboard (C) and King Trestles (J) from the back of the Headboard (A) and place to the side. See Figures 1, 1a.

1. Remove the diagonal braces from the back of the Headboard (A). See Figure 1.



**5600RGB Stonewood Queen Manor Upholstered Storage Bed;
5609RGB Stonewood King Manor Upholstered Storage Bed;
5627RGBc Stonewood Queen Manor Upholstered Bed;
5635RGBc Stonewood King Manor Upholstered Bed**

Assembly Instructions

This assembly requires two people.

2. Place the Headboard Assembly (A) face down on a clean, protected surface. Remove two pieces of foam blocks from the packaging and place them under the legs of the Headboard Assembly (A) so that the Upholstered Headboard Insert (YC) can be set into place within the framework. Use a slotted screwdriver to align the holes of the Upholstered Headboard Insert (YC) with the holes in the Headboard Assembly (A). Insert only halfway all sixteen 1/4" x 1" Hex Bolts (YB) and Washers (ZT). Slight downward pressure on the Upholstered Headboard Insert (YC) will help engage the 1/4" x 1" Hex Bolts (YB) and Washers (ZT). Once the two components are joined, tighten all the Hex Bolts with a wrench. See Figures 2 and 2a.

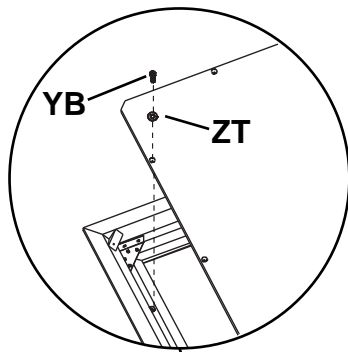


Fig. 2a

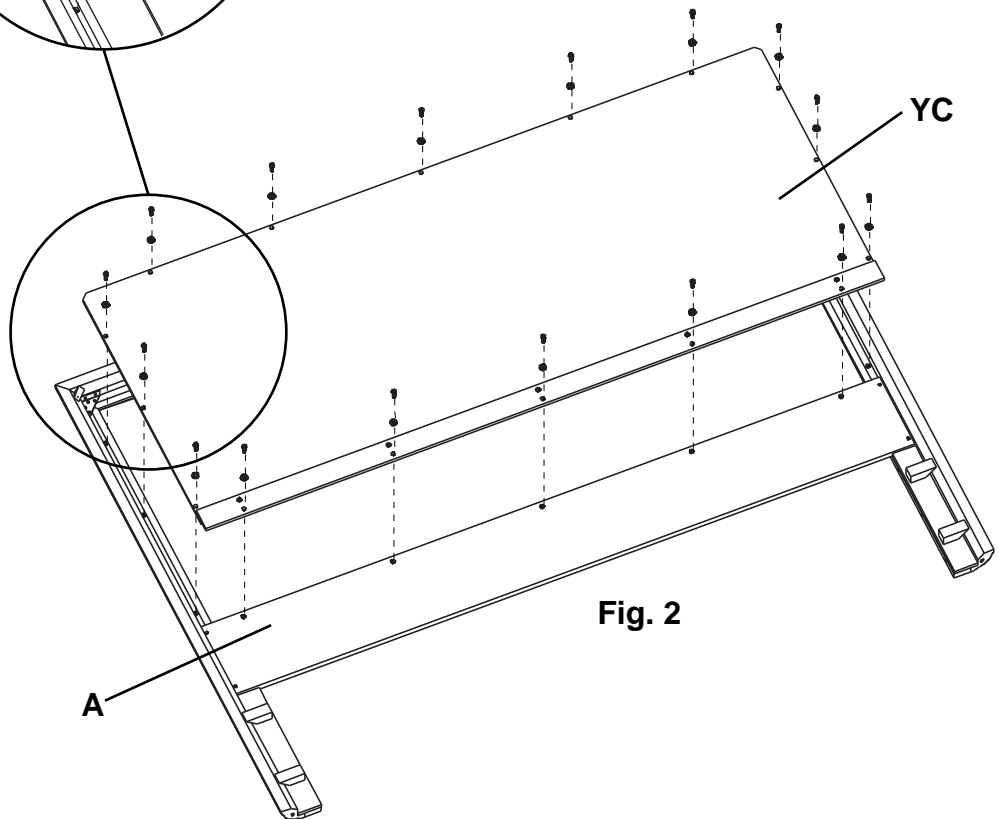
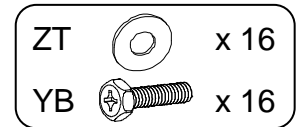


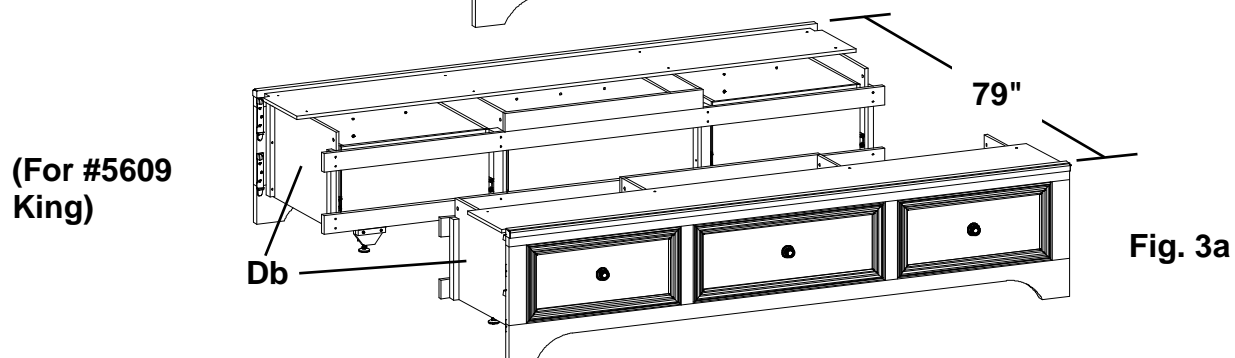
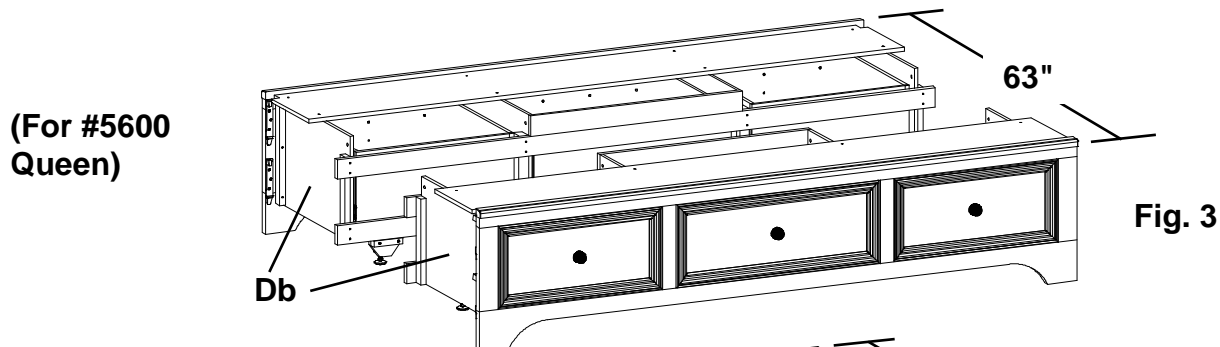
Fig. 2

**5600RGB Stonewood Queen Manor Upholstered Storage Bed;
5609RGB Stonewood King Manor Upholstered Storage Bed;
5627RGBc Stonewood Queen Manor Upholstered Bed;
5635RGBc Stonewood King Manor Upholstered Bed**

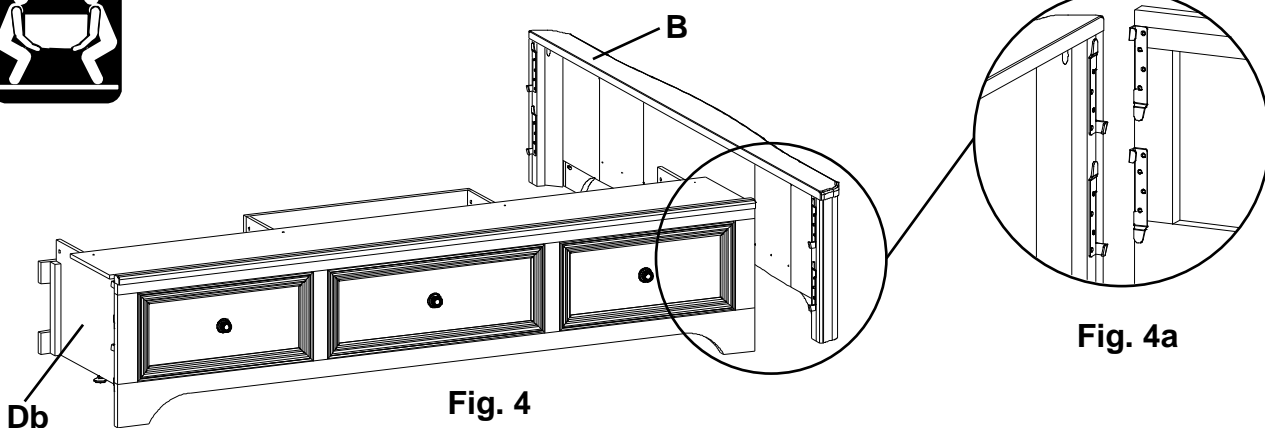
Assembly Instructions

This assembly requires two people.

3. Place both Pedestals (Db) approximately 63" apart for #5600 Queen Bed, or 79" apart for #5609 King Bed as shown in Figures 3 and 3a.



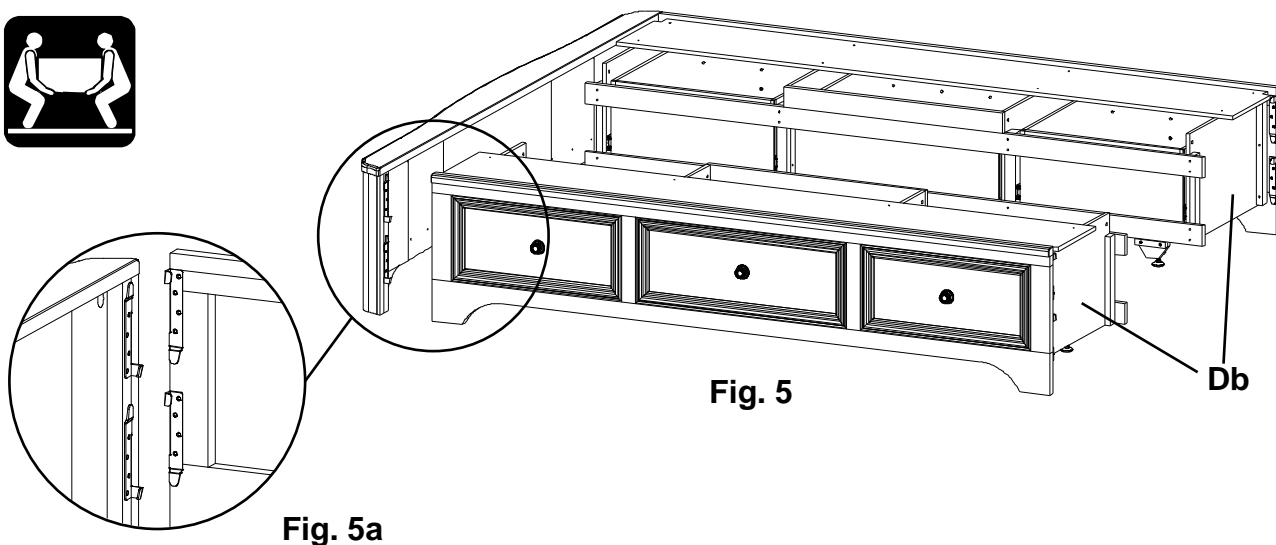
4. To attach the Footboard (B) to the Pedestal (Db), align the Brackets and slide the Pedestal down on to the Footboard (B). See Figures 4 and 4a.



**5600RGB Stonewood Queen Manor Upholstered Storage Bed;
5609RGB Stonewood King Manor Upholstered Storage Bed;
5627RGBc Stonewood Queen Manor Upholstered Bed;
5635RGBc Stonewood King Manor Upholstered Bed**

Assembly Instructions
This assembly requires two people.

5. Repeat step four for the other side. See Figures 5 and 5a.



6. Align the Brackets on both sides and slide the Pedestal/Footboard assembly down on to the Headboard (A). See Figure 6.

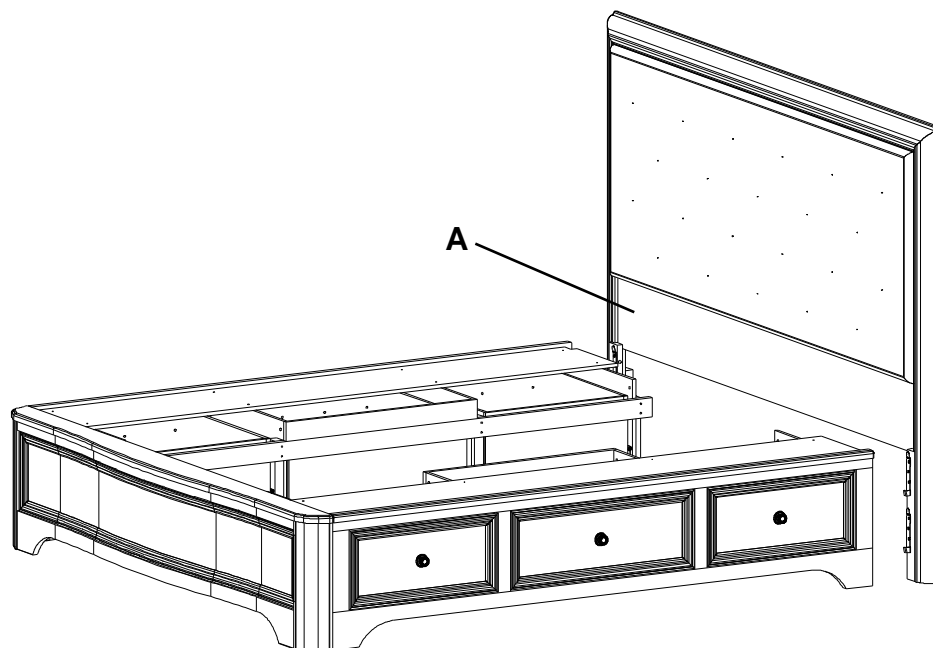


Fig. 6

**5600RGB Stonewood Queen Manor Upholstered Storage Bed;
5609RGB Stonewood King Manor Upholstered Storage Bed;
5627RGBc Stonewood Queen Manor Upholstered Bed;
5635RGBc Stonewood King Manor Upholstered Bed**

Assembly Instructions

This assembly requires two people.

7. Open the drawers. Face the Footboard and stand in between the first and second braces. Place a Queen Trestle with T-Nuts (I) or King Trestles with T-Nuts (J) on the outside surfaces of the first upper left and right braces so that the T-Nuts (Y) sit near the top. See Figure 6a. Line up the upper edges of the trestle and braces so they are nearly flush. Insert two 1/4" x 1-1/2" Hex Bolts (ZA) and Washers (ZT) and tighten. Repeat for the second upper brace. See Figures 7 and 7a.

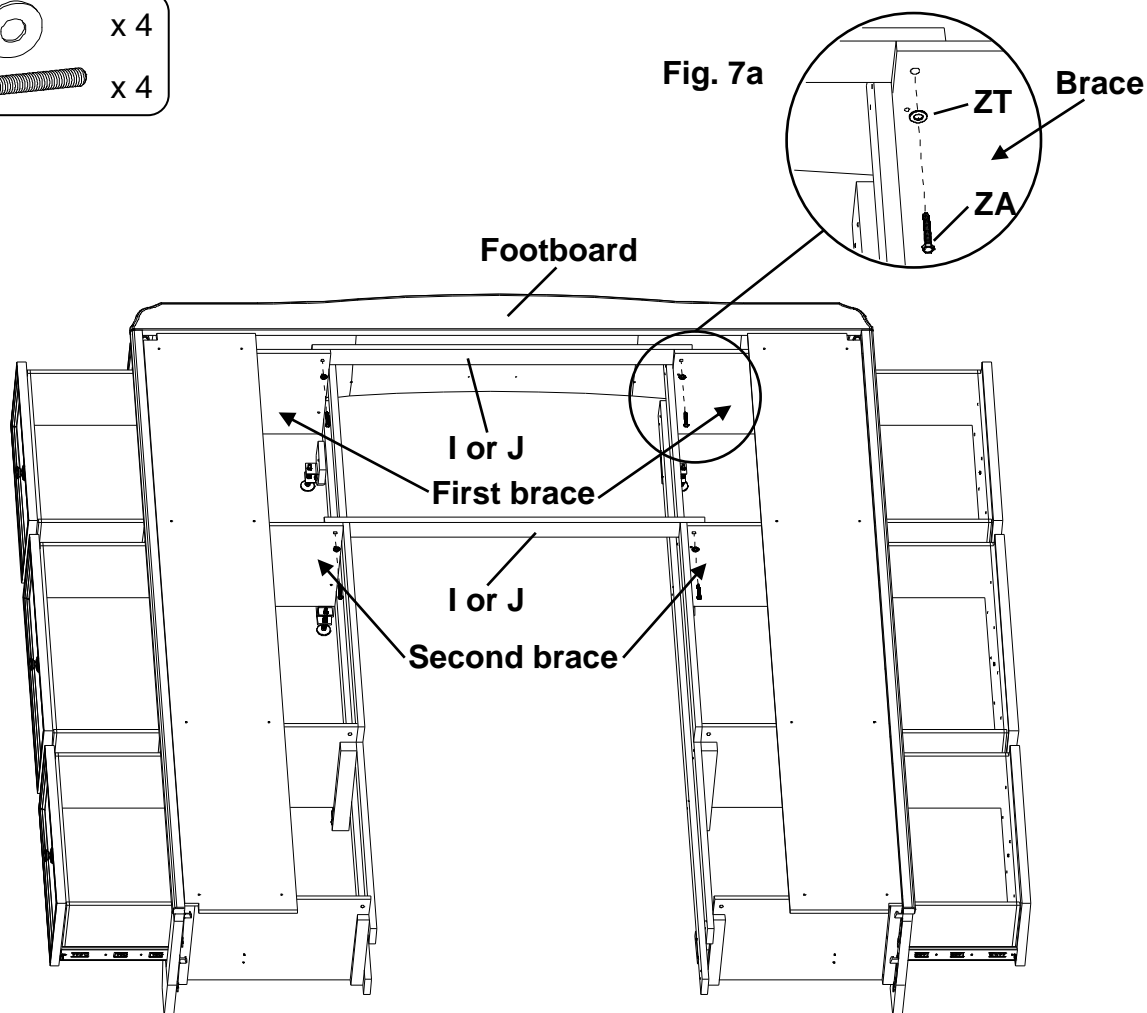
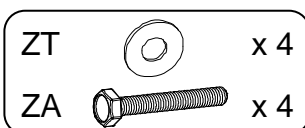


Fig. 7

Headboard removed for illustration purposes.

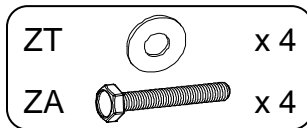
**5600RGB Stonewood Queen Manor Upholstered Storage Bed;
5609RGB Stonewood King Manor Upholstered Storage Bed;
5627RGBc Stonewood Queen Manor Upholstered Bed;
5635RGBc Stonewood King Manor Upholstered Bed**

Assembly Instructions

This assembly requires two people.

8. Face the Headboard and stand in between the third and fourth braces. Place a Queen Trestle with T-Nuts (I) or King Trestles with T-Nuts (J) on the outside surfaces of the third upper left and right braces so that the T-Nuts (Y) sit near the top. See Figures 8 and 8a. Line up the upper edges of the trestle and braces so they are nearly flush. Insert two 1/4" x 1-1/2" Hex Bolts (ZA) and Washers (ZT) and tighten.

Repeat for the fourth braces.



Trestle with T-Nuts (I or J)

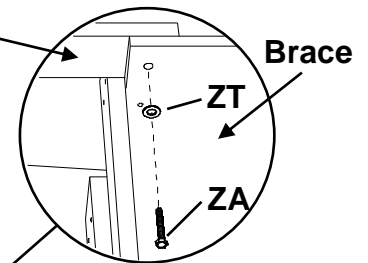


Fig. 8a

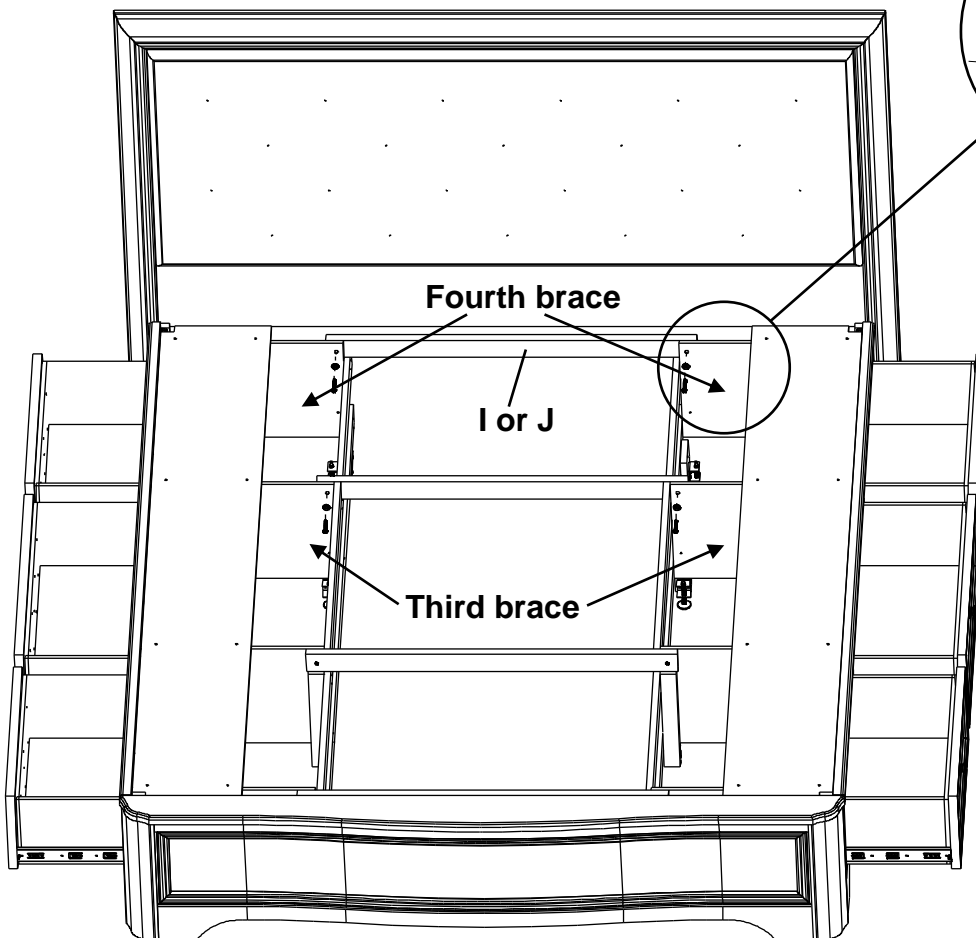


Fig. 8

**5600RGB Stonewood Queen Manor Upholstered Storage Bed;
5609RGB Stonewood King Manor Upholstered Storage Bed;
5627RGBc Stonewood Queen Manor Upholstered Bed;
5635RGBc Stonewood King Manor Upholstered Bed**

Assembly Instructions

This assembly requires two people.

9. Place your bed in its final position. Using a 1/2" wrench or Slotted screwdriver adjust the Adjustable Glides (ZG) on the bottoms of the Assembled Feet (M) so that the top edge of the trestles are 17" from the floor.

IMPORTANT: Make sure the Glides touch the floor and carry weight.

To make sure the bed is square, measure the distance between opposing corners. If one of the measurements is larger, tap on a footboard leg until the measurement is equal. See Figure 9.

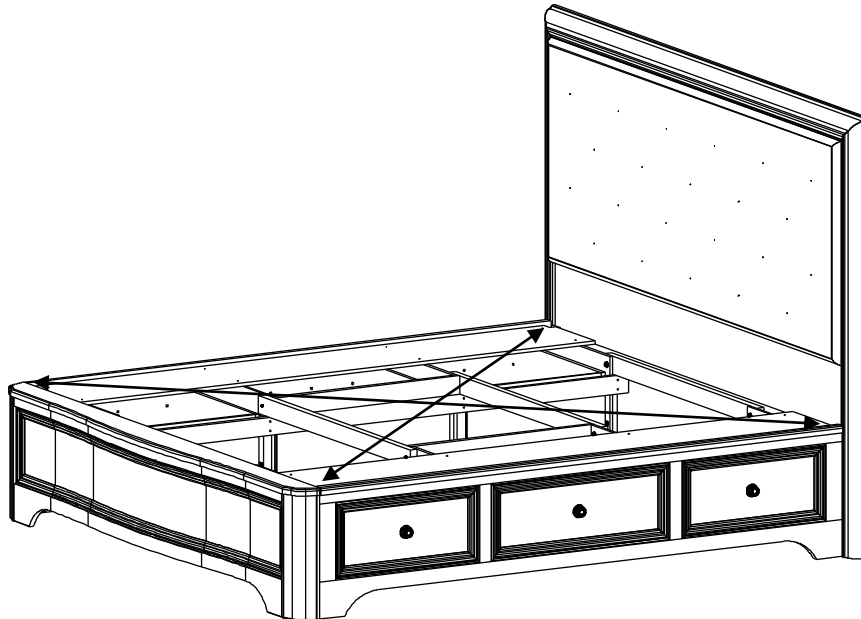


Fig. 9

10. Place the Left/Right Center Deckboards (K) as shown in Figure 10 and secure with sixteen #8x1-1/4" Black Screws (R). There should be a small gap between each deckboard.

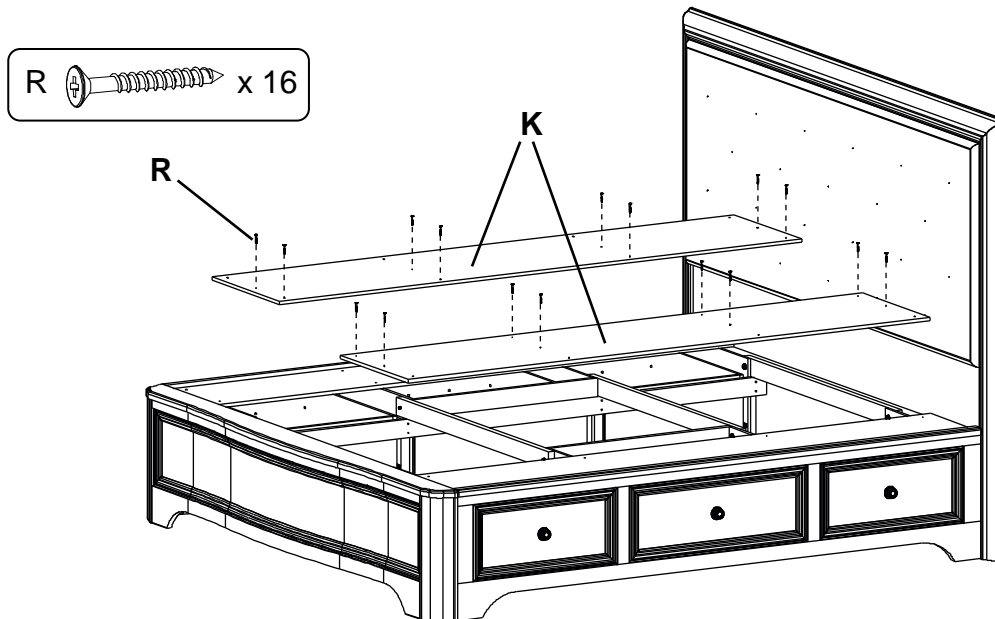


Fig. 10

**5600RGB Stonewood Queen Manor Upholstered Storage Bed;
5609RGB Stonewood King Manor Upholstered Storage Bed;
5627RGBc Stonewood Queen Manor Upholstered Bed;
5635RGBc Stonewood King Manor Upholstered Bed**

Assembly Instructions

This assembly requires two people.

Step 11 is for the Stonewood King Manor Upholstered Storage Bed (#5609)

11. Place the Center Deckboard (C) as shown in Figure 11 and secure with twelve #8 x 1-1/4" Black Screws (R). If you need to adjust the Assembled Feet, remove the Center Deckboard, adjust the glides and reattach the deckboard.

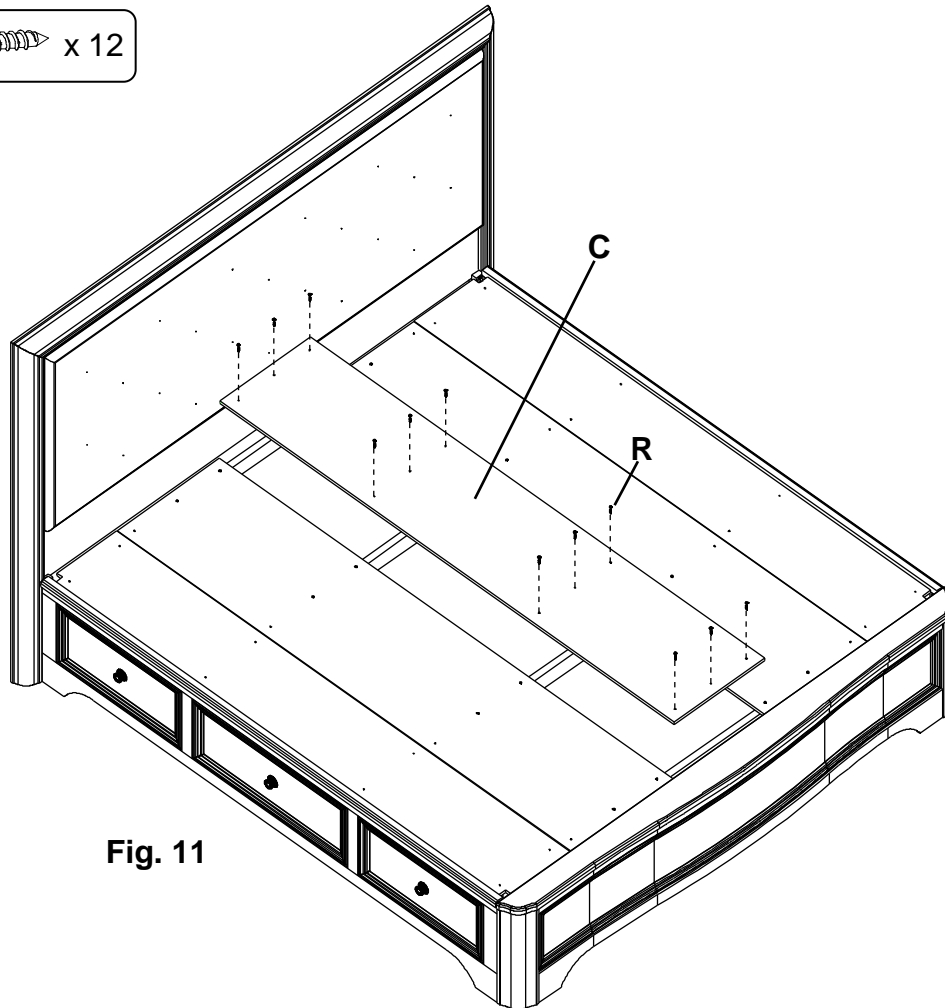
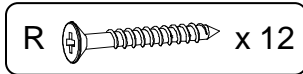


Fig. 11

This concludes the assembly process for the Stonewood Manor Upholstered Storage Bed, if you have purchased a Stonewood Manor Upholstered Rail Bed please refer to the instructions beginning on page 15.

**5600RGB Stonewood Queen Manor Upholstered Storage Bed;
5609RGB Stonewood King Manor Upholstered Storage Bed;
5627RGBc Stonewood Queen Manor Upholstered Bed;
5635RGBc Stonewood King Manor Upholstered Bed**

Assembly Instructions
This assembly requires two people.

12. Remove the diagonal braces from the back of the Headboard (A). See Figure 12.

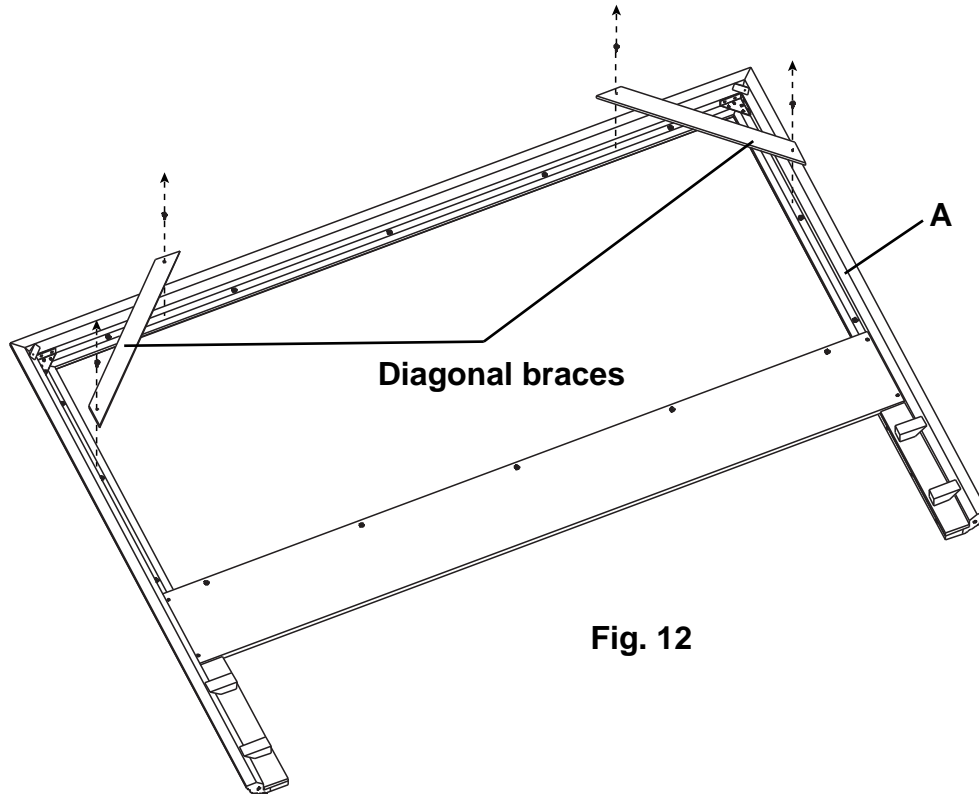


Fig. 12

Continued on Page 16

**5600RGB Stonewood Queen Manor Upholstered Storage Bed;
5609RGB Stonewood King Manor Upholstered Storage Bed;
5627RGBc Stonewood Queen Manor Upholstered Bed;
5635RGBc Stonewood King Manor Upholstered Bed**

Assembly Instructions

This assembly requires two people.

13. Place the Headboard Assembly (A) face down on a clean, protected surface. Remove two pieces of foam blocks from the packaging and place them under the legs of the Headboard Assembly (A) so that the Upholstered Headboard Insert (YC) can be set into place within the framework. Use a slotted screwdriver to align the holes of the Upholstered Headboard Insert (YC) with the holes in the Headboard Assembly (A). Insert only halfway all sixteen 1/4" x 1" Hex Bolts (YB) and Washers (ZT). Slight downward pressure on the Upholstered Headboard Insert (YC) will help engage the 1/4" x 1" Hex Bolts (YB) and Washers (ZT). Once the two components are joined, tighten all the Hex Bolts with a wrench. See Figures 13 and 13a.

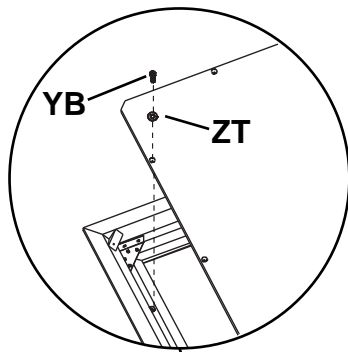


Fig. 13a

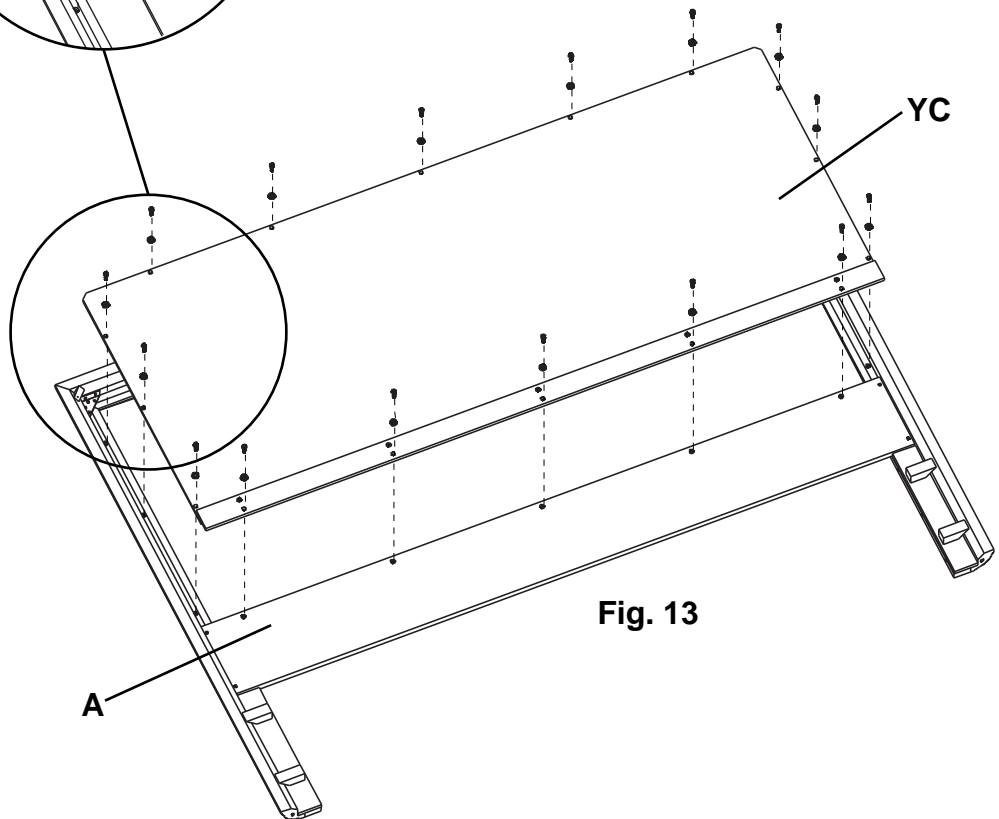
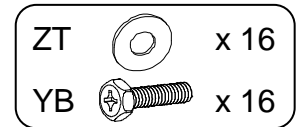


Fig. 13

**5600RGB Stonewood Queen Manor Upholstered Storage Bed;
5609RGB Stonewood King Manor Upholstered Storage Bed;
5627RGBc Stonewood Queen Manor Upholstered Bed;
5635RGBc Stonewood King Manor Upholstered Bed**

Assembly Instructions

This assembly requires two people.

14. To attach the Footboard (B) to the Side Rail (ZU), align the Brackets and slide the Side Rail (ZU) down on to the Footboard (B). See Figures 14 and 14a.

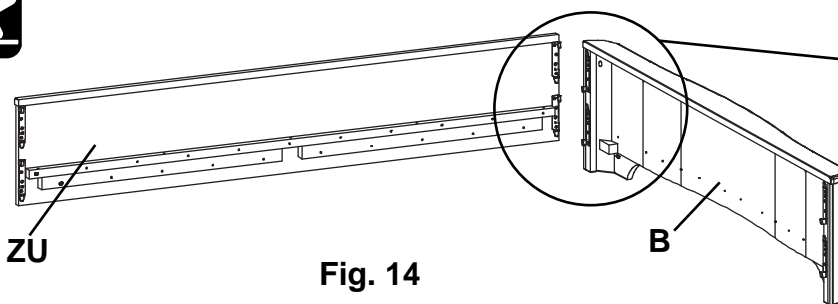


Fig. 14

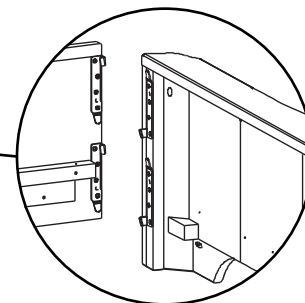


Fig. 14a

15. Repeat step fourteen for the other side. See Figures 15 and 15a.

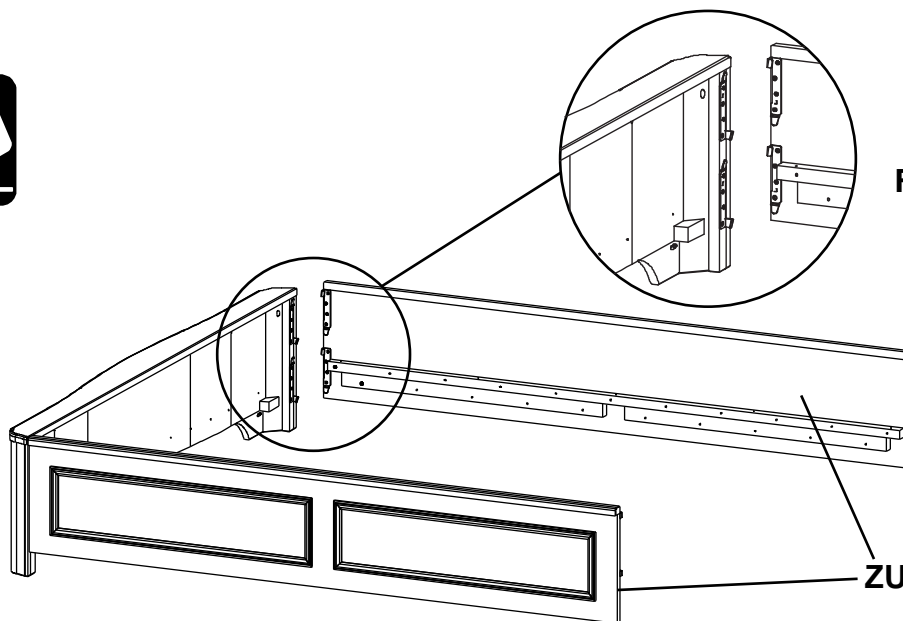


Fig. 15

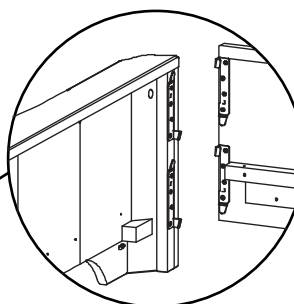


Fig. 15a

**5600RGB Stonewood Queen Manor Upholstered Storage Bed;
5609RGB Stonewood King Manor Upholstered Storage Bed;
5627RGBc Stonewood Queen Manor Upholstered Bed;
5635RGBc Stonewood King Manor Upholstered Bed**

Assembly Instructions

This assembly requires two people.

16. Align the Brackets on both sides and slide the Side Rail/Footboard assembly down on to the Headboard (A). See Figure 16.

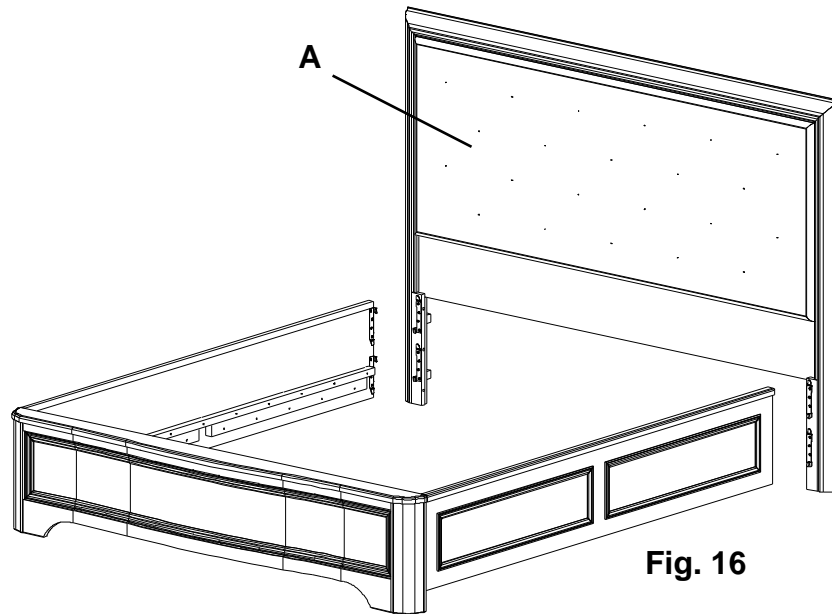


Fig. 16

17. Attach Assembled Feet (ZM) to five Queen Slats (ZK) or King Slats (ZL) as shown in Figure 17.

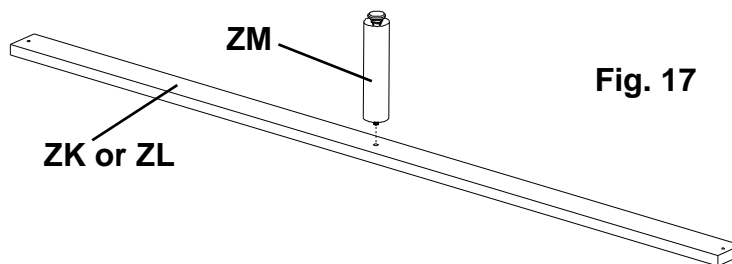


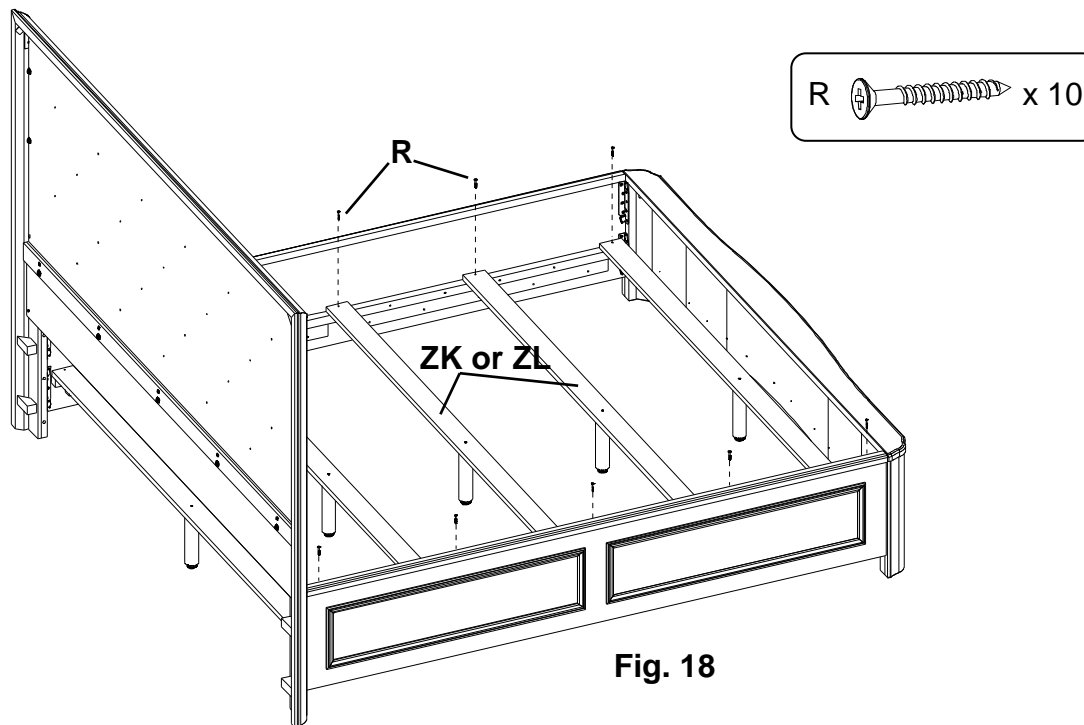
Fig. 17

**5600RGB Stonewood Queen Manor Upholstered Storage Bed;
5609RGB Stonewood King Manor Upholstered Storage Bed;
5627RGBc Stonewood Queen Manor Upholstered Bed;
5635RGBc Stonewood King Manor Upholstered Bed**

Assembly Instructions

This assembly requires two people.

18. Move the bed assembly to its final position. Position the Queen Slats (ZK) or the King Slats (ZL) on the bottom edges of the rails. Attach with #8 x 1-1/4" Black Screws (R). See Figure 18.



19. Adjust the Adjustable Glides with Hex Nut (ZO) on the Assembled Feet (ZM) so the Glides just touch the floor, making sure the Assembled Feet bear weight. See Figure 19.

