

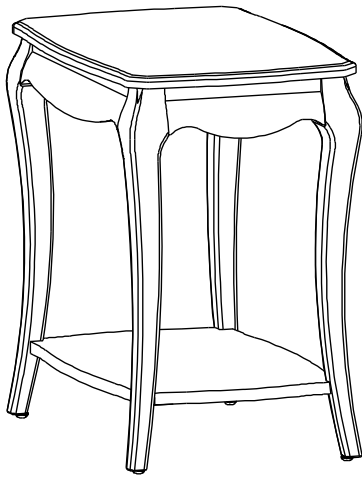
Model #

# 5195AFGMS

## Ambierle Side Table

Glazed Millstone finish

Assembly Instructions



### **Congratulations!**

*This fine piece of furniture will make a gorgeous addition to your home. For the best results, read the Assembly Instructions before you begin your project.*

### **IMPORTANT NOTES:**

- For normal household use only. *Not* recommended for commercial use.
- Do not climb, sit or stand on this piece of furniture.
- Do not overload the shelf.
- Unload items before you move this unit.
- Before you load or move this unit, tighten all screws and supports.
- Before you begin your project, completely read the Assembly Instructions.
- Store this item: 1- in its box; 2- in a dry place; 3- in temperatures that range from 40°F to 90°F (not on a cold and possibly damp cement floor).
- Periodically inspect your furniture for any loose glue joints, screws or any other problem that might affect the stability of your furniture. Tighten or repair as needed.

### **! WARNING**

#### **Notice to California Customers**

California Prop 65 requires consumer goods to be labeled if any one of 850+ different chemicals or substances, including wood dust, is present even in trace amounts. Drilling, sawing, sanding or machining wood products generates wood dust, a substance known to the State of California to cause cancer. **Warning:** This product contains a chemical or substance known to the State of California to cause cancer, birth defects or other reproductive harm. *California Health and Safety Code Section 25249.6*

**DESIGN SUBJECT TO CHANGE WITHOUT NOTICE.**

**CALL US FIRST!** *Do not return this item to the store*

**Service Policy:** We will replace any part that is defective, missing or damaged during assembly. For a replacement part, directly contact Whittier Wood Products customer service department by phone, fax, mail or email.

**Hours:** Our friendly customer service staff can be reached Monday-Friday 7:00 a.m. to 5:00 p.m. (Pacific Time). You may leave a message 24 hours a day, seven days a week.

**To Order:** Provide the finish and furniture model number (upper portion of this page), the part letter, production code, quantity needed, reason for replacement and your full name, address and telephone number.

*Parts ship from our Eugene, Oregon factory within one or two business days from the time we receive your request. Please allow five to ten business days for delivery.*

800-653-3336 • Outside the U.S. or Canada: 541-687-0213 • Fax: 541-687-2060  
www.whittierwood.com • P.O. Box 2827 • Eugene, Oregon 97402, U.S.A.

**Whittier  
Wood**  
FURNITURE

P.O. Box 2827  
Eugene, OR 97402 USA

Production Code:

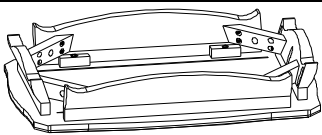

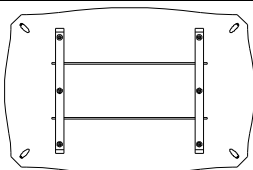
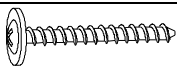
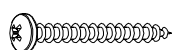






VN

03/14

# 5195AFGMS Ambierle Side Table

## Parts List

Please identify the parts and check that quantities received match those on this list.  
If you need to replace a part, refer to the following letter and part name.

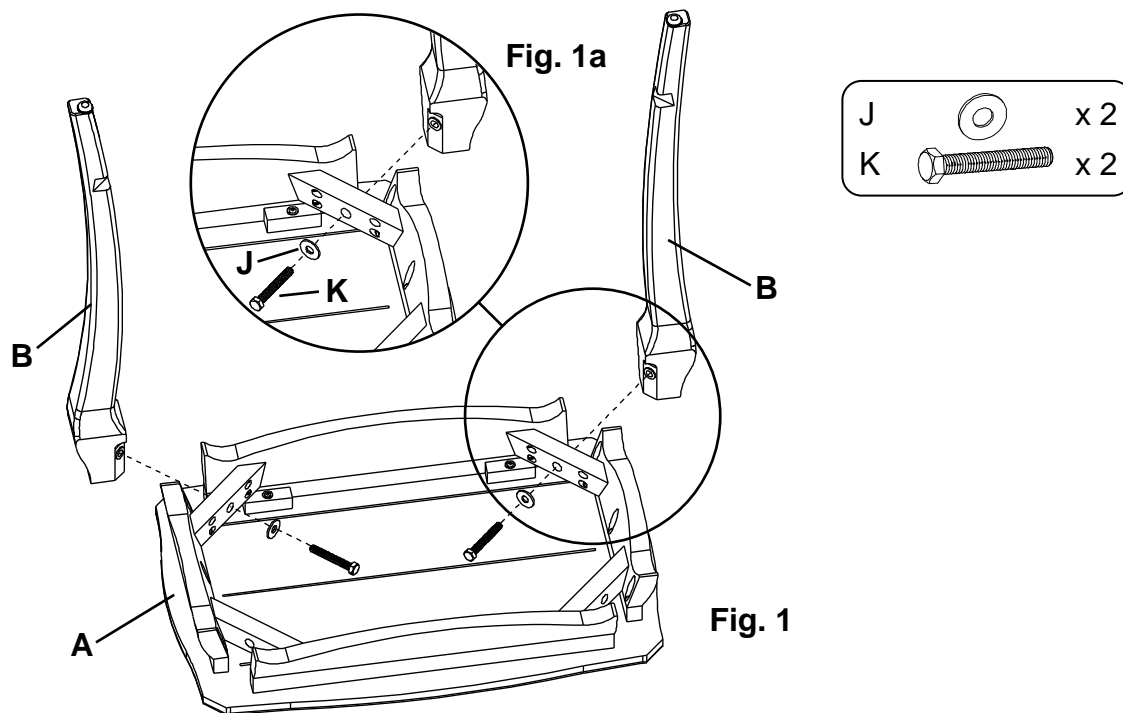
Part	Description		Quantity
A	Top Assembly		1
B	Leg		4
C	Shelf Assembly		1
D	#8 x 1-3/8" Lo-Profile Screw (inserted)		10
E	#8 x 1-1/4" Pan Head Screw		26 (22 inserted)
F	#8 Washer (inserted)		6
G	3/8" x 1" Insert Nut (inserted)		4
H	1/4" x 20mm Insert Nut (inserted)		4
I	Adjustable Glide (installed)		4
J	5/16" Flat Washer		4
K	3/8" x 2-1/2" Hex Bolt		4

# 5195AFGMS Ambierle Side Table

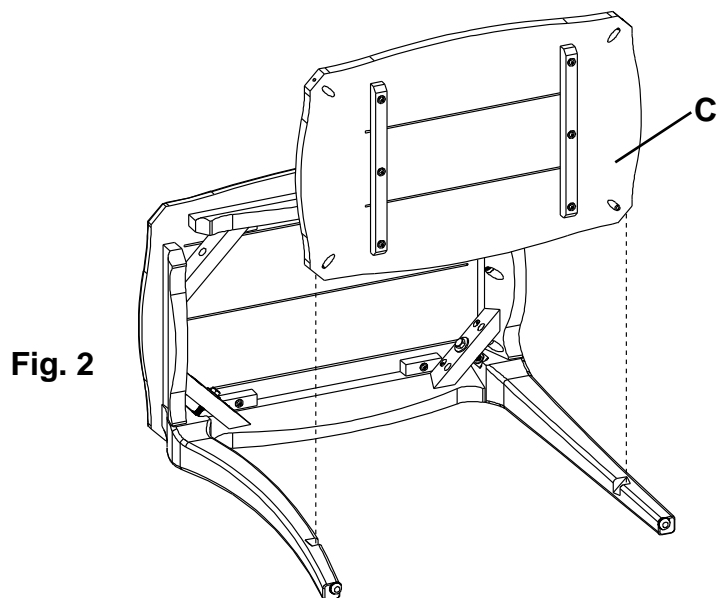
## Assembly Instructions

**Tools Required: Phillips Screwdriver, 9/16" or Adjustable Wrench, Rubber Mallet or Padded Hammer**

1. Turn the Top Assembly (A) upside-down on a clean, protected surface. Place two Legs (B) at the back of the Top Assembly (A), making sure the drilled corners of the legs face toward the corner blocks. Attach with 5/16" Flat Washers (J) and 3/8" x 2-1/2" Hex Bolts (K). See Figures 1 and 1a.



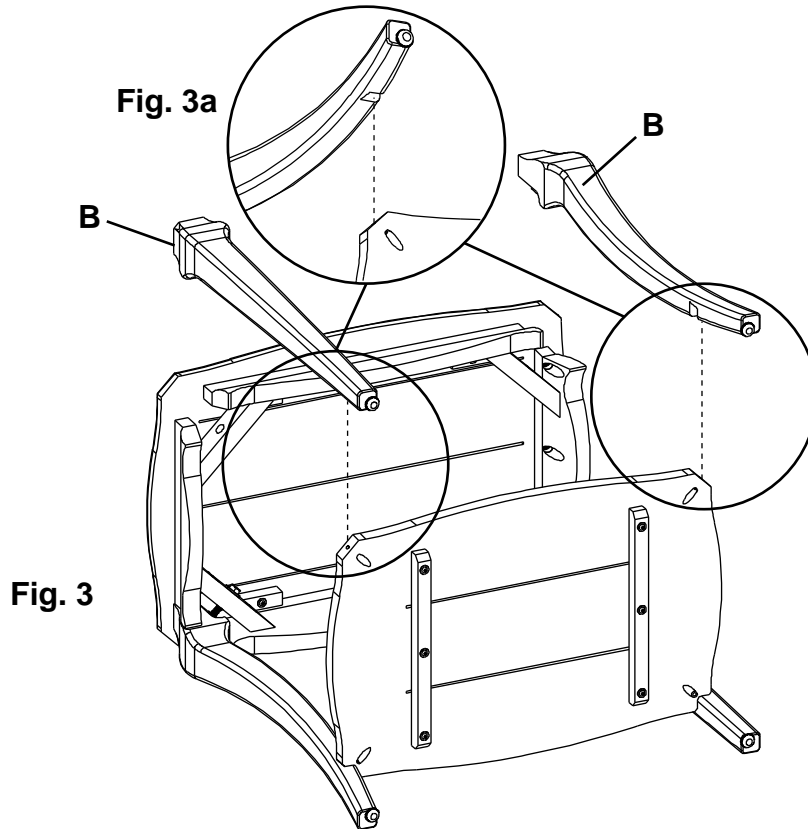
2. Rotate the Top and Leg assembly so that it sets on the back legs. Turn the Shelf Assembly (C) bottom side down and place the back corners into the notches in the legs. See Figure 2.



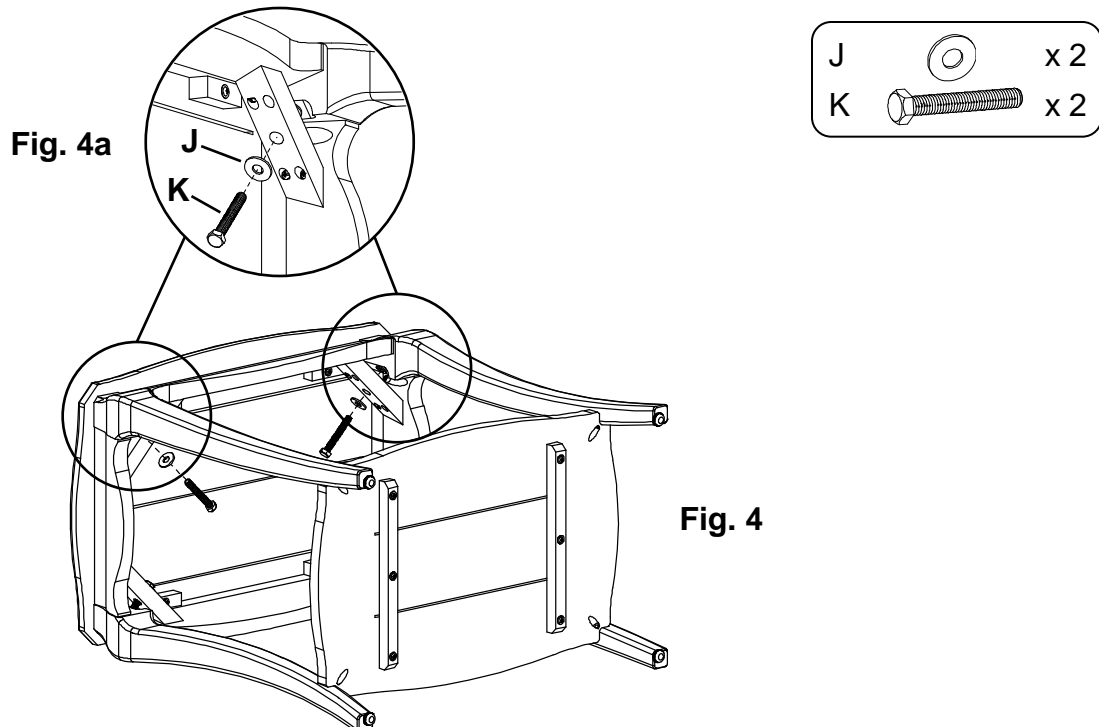
# 5195AFGMS Ambierle Side Table

## Assembly Instructions

3. Place a Leg (B) at each of the remaining corners making sure that the drilled corners of the legs face the corner blocks and the notches fit over the corners of the shelf. See Figures 3 and 3a.



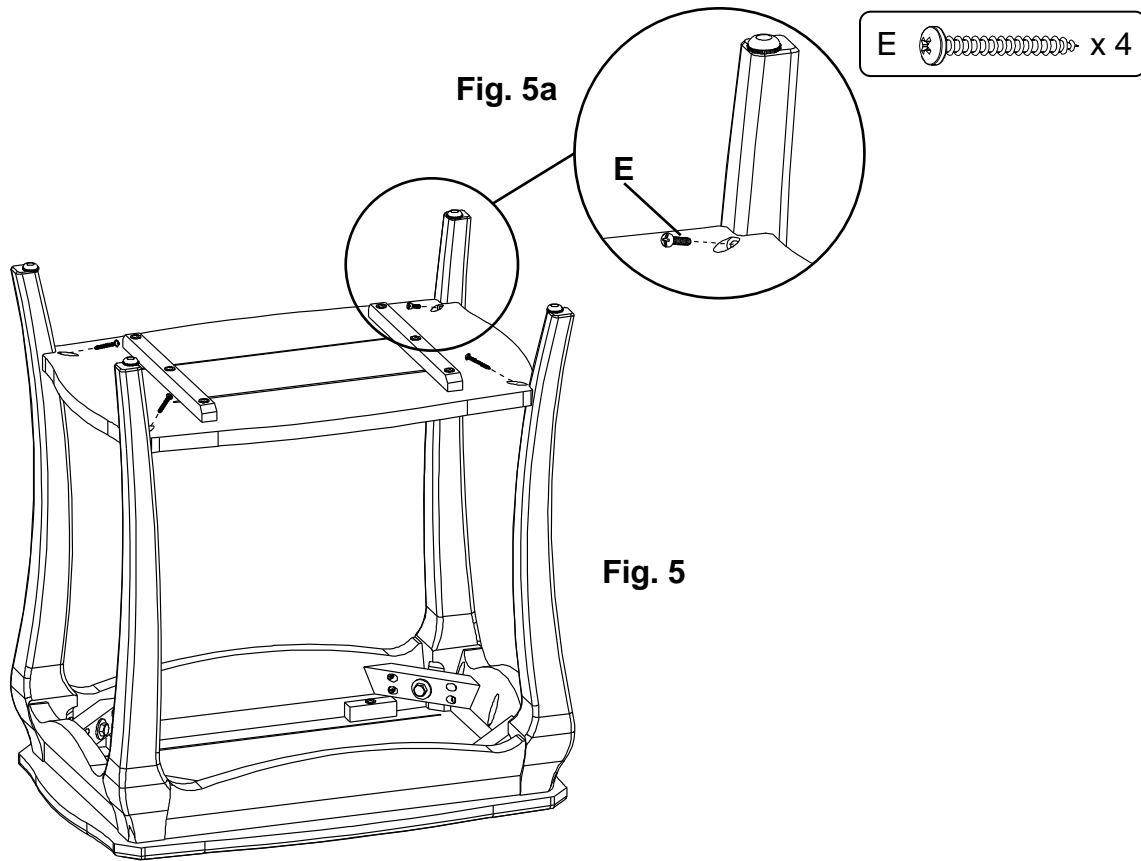
4. Attach the legs to the Top Assembly with 5/16" Flat Washers (J) and 3/8" x 2-1/2" Hex Bolts (K). See Figures 4 and 4a.



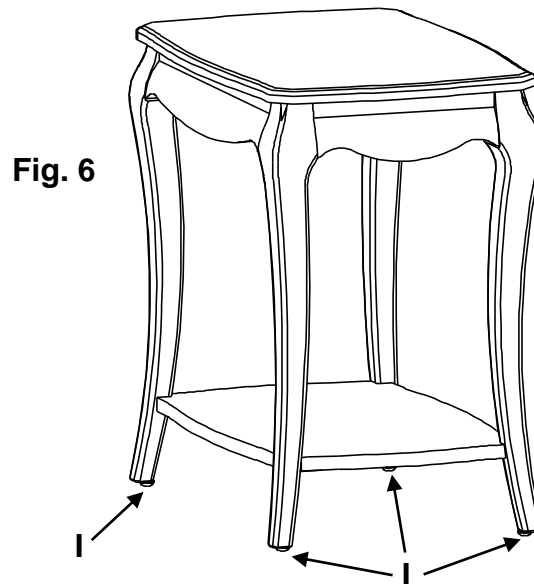
# 5195AFGMS Ambierle Side Table

## Assembly Instructions

5. Turn the unit onto its top and using the pocket holes as guides, secure the Shelf Assembly (C) to the Legs (B) with four #8 x 1-1/4" Pan Head Screws (E). See Figures 5 and 5a.



6. Turn the table upright. See Figure 6.



7. Place the table at its final destination. To level the table, rotate the Adjustable Glides (I) found on the bottoms of the legs. See Figure 6.