

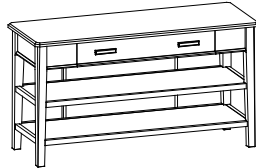
Stayton Media Tables

CAF = Caffè finish

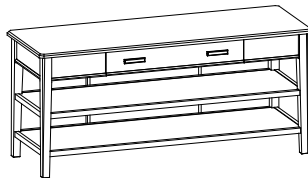
Assembly Instructions

Model #

3460CAFb
Stayton Media
Console



3462CAFb
Stayton Media
Center



Congratulations!

This fine piece of furniture will make a gorgeous addition to your home. For the best results, read the Assembly Instructions before you begin your project.

IMPORTANT NOTES:

- For normal household use only. *Not* recommended for commercial use.
- Do not climb, sit or stand on this piece of furniture.
- Unload items before you move this unit.
- Do not overload the drawer or shelves.
- Before you load or move this unit, tighten all screws and supports.
- Before you begin your project, completely read the Assembly Instructions.
- Store this item: 1- in its box; 2- in a dry place; 3- in temperatures that range from 40°F to 90°F (not on a cold and possibly damp cement floor).
- Periodically inspect your furniture for any loose glue joints, screws or any other problem that might affect the stability of your furniture. Tighten or repair as needed.
- This assembly requires two people.

⚠ WARNING

Serious or fatal crushing injuries can occur from furniture tip-over. Use of tip-over restraints may only reduce but not eliminate the risk of tip-over.
To help prevent tip-over:

- Place heaviest items in the bottom drawers.
- Unless specifically designed to accommodate, do not set TVs or other heavy objects on top of this product.
- Never allow children to climb or hang on drawers, doors or shelves.
- Never open more than one drawer at a time.

Warning: At least one tipping restraint kit was included with your piece of Whittier Wood Furniture. When you receive your furniture, be sure to find and properly install the tipping restraint(s). If you cannot locate the restraint(s), please contact us immediately for replacement.

Notice to California Customers

California Prop 65 requires consumer goods to be labeled if any one of 850+ different chemicals or substances, including wood dust, is present even in trace amounts. Drilling, sawing, sanding or machining wood products generates wood dust, a substance known to the State of California to cause cancer. **Warning:** This product contains a chemical or substance known to the State of California to cause cancer, birth defects or other reproductive harm. *California Health and Safety Code Section 25249.6*

DESIGN SUBJECT TO CHANGE WITHOUT NOTICE.



CALL US FIRST! *Do not return this item to the store*

Service Policy: We will replace any part that is defective, missing or damaged during assembly. For a replacement part, directly contact Whittier Wood Products customer service department by phone, fax, mail or email.

Hours: Our friendly customer service staff can be reached Monday-Friday 7:00 a.m. to 5:00 p.m. (Pacific Time). You may leave a message 24 hours a day, seven days a week.

To Order: Provide the finish and furniture model number (upper portion of this page), the part letter, production code, quantity needed, reason for replacement and your full name, address and telephone number.

Parts ship from our Eugene, Oregon factory within one or two business days from the time we receive your request. Please allow five to ten business days for delivery.

800-653-3336 • Outside the U.S. or Canada: 541-687-0213 • Fax: 541-687-2060
www.whittierwood.com • P.O. Box 2827 • Eugene, Oregon 97402, U.S.A.

**Whittier
Wood**
FURNITURE

P.O. Box 2827
Eugene, OR 97402 USA

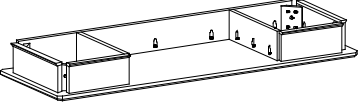
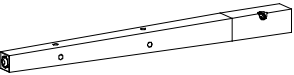
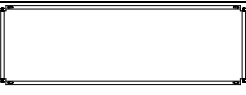

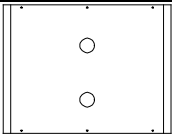
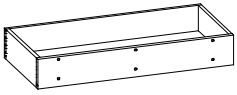


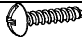
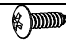
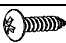




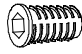
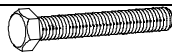
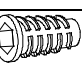


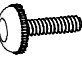
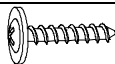
Production Code:

VN

08/15

**3460CAFb Stayton Media Console;
3462CAFb Stayton Media Center**
Parts List

Please identify the parts and check that quantities received match those on this list.
If you need to replace a part, refer to the following letter and part name.

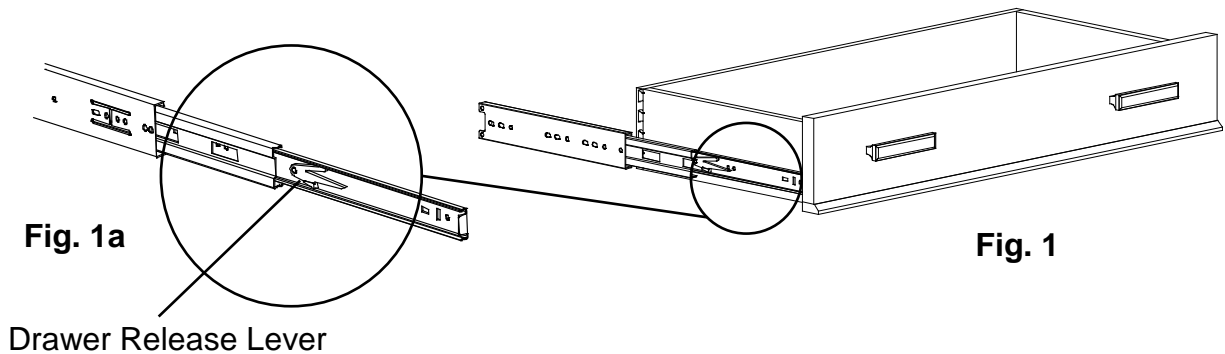
Part	Description	Quantity	
		3460CAFb	3462CAFb
A	Top Assembly (attached) 	1	1
B	Leg 	4	4
Cb	Lower Shelf Assembly 	1	1
D	Upper Shelf Assembly 	1	1
E	Back Assembly 	1	1
F	Drawer Box (inserted) 	1	1
G	Drawer Face (installed) 	1	1
H	Drawer Slides (pre-installed sets) 	1	1
I	#6 x 3/4" Philtruss Screw (inserted) 	4	6
J	#6 x 1/2" Philtruss Screw (inserted) 	4	6
K	#6 x 5/8" Philtruss Screw 	6	6
M	#8 x 1-1/4" Pan Head Screw 	42 (34 inserted)	45 (37 inserted)
Na	#8 x 1-1/2" Machine Screw Tuscan (installed) 	4	4
O	#8 Washer (inserted) 	18	21
P	5/16" Flat Washer 	4	4
Q	3/8" x 1" Insert Nut (inserted) 	4	4
R	3/8" x 2-1/2" Hex Bolt 	4	4
S	1/4" x 20mm Insert Nut (inserted) 	4	4
T	Pull (installed) 	2	2
U	Wood Dowel (inserted) 	8	8
V	Adjustable Glide (installed) 	4	4
W	#8 x 7/8" Black Lo-Profile Screw (inserted) 	6	6
TS	Furniture Tipping Restraint (attached)	1 set	1 set

3462 shown in the illustrations.

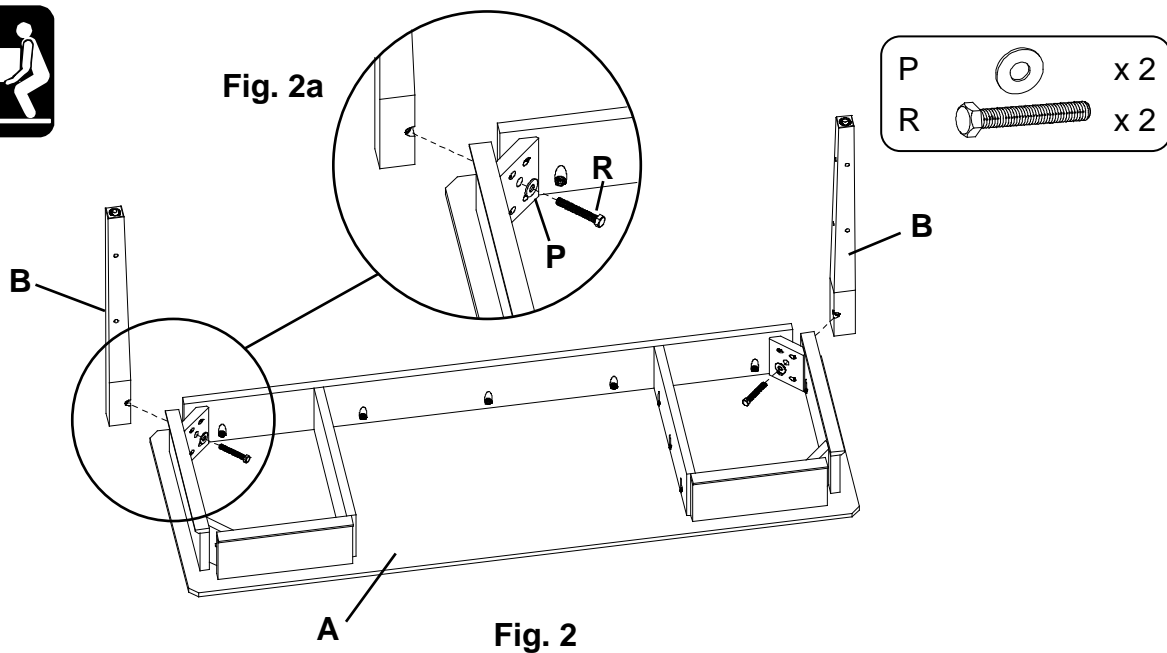
**3460CAFb Stayton Media Console;
3462CAFb Stayton Media Center**
Assembly Instructions

Tools Required: Phillips Screwdriver, 9/16" or Adjustable Wrench, Rubber Mallet or Padded Hammer and pencil.

1. Remove the Drawer (F) from the Top Assembly (A). To remove the drawer, pull up on the left side of the Drawer Release Lever while pushing down on the right Drawer Release Lever. See Figure 1a.



2. Turn the Top Assembly (A) upside-down on a clean, protected surface. Place two Legs (B) at the back of the Top Assembly (A), making sure the drilled corners of the legs face toward the Corner Blocks. Attach with 5/16" Flat Washers (P) and 3/8" x 2-1/2" Hex Bolts (R). See Figures 2 and 2a.



**3460CAFb Stayton Media Console;
3462CAFb Stayton Media Center**
Assembly Instructions

3. Rotate the Top and Leg assembly so that it sets on the back legs. Turn the Lower Shelf Assembly (Cb) and the Upper Shelf Assembly (D) bottom-side-down and place the dowels into the dowel holes in the Legs. Note that the tipping restraint attached to the Lower Shelf Assembly (Cb) must be positioned to the back of the product as shown. See Figure 3.

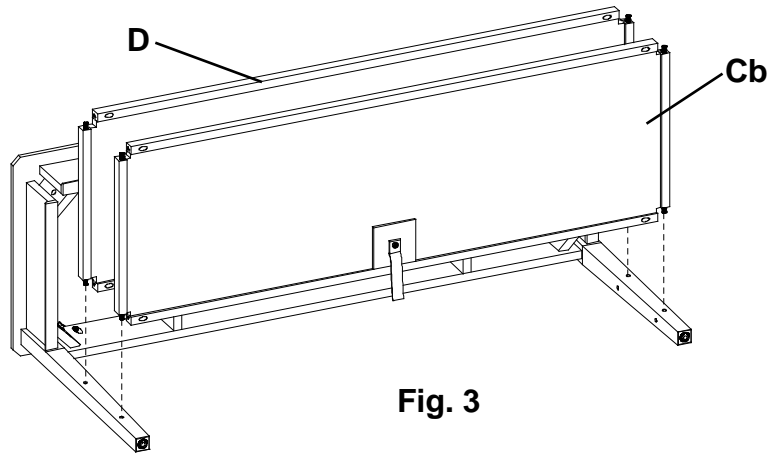


Fig. 3

4. Using the dowels as guides, place the remaining Legs (B) in the remaining two corners making sure the drilled corners of the Legs face toward the Corner Blocks. See Figures 4 and 4a.

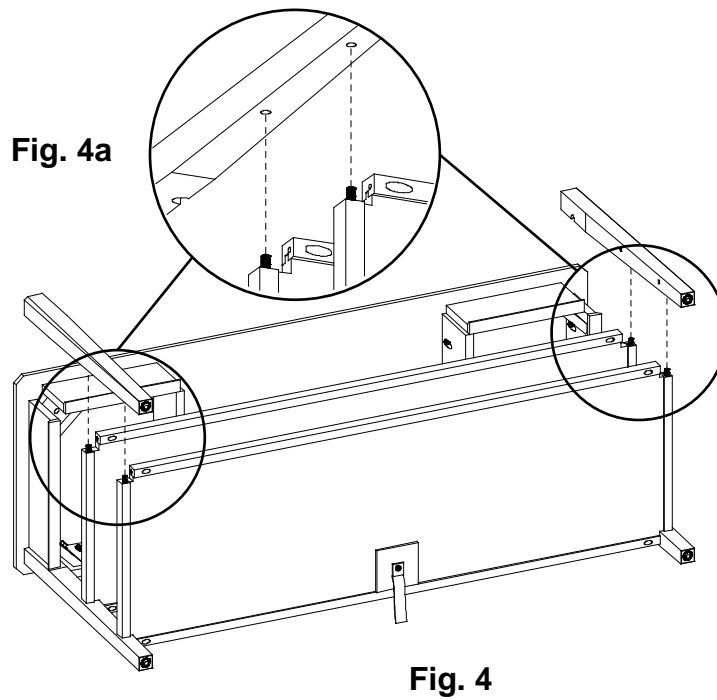
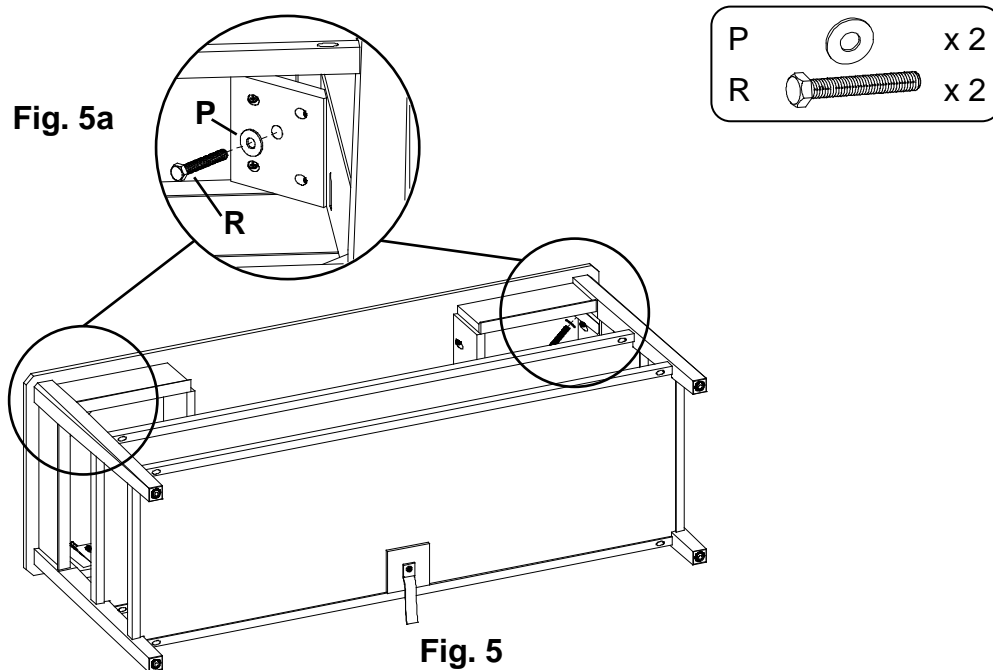


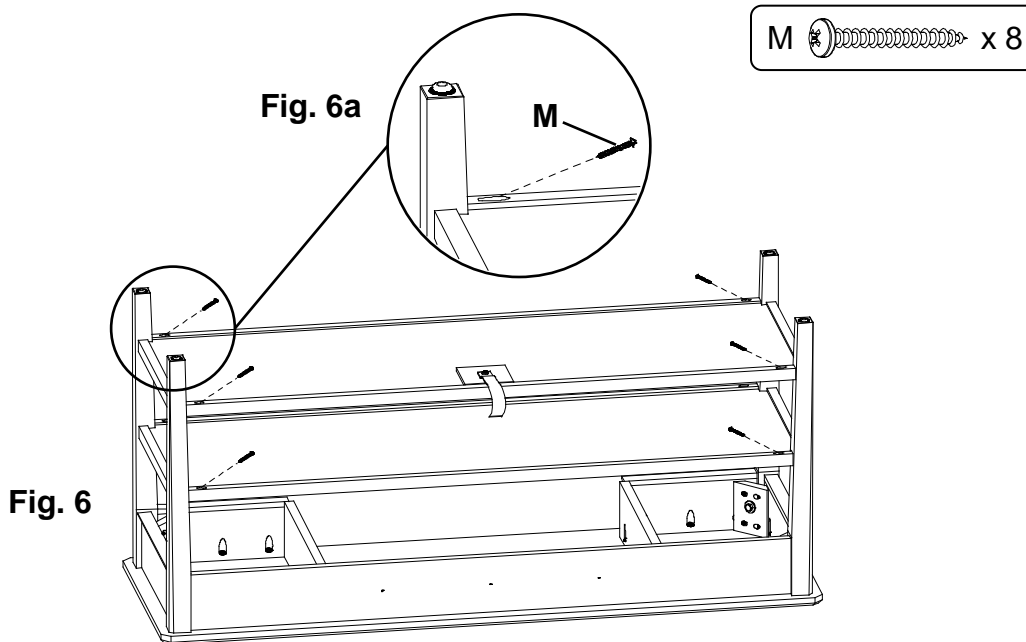
Fig. 4

**3460CAFb Stayton Media Console;
3462CAFb Stayton Media Center**
Assembly Instructions

5. Attach the legs to the Top Assembly with 5/16" Flat Washers (P) and 3/8" x 2-1/2" Hex Bolts (R)
See Figures 5 and 5a.



6. Turn the unit onto its top and using the pocket holes as guides, secure the Lower Shelf Assembly (Cb) and the Upper Shelf Assembly (D) to the Legs (B) with eight #8 x 1-1/4" Pan Head Screws (M). See Figures 6 and 6a.



**3460CAFb Stayton Media Console;
3462CAFb Stayton Media Center**
Assembly Instructions

7. Lay the unit with the drawer opening face down. The back apron of the Top Assembly has pre-punched location holes. Place the Back Assembly (E) with the horizontal cleat of the top edge against the back apron of the Top Assembly. Attach by inserting three #6 x 5/8" Philtruss Screws (K) through the pre-punched location holes in the Back Apron. Insert three additional #6 x 5/8" Philtruss Screws through the holes in the bottom edge of the Back Assembly into the Lower Shelf Assembly.

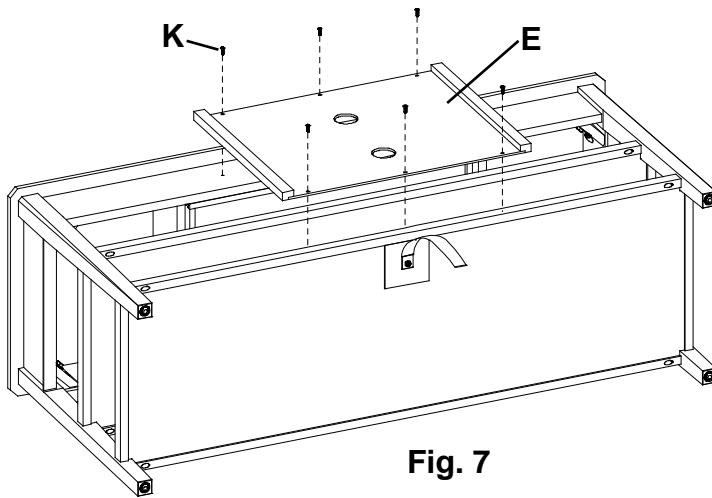


Fig. 7

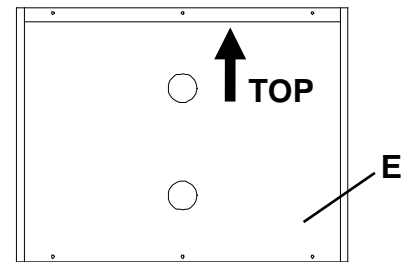
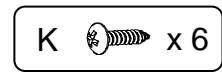


Fig. 7a

**(Front View of
Back Assembly)**

8. Turn the table upright and insert the Drawer. See Figure 8.

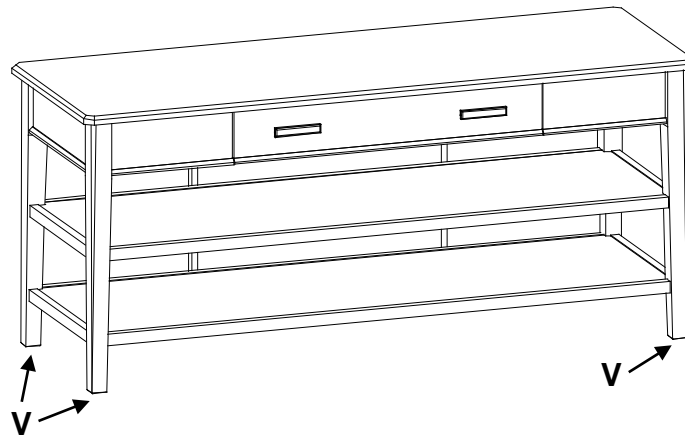


Fig. 8

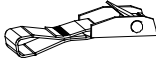
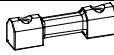




9. Place the unit at its final destination. To level the table, rotate the Adjustable Glides (V) found on the bottoms of the legs. See Figure 8.

Continued on Page 7

**3460CAFb Stayton Media Console;
3462CAFb Stayton Media Center**
Assembly Instructions

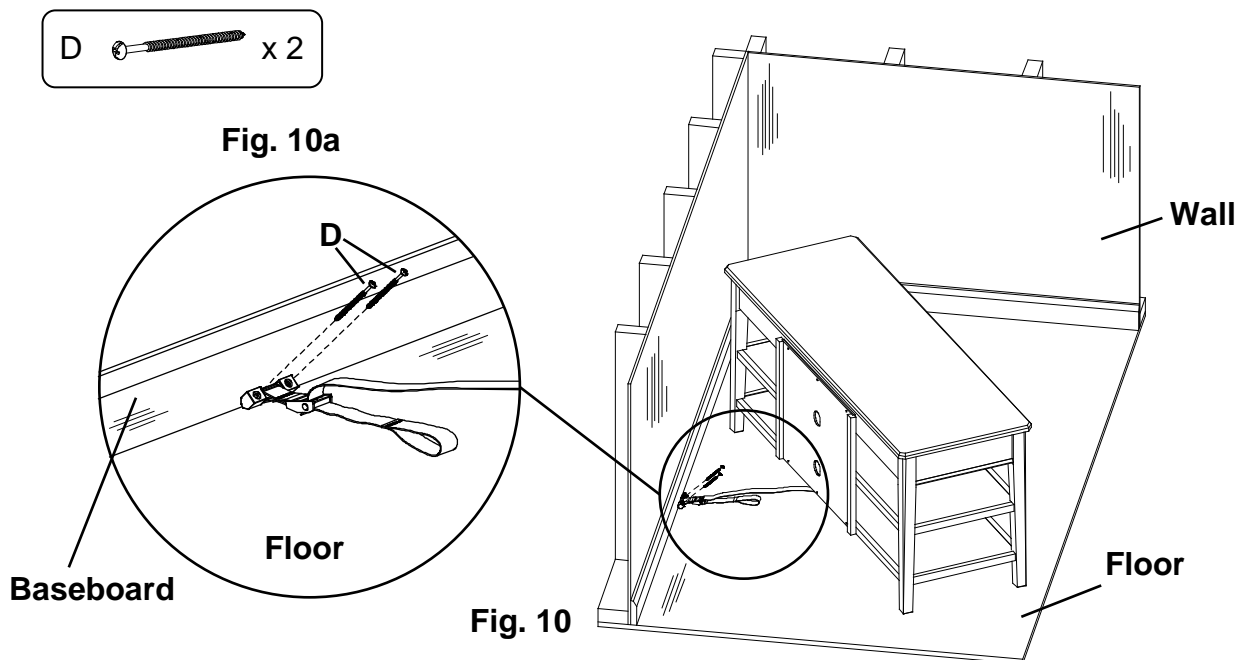
Furniture Tipping Restraint Instructions

Before you begin this assembly, identify each part and make sure the quantities received match what is on this list. If you need to replace a part, contact Whittier Wood Furniture customer service and refer to the following list for its name and letter code.

Part	Description		Quantity
A	Cam Buckle and Short Strap (installed)		1
B	Plastic Bracket (installed)		1
C	1" x 1000mm Long Strap (installed)		1
D	#8 x 3" Pan Head Screw		2
E	#10 x 1" Oval Head Screw (inserted)		1
F	Washer		1

If you have a stone or tile floor or do not wish to drive screws into the corner of the baseboard and floor see the instruction included inside the tipping restraint kit for an alternate installation.

- Decide where you want to place the piece of furniture in your room. Mark the baseboard with a pencil mark directly behind the location where the tipping restraint is attached to your item. Move the item away from the wall far enough to allow you to access the spot where the baseboard meets the floor. Position the straps and Plastic Bracket (B) as shown in Figures 10 and 10a with the angled corners of the Plastic Bracket (B) firmly placed against the seam of the baseboard and floor. Attach by driving #8 x 3" Pan Head Screws (D) through the holes in the Plastic Bracket (B) into the seam below the baseboard where it meets the floor. See Figures 10 and 10a.



**3460CAFb Stayton Media Console;
3462CAFb Stayton Media Center**
Assembly Instructions

11. Move the item back into position against the wall and reach underneath the piece of furniture to grasp the loop in the free end of the strap. Pull the free end of the strap until portion between the Cam Buckle (A) and the back apron of the item is tight. See Figures 11 and 11a. If you need to move the piece of furniture reach beneath and locate the buckle which connects the two sections of the strap and depress the release lever, then pull on the section of strap that is between the buckle and the back apron of the furniture until there is enough slack to allow you to pull the item away from the wall.

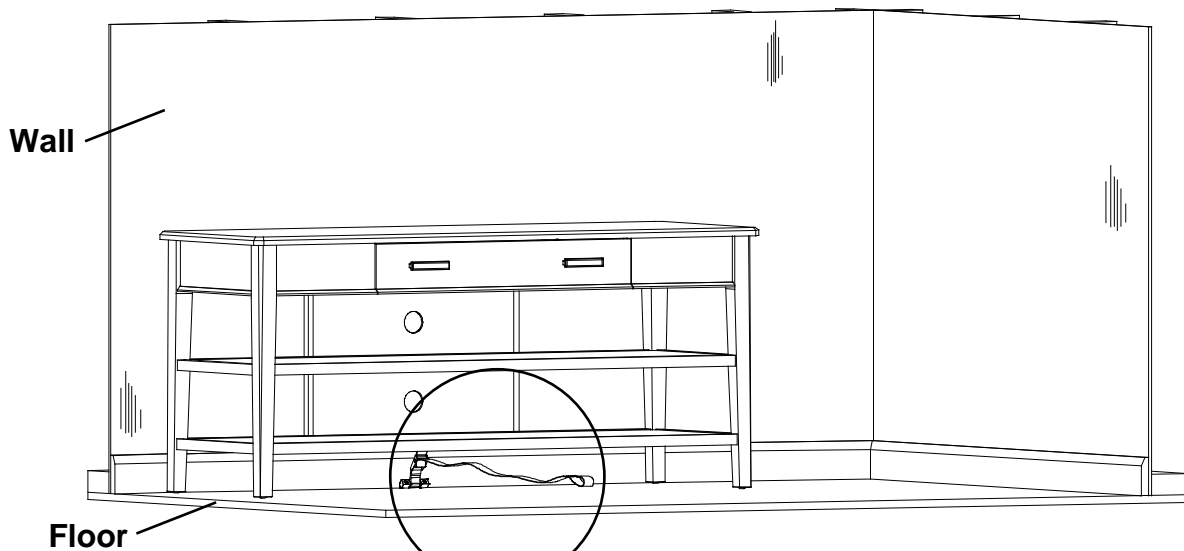


Fig. 11

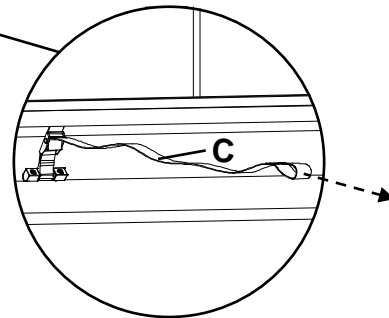


Fig. 11a