

# Bookcase Media Bridge

AFGAC = Glazed Antique Cherry finish

AFCAF = Caffè finish

Assembly Instructions

Model #

## 2060AFGAC;

## 2060AFCAF

### 72" Bookcase Media Bridge



## 2061AFGAC;

## 2061AFCAF

### 84" Bookcase Media Bridge



### IMPORTANT NOTES:

- For normal household use only. *Not* recommended for commercial use.
- Do not sit, stand or climb on this unit.
- Unload items before you move this unit.
- Before you load or move this unit, tighten all screws and supports.
- Before you begin your project, completely read the Assembly Instructions.
- Store this item: 1- in its box; 2- in a dry place; 3- in temperatures that range from 40°F to 90°F (not on a cold and possibly damp cement floor).
- Periodically inspect your furniture for any loose glue joints, screws or any other problem that might affect the stability of your furniture. Tighten or repair as needed.

DESIGN SUBJECT TO CHANGE WITHOUT NOTICE.

### **Congratulations!**

*This fine piece of furniture will make a gorgeous addition to your home. For the best results, read the Assembly Instructions before you begin your project.*



**CALL US FIRST!** *Do not return this item to the store*

**Service Policy:** We will replace any part that is defective, missing or damaged during assembly. For a replacement part, directly contact Whittier Wood Products customer service department by phone, fax, mail or email.

**Hours:** Our friendly customer service staff can be reached Monday-Friday 7:00 a.m. to 5:00 p.m. (Pacific Time). You may leave a message 24 hours a day, seven days a week.

**To Order:** Provide the finish and furniture model number (upper portion of this page), the part letter, production code, quantity needed, reason for replacement and your full name, address and telephone number.

*Parts ship from our Eugene, Oregon factory within one or two business days from the time we receive your request. Please allow five to ten business days for delivery.*

800-653-3336 • Outside the U.S. or Canada: 541-687-0213 • Fax: 541-687-2060  
www.whittierwood.com • P.O. Box 2827 • Eugene, Oregon 97402, U.S.A.

**Whittier**  
**Wood**  
FURNITURE

P.O. Box 2827  
Eugene, OR 97402 USA


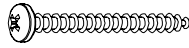

Production Code:

VN

11/12

**2060AFGAC; 2060AFCAF 72" Bookcase Media Bridge;  
2061AFGAC; 2061AFCAF 84" Bookcase Media Bridge**  
*Parts List*

Please identify the parts and check that quantities received match those on this list.  
If you need to replace a part, refer to the following letter and part name.

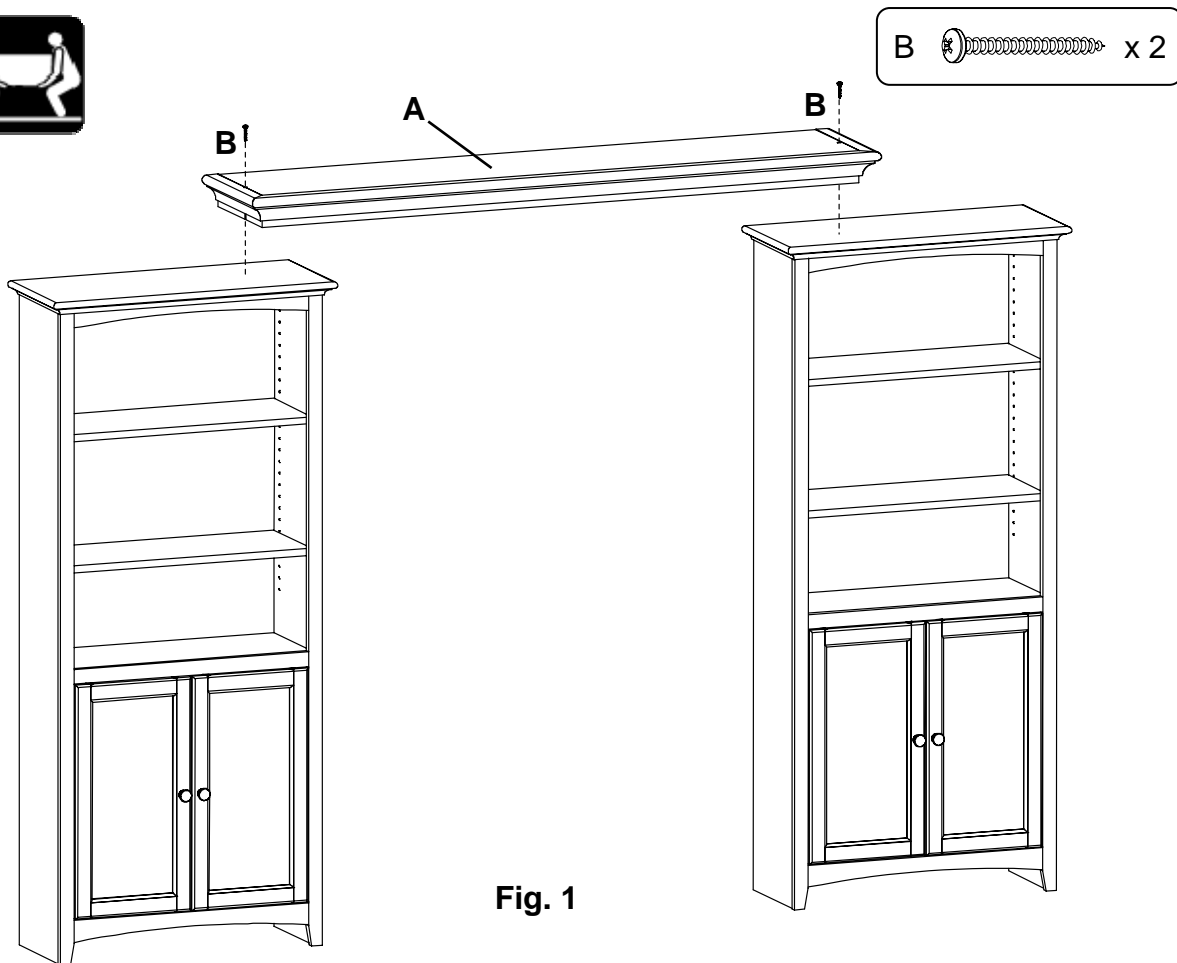
| Part | Description  | Quantity |
|------|--|----------|
| A    | Top Assembly                 | 1        |
| B    | #8 x 1-3/4" Pan Head Screw  | 2        |
| C    | Pad Strip (attached)        | 2        |

*2061 shown in the illustrations.*

**2060AFGAC; 2060AFCAF 72" Bookcase Media Bridge;  
2061AFGAC; 2061AFCAF 84" Bookcase Media Bridge**  
*Assembly Instructions*

**Tools Required: Phillips Screwdriver**

1. Install your bookcases and media unit at their final destination. Position the bridge on the bookcase tops with the back of the bridge flush with the back of the bookcases. Center the bridge over the opening of the media unit being careful to have equal spacing on the bookcase tops. Using the countersunk pilot holes in the bridge as guides, insert two #8 x 1-3/4" Pan head screws (B) and attach the bridge to the bookcases. See Figure 1.



**Fig. 1**