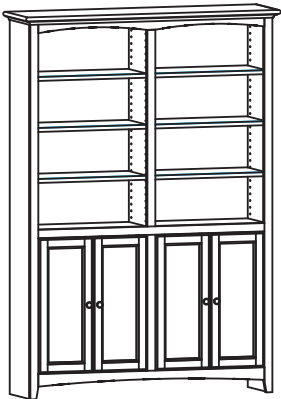


# 48" Wide McKenzie Alder Bookcases with doors: 72" + 84"h

**AEGAC = Glazed Antique Cherry finish; AEGSP = Glazed Spice finish;  
AECAF = Caffè finish**

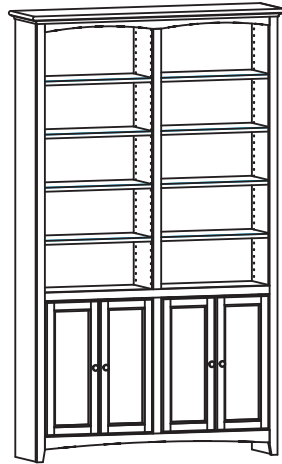
*Assembly Instructions*

72" x 48"



1555AEGAC  
1555AEGSP  
1555AECAF

84" x 48"



1557AEGAC  
1557AEGSP  
1557AECAF

## **Congratulations!**

*This fine piece of furniture will make a gorgeous addition to your home. For the best results, read the Assembly Instructions before you begin your project.*



## **IMPORTANT NOTES:**

- For normal household use only. **Not** recommended for commercial use.
- Do not climb, sit or stand on this piece of furniture.
- Before you begin your project, completely read the Assembly Instructions.
- Store this item: 1- in its box; 2- in a dry place; 3- in temperatures that range from 40°F to 90°F (not on a cold and possibly damp cement floor).
- Periodically inspect your furniture for any loose glue joints, screws or any other problem that might affect the stability of your furniture. Tighten or repair as needed.

**DESIGN SUBJECT TO CHANGE WITHOUT NOTICE.**



**CALL US FIRST!** *Do not return this item to the store.*

**Service Policy:** We will replace any part that is defective, missing or damaged during assembly. Please contact Whittier Wood Products customer service department directly by phone, fax, mail or email for a replacement part.

**Hours:** Our friendly customer service staff can be reached Monday-Friday 7:00 a.m. to 5:00 p.m. (Pacific Time). You may leave a message 24 hours a day, seven days a week.

**To Order:** Designate the finish, provide the furniture model number found underneath the unit, the part letter, production code, quantity needed, reason for replacement, your full name, address and telephone number.

*Parts ship from our Eugene, Oregon factory within one or two business days from the time we receive your request. Please allow five to ten business days for delivery.*

**800-653-3336** • Outside the U.S. or Canada: 541-687-0213 • Fax: 541-687-2060  
www.whittierwood.com • P.O. Box 2827 • Eugene, Oregon 97402, U.S.A.

**Whittier  
Wood**  
FURNITURE

P.O. Box 2827  
Eugene, OR 97402 USA

Production Code:

02/10

# Glazed Antique Cherry finish (AEGAC) & Glazed Spice finish (AEGSP) & Caffè finish (AECAF) McKenzie Alder Bookcase — Parts List

Before you begin to assemble this unit, identify each part and  
make sure the quantities received match what is on this list.

If you need to replace a part, please refer to the following list for the part name and letter code.

**A — Adjustable Shelf**

Model #

1555AEGAC }  
1555AEGSP } Qty. 8  
1555AECAF }

1557AEGAC }  
1557AEGSP } Qty. 10  
1557AECAF }

**B — Shelf Bracket**

Model #

1555AEGAC }  
1555AEGSP } Qty. 32  
1555AECAF }

1557AEGAC }  
1557AEGSP } Qty. 40  
1557AECAF }

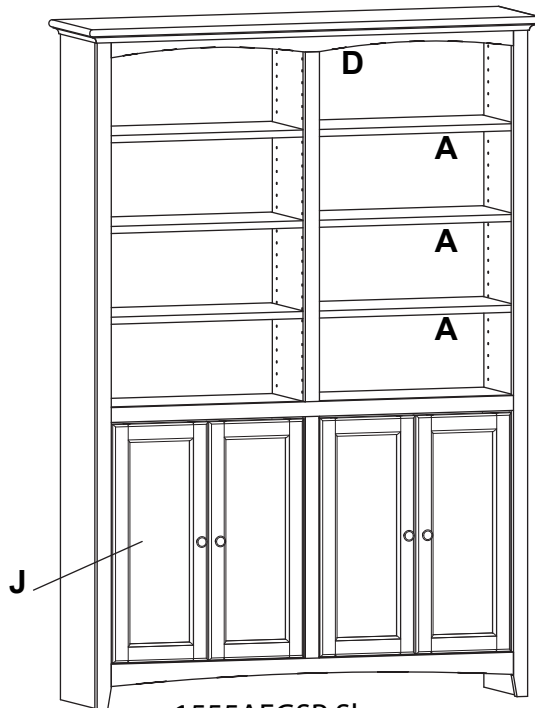


**C — #6 x 1/2" Undercut Screw**

Model #

1555AEGAC }  
1555AEGSP } Qty. 32  
1555AECAF }

1557AEGAC }  
1557AEGSP } Qty. 40  
1557AECAF }



1555AEGSP Shown

**D — Top Assembly — Qty. 1**

**F — Tack Glide — Qty. 2**

**G — #8 x 1" Pan Head Screw — Qty. 10**

**H — Nylon Insert — Qty. 2 (inserted)**

**I — Small Adjustable Glide — Qty. 2 (installed)**

**J — Door — Qty. 4 (installed)**

**K — Interior Hinge — Qty. 4 (installed)**

**L — Interior Base Plate — Qty. 4 (installed)**

**M — Knob — Qty. 4 (installed)**

**N — #8 x 1-1/2" Machine Screw — Qty. 4 (installed)**

**O — Exterior Hinge — Qty. 4 (installed)**

**P — Exterior Base Plate — Qty. 4 (installed)**

**P — Interior Base Plate Bolts — Qty. 4 (installed)**

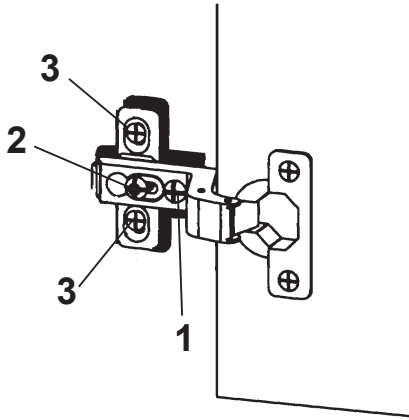
**TR — Tipping Restraint — Qty. 2**

# Glazed Antique Cherry finish (AEGAC) & Glazed Spice finish (AEGSP) & Caffè finish (AECAF) McKenzie Alder Bookcase — Assembly Instructions

Tools required: Phillips screwdriver

---

## 1. To adjust the doors:



### Side adjustment 4mm (5/32")

To move the door towards the side panel, loosen screw "1" and tighten screw "2". To move the door away from the side panel, loosen screw "2" and tighten screw "1".

### Depth Adjustment 4mm (5/32")

Loosen screw "2" (just one turn). Adjust the door to the desired position and retighten the screw.

### Height Adjustment 4mm (5/32")

Loosen screw "3", adjust the door to the desired position and retighten the screw.

---

## To move the adjustable shelves:

- Determine where you want to place the Adjustable Shelves (A). Remove the #6 x 1/2" Undercut Screws (C) from the underside of the shelf and take out the Shelf and Shelf Brackets (B). Insert the Shelf Brackets (flat side down) into the four different holes and insert the shelf. You may secure them by inserting #6 x 1/2" Undercut Screws (C).
  - Place the bookcase at your desired location. Level the unit using the Adjustable Glides (I) located on the bottom of the unit.
  - Install the Tipping Restraints (TR). Carefully follow the instructions inside the packages. If you cannot locate two studs, purchase the proper tipping restraint for your type of wall and install.
  - If there is a problem with a Hinge (K and/or O), do not attempt to remove it. Contact Whittier Customer Service first.
-