

McKenzie Twin Storage Beds

GAC = Glazed Antique Cherry finish

CAF = Caffè finish

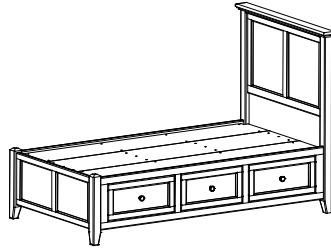
Assembly Instructions

Model #

1300GACf

1300CAff

**McKenzie
Twin Storage
Bed**

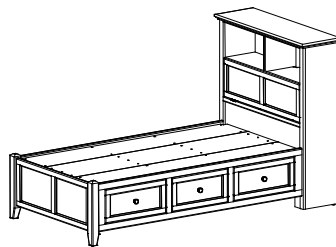


Model #

1359GACf

1359CAff

**McKenzie
Twin Bookcase
Storage Bed**



IMPORTANT NOTES:

- For normal household use only. *Not recommended for commercial use.*
- Remove items before you move this unit.
- Do not overload the drawers.
- This assembly requires two people.

WARNING

Drilling, sawing, sanding or machining wood products can expose you to wood dust, a substance known to the state of California to cause cancer. Avoid inhaling wood dust or use a dust mask or other safeguards for personal protection.

For more information go to: www.p65warnings.ca.gov/wood

This product can expose you to chemicals, including formaldehyde, which are known to the State of California to cause cancer. For more information go to: www.p65warnings.ca.gov/furniture

DESIGN SUBJECT TO CHANGE WITHOUT NOTICE.

Thank you for allowing us to help you furnish your home. We are certain you will be delighted with your new furniture for many years to come.

CUSTOMER SERVICE

If you ever have questions about your furniture, please do not hesitate to contact us. In the unlikely event you need a replacement part; we can make those parts available through an authorized Whittier Wood Furniture dealer. If you cannot order replacement parts through your dealer, please contact our customer service department.

Hours: Our friendly customer service staff can be reached:

Monday-Friday 8:00 a.m. to 5:00 p.m. (Pacific Time).

You may leave a message 24 hours a day, seven days a week.

Customer Service: 800-653-3336 • Outside the U.S.: 541-687-0213

Fax: 541-687-2060 • Email: info@whittierwood.com

**Whittier
Wood**
FURNITURE

P.O. Box 2827
Eugene, OR 97402 USA

Production Code:

VN

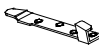
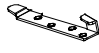
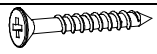



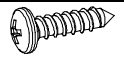
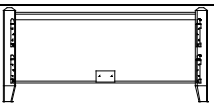
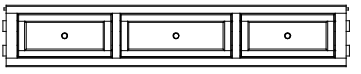
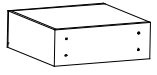

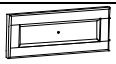

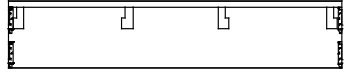
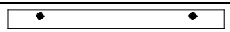
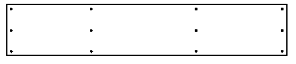




08/17

**1300GACf 1300CAFF McKenzie Twin Storage Bed
& 1359GACf 1359CAFF McKenzie Twin Bookcase Storage Bed**

Parts List





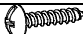







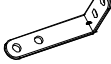
Please identify the parts and check that quantities received match those on this list.
If you need to replace a part, refer to the following letter and part name.

**1301GACf 1301CAFF
Footboard, Pedestal and Side Panel Kit (x1)**

Part	Description	Quantity
B	Left Bracket (attached) 	6
C	Right Bracket (attached) 	6
D	#8 x 1" Black Screw (inserted) 	48
le	#8 x 7/8" Black Lo-Profile Screw (inserted) 	16
V	#8 x 1-1/4" Black Screw (inserted) 	60 (40 inserted)
XC	#8 x 1-1/2" Machine Screw Tuscan (installed) 	3
XD	#10 x 3/4" Pan Head Screw (inserted) 	8
YB	Footboard Assembly 	1
YC	Pedestal Kit 	1
YD	Small Drawer Box (assembled) 	1
YE	Large Drawer Box (assembled) 	2
YF	Small Drawer Face (attached) 	1
YG	Large Drawer Face (attached) 	2
YH	Side Panel 	1
YI	Trestle with T-Nuts 	4
YJ	Center Deckboard 	1
YK	Notched Deckboard (not attached) 	1
YL	Attached Deckboard (attached to pedestal) 	1
YM	Assembled Foot 	2
YN	Foot Bracket (attached) 	2

**1300GACf 1300CAFf McKenzie Twin Storage Bed
& 1359GACf 1359CAFf McKenzie Twin Bookcase Storage Bed**

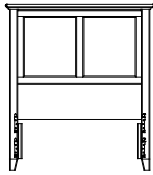


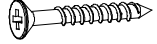
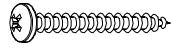
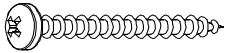
Parts List

Part	Description	Quantity
YO	Adjustable Glide (installed) 	2
YP	Knob (attached) 	3
YR	20" Drawer Slides (pre-installed sets) 	3
YS	#6 x 1/2" Philtruss Screw 	26 (18 inserted)
YT	#6 x 3/4" Philtruss Screw (inserted) 	18
YU	1/4" x 1-3/4" Hex Bolt 	8
YV	Washer 	8
YW	90° Bracket (2 holes) 	2
YY	1/4" X 20mm Insert Nut (inserted) 	6
YZ	1/4" T-Nut (inserted) 	8
ZA	#8 x 1-5/8" Black Screw (inserted) 	18
ZB	#8 x 2" Black Screw (inserted) 	16
ZG	90° Bracket (4 holes) 	1

Please note this Assembly Instruction is for either the Twin Storage Bed or the Twin Bookcase Storage Bed. The Parts list for each headboard follows on pages 4, 5 and 6.

**1300GACf 1300CAff McKenzie Twin Storage Bed
& 1359GACf 1359CAff McKenzie Twin Bookcase Storage Bed**
Parts List




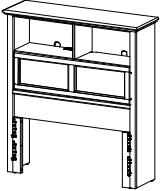

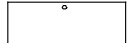



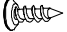

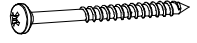


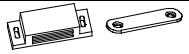




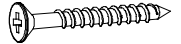
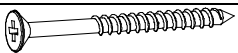
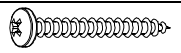


1302GAC 1302CAF Twin Headboard Kit (x1)

Part	Description	Quantity
A	Headboard Assembly 	1
B	Left Bracket (attached) 	2
C	Right Bracket (attached) 	2
D	#8 x 1" Black Screw (inserted) 	16
X	#8 x 1-1/4" Pan Head Screw (inserted) 	4
ZD	#12 x 2-1/2" Pan Head Screw (inserted) 	6

**1300GACf 1300CAFf McKenzie Twin Storage Bed
& 1359GACf 1359CAFf McKenzie Twin Bookcase Storage Bed**


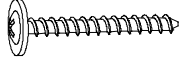
Parts List

1361GACf 1361CAFf Bookcase Headboard Kit (x1)

Part	Description		Quantity
B	Left Bracket (attached)		2
C	Right Bracket (attached)		2
D	#8 x 1" Black Screw (inserted)		16
Ed	Bookcase Headboard Assembly		1
F	Assembled Door (attached)		1
G	False Bottom		2
le	#8 x 7/8" Black Lo-Profile Screw (inserted)		4
J	Wire Clip Screw (attached)		3
K	Door Stay (attached)		1
L	#6 x 5/8" Undercut Screw ZN (inserted)		4
M	Door Stay Support (attached)		1
N	#6 x 1-1/4" Black Pan Head Screw (inserted)		3
O	Hinge (installed)		3
P	#6 x 5/8" Undercut Screw AB (inserted)		22
Q	Magnetic Catch Kit (attached)		2 sets
R	#6 x 5/8" Philtruss Screw (inserted)		9
S	Corner Brace (attached)		2
T	Large Adjustable Glide (installed)		2
U	#8 x 5/8" Pan Head Screw (inserted)		8
V	#8 x 1-1/4" Black Screw (inserted)		4
W	#8 x 2-1/4" Black Screw (inserted)		6
X	#8 x 1-1/4" Pan Head Screw (inserted)		4
XA	Top Assembly (attached)		1
XB	Power Bar and USB (installed)		1

**1300GACf 1300CAFf McKenzie Twin Storage Bed
& 1359GACf 1359CAFf McKenzie Twin Bookcase Storage Bed**

Parts List

Part	Description	Quantity
YA	Tack Glide (attached) 	4
ZI	#8 x 1-3/8" Lo-Profile Screw (inserted) 	6

1300GACf 1300CAFf McKenzie Twin Storage Bed & 1359GACf 1359CAFf McKenzie Twin Bookcase Storage Bed

Assembly Instructions

This assembly requires two people.

Tools Required: Phillips screwdriver, Slotted Screwdriver, 7/16" open end or box end wrench.

1. Remove the Assembled Feet (YM) from the back of the Footboard (YB) as seen in Figure 1 and place them off to the side.

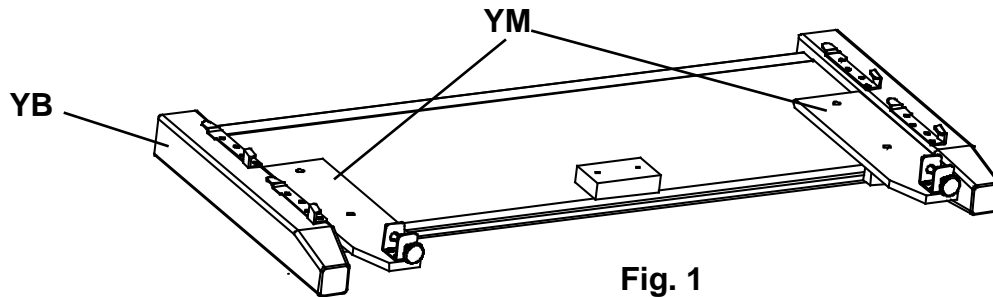


Fig. 1

2. The orientation of the drawer opening will be based on facing the backside of the footboard. Decide if you want the drawers to open on the left side or the right side of the bed. Figure 2 below shows the drawers opening on the right side. If you want the drawers to open on the left side, move the Footboard (YB) to the opposite end of the Pedestal Kit (YC). To attach the Footboard (YB) to the Pedestal Kit (YC), align the brackets and slide the Pedestal Kit down on to the Footboard (YB). See Figures 2 and 2a.

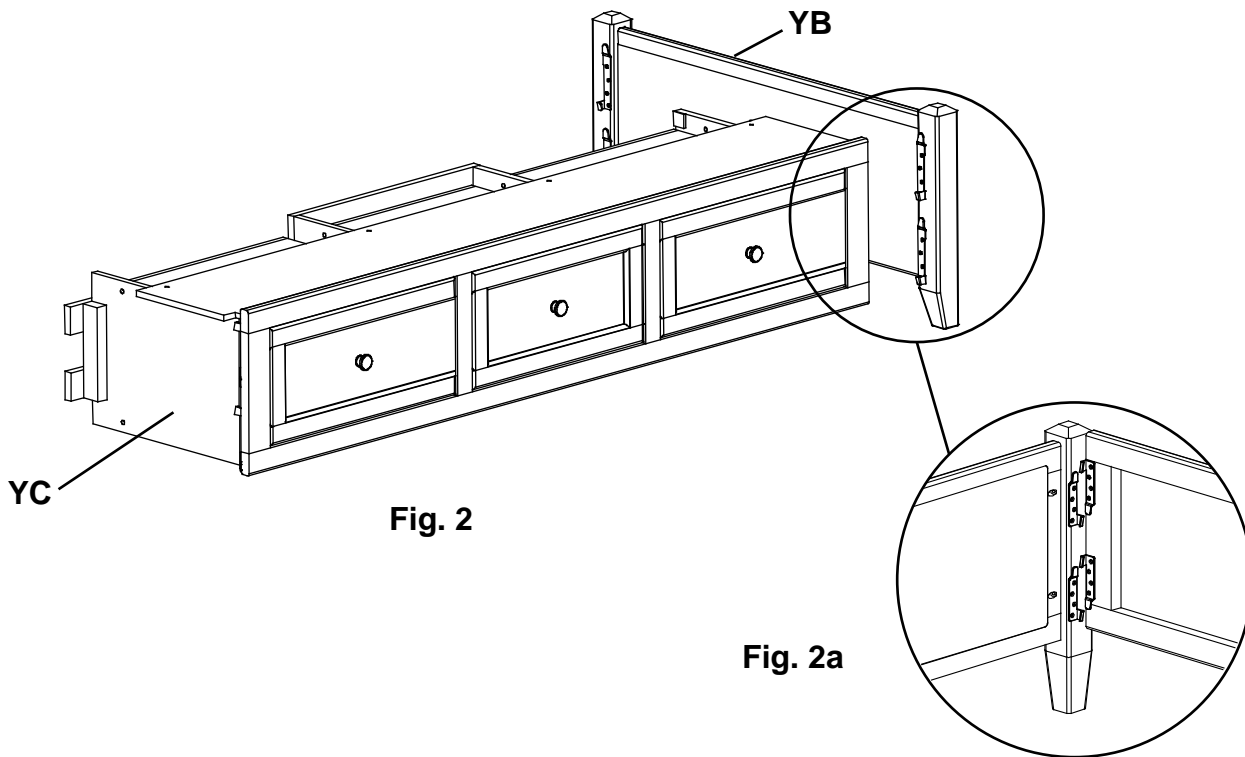


Fig. 2

Fig. 2a

1300GACf 1300CAFf McKenzie Twin Storage Bed & 1359GACf 1359CAFf McKenzie Twin Bookcase Storage Bed

Assembly Instructions

This assembly requires two people.

- To attach the Side Panel (YH) to the Footboard (YB), align the brackets and slide the Side Panel (YH) down on to the Footboard (YB). See Figures 3 and 3a.

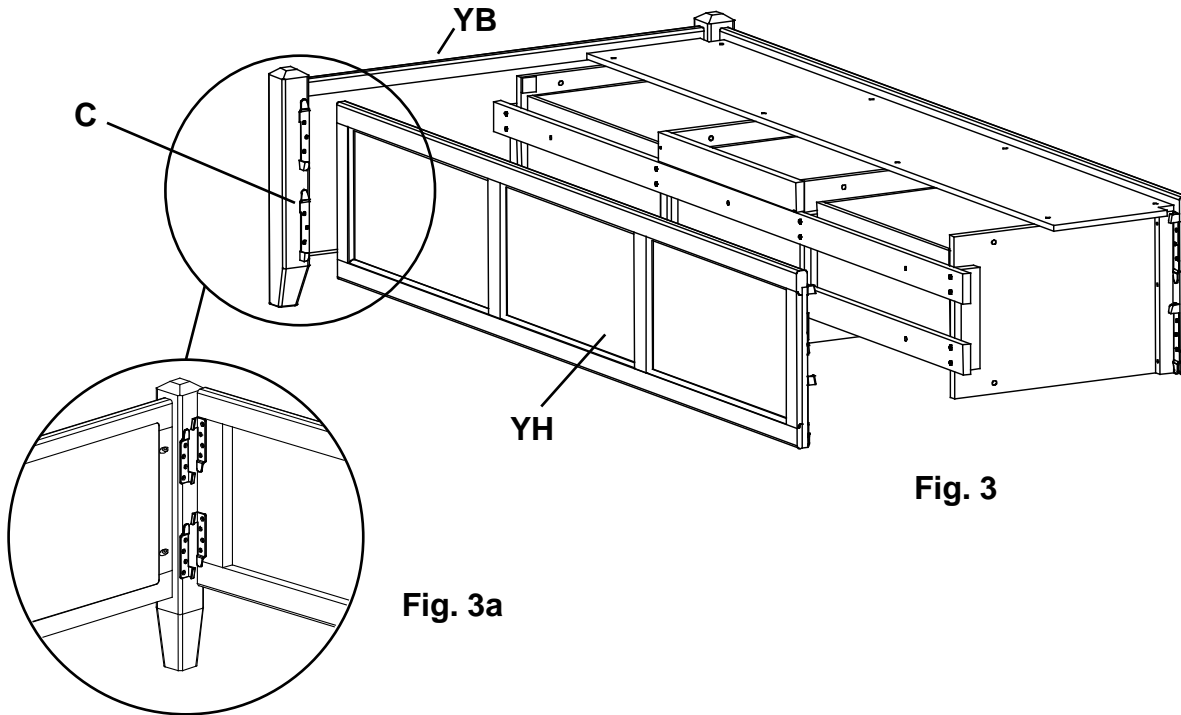


Fig. 3

Fig. 3a

- Move your Twin Headboard (A) or Twin Bookcase Headboard (Ed) into position. Make sure the drawers are opening on the side you desire. If you are satisfied, align and slide the brackets of the Bed Assembly on to the brackets of the Headboard (A or Ed). If you are not satisfied with the drawer position, remove the Footboard (YB) from the Bed Assembly and install at the opposite end. Attach the Headboard (A or Ed). See Figures 4 or 4a.

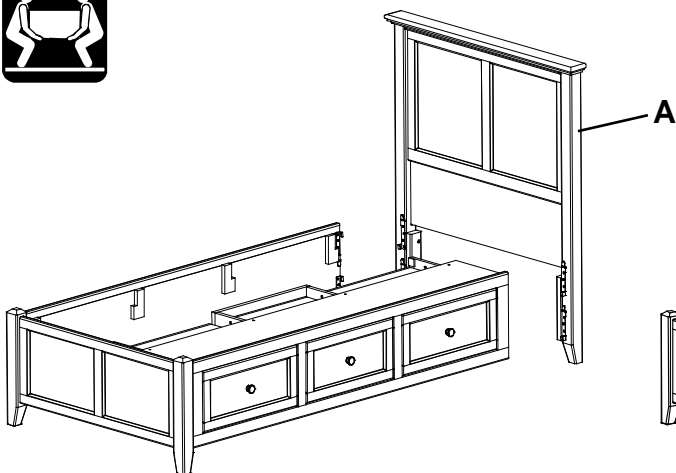


Fig. 4

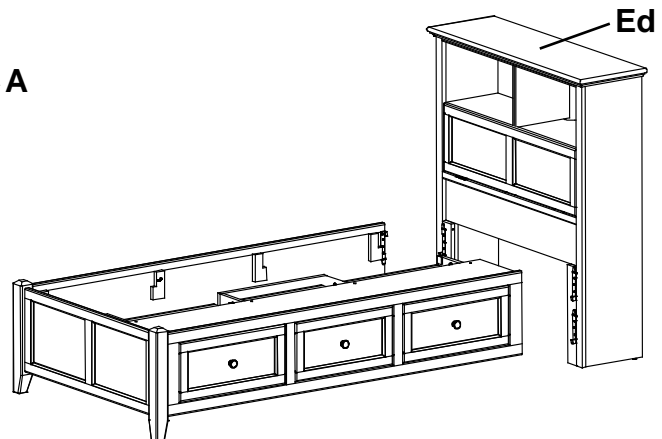


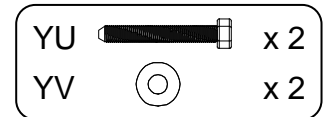
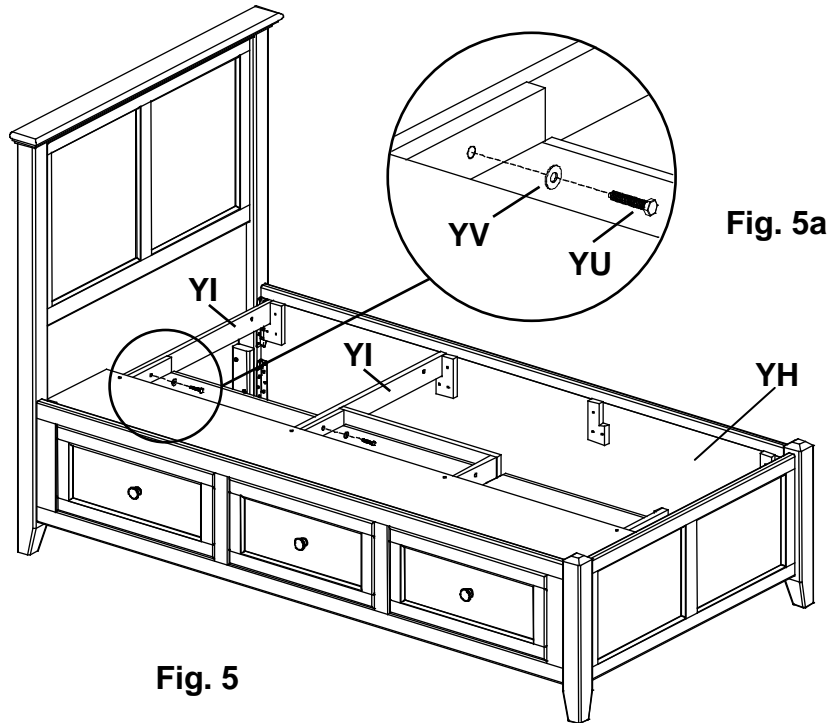
Fig. 4a

1300GACf 1300CAFf McKenzie Twin Storage Bed & 1359GACf 1359CAFf McKenzie Twin Bookcase Storage Bed

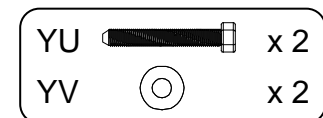
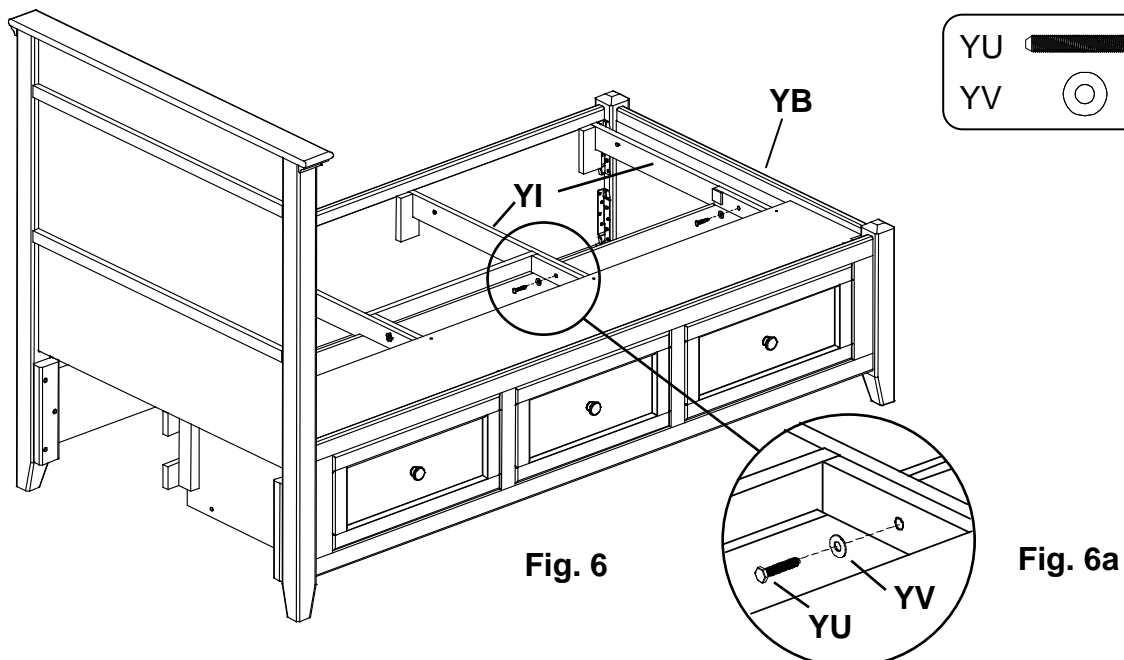
Assembly Instructions

This assembly requires two people.

- Place one end of a Trestle with T-Nuts (YI) facing towards the Headboard, behind the rib in the pedestal closest to the Headboard. Place the other end of the Trestle into the notched bracket in the Side Panel (YH). See Figure 5. Place a Washer (YV) onto a 1/4" x 1-3/4" (YU) and insert through the holes in the rib and Trestle as seen in Figure 5a, threading into the T-Nut. Repeat for a second Trestle with T-Nuts (YI).



- Attach two more Trestles with T-Nuts (YI) that face the Footboard (YB) as seen in Figure 6 and 6a.

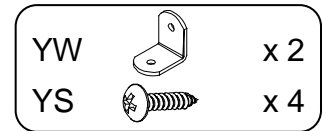
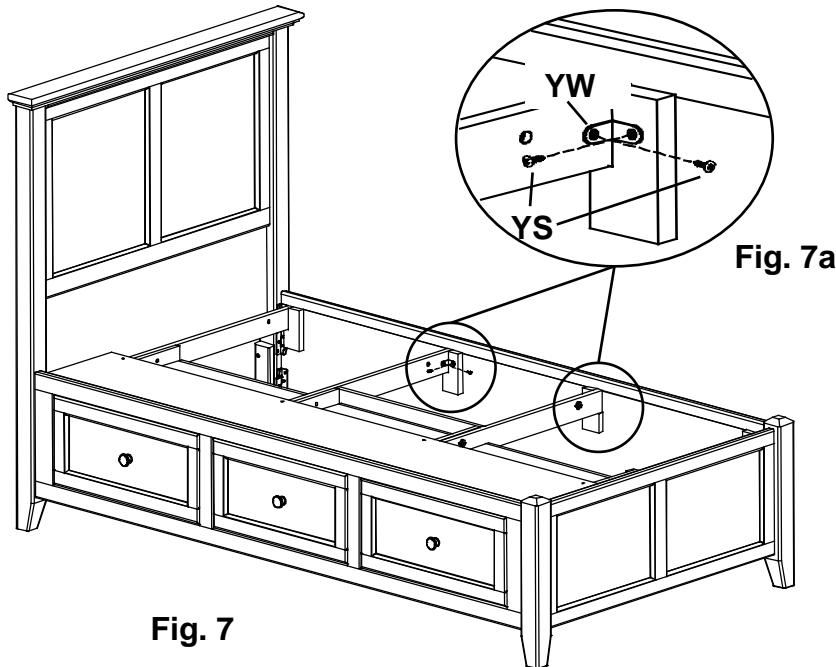


1300GACf 1300CAFf McKenzie Twin Storage Bed & 1359GACf 1359CAFf McKenzie Twin Bookcase Storage Bed

Assembly Instructions

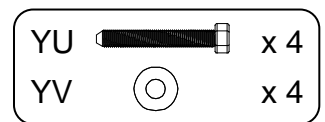
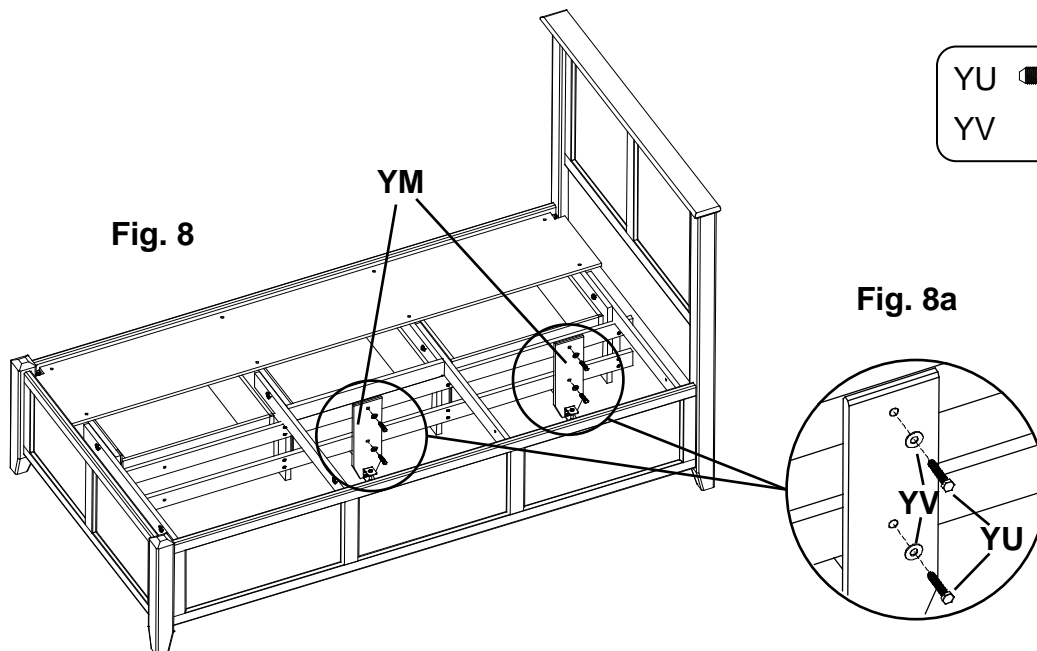
This assembly requires two people.

7. Using the 90° brackets with two holes (YW) attach the two middle Trestles to the notched brackets in the Side Panel (YH) with four #6 x 1/2" Philtruss Screws (YS). See Figures 7 and 7a.



8. **NOTE: There are blocks mounted on the back side of the Footboard to support the end of the pedestal eliminating the need for an Assembled Foot in this position where it would be easily visible. Do not attach an Assembled Foot in the position near the footboard.**

Locate the holes and T-nuts in the horizontal stretchers of the Pedestal Assembly. In the sets of stretcher holes nearest the Headboard, attach the two Assembled Feet (YM) to the stretchers using four 1/4" x 1-3/4" (YU) and four Washers (YV). See Figure 8 and 8a.

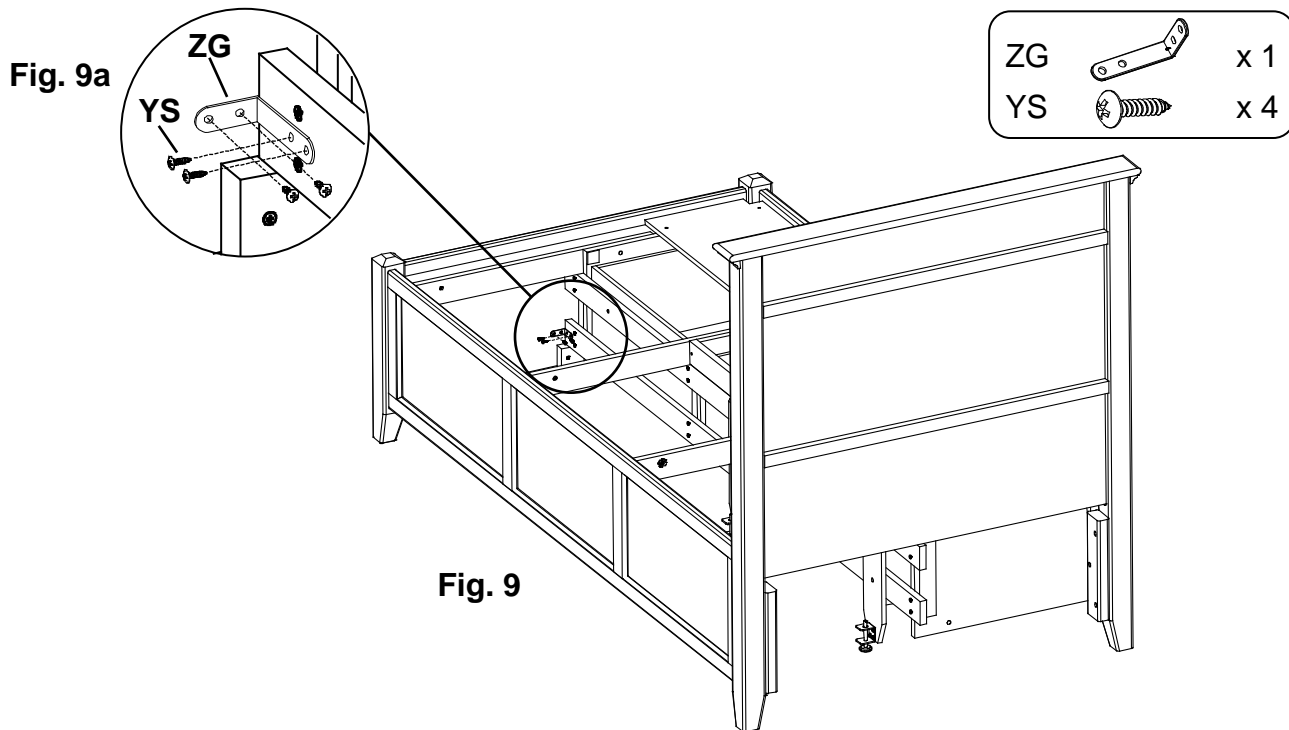


1300GACf 1300CAFf McKenzie Twin Storage Bed & 1359GACf 1359CAFf McKenzie Twin Bookcase Storage Bed

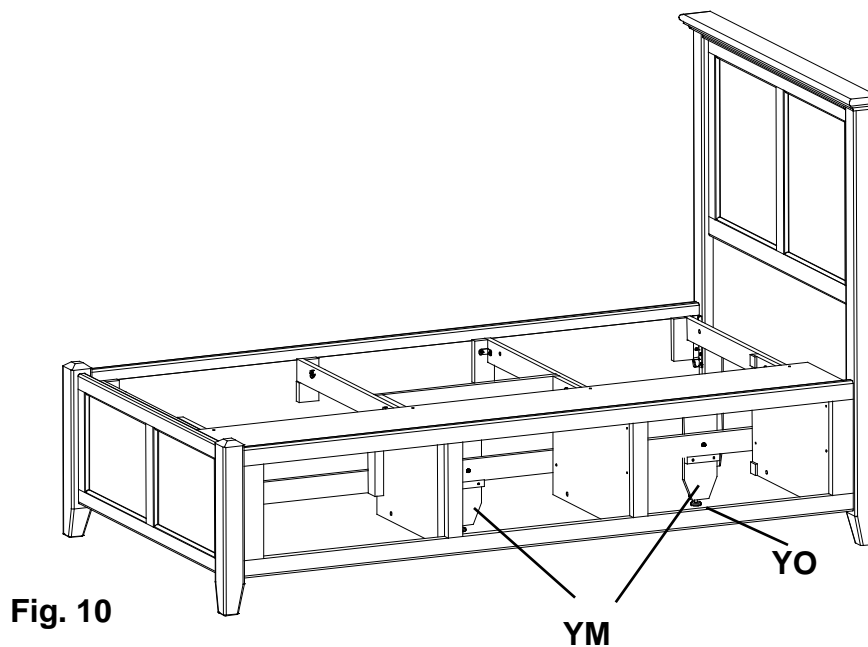
Assembly Instructions

This assembly requires two people.

9. Facing the Footboard, attach the lower brace of the Pedestal Assembly to the Footboard with the 90° bracket with four holes (ZG) and four #6 x 1/2" Philtruss Screws (YS). See Figures 9 and 9a.



10. Move the Bed Assembly to its final destination. Adjust the Glides (YO) in the bottoms of the Assembled Feet (YM) so that they touch the floor and bear weight. See Figure 10.



1300GACf 1300CAFf McKenzie Twin Storage Bed & 1359GACf 1359CAFf McKenzie Twin Bookcase Storage Bed

Assembly Instructions

This assembly requires two people.

11. If you have a Bookcase Headboard, stand in the open area of the assembly and reach behind the bookcase front legs to find the Large Adjustable Glides (T). Using a slotted screw driver, rotate the Large Adjustable Glides (T) clockwise until they bear weight. See Figures 11, 11a and 11b.

This is important if the bookcase headboard sits upon a carpet tack strip.

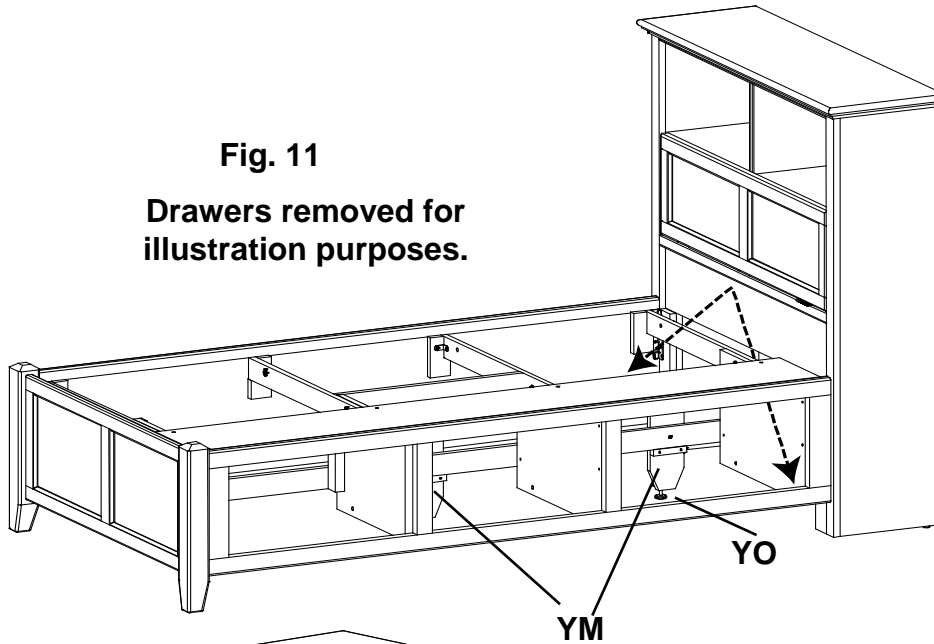


Fig. 11a

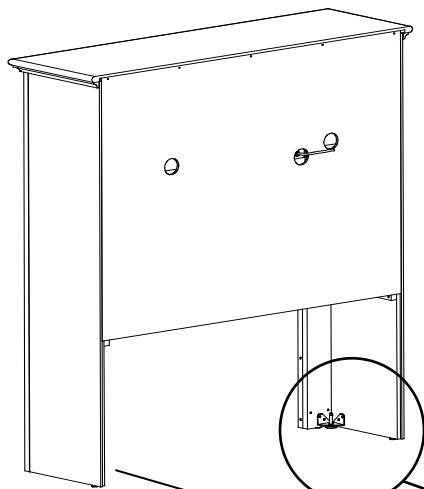
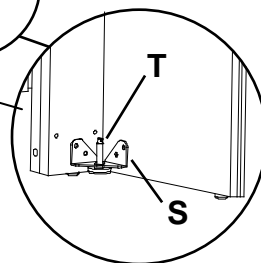


Fig. 11b



The top of the Large Adjustable Glide (T) is slotted.

1300GACf 1300CAFf McKenzie Twin Storage Bed & 1359GACf 1359CAFf McKenzie Twin Bookcase Storage Bed

Assembly Instructions

This assembly requires two people.

12. To make sure the bed is square, measure the distance between opposing corners. If one of the measurements is larger tap on a footboard leg until the measurement is equal. See Figure 12.

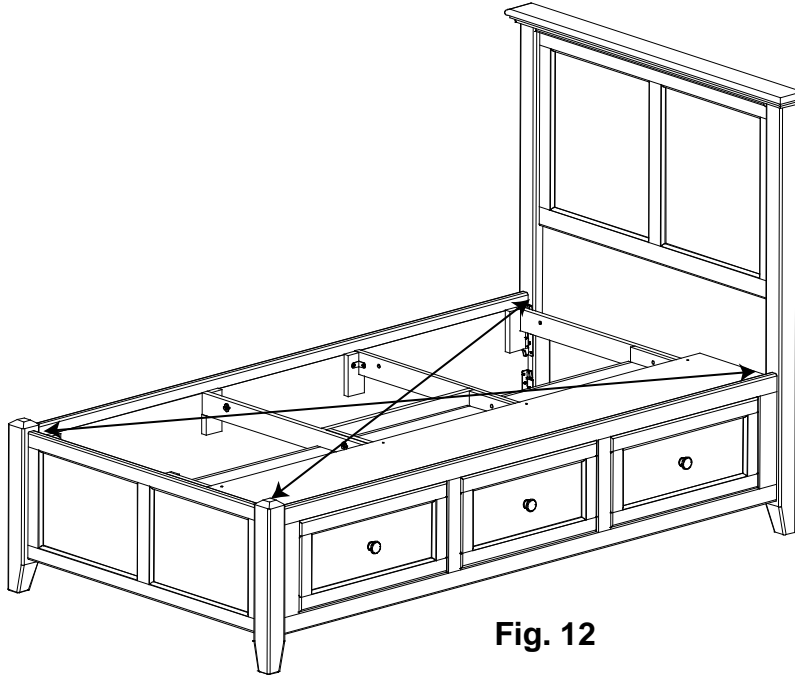


Fig. 12

13. Place the Center Deckboard (YJ) in the middle and with the notches facing out place the Notched Deckboard (YK) as shown in Figure 13. There should be a small gap between each deckboard. Secure with twenty #8 x 1-1/4" Black Screws (V).

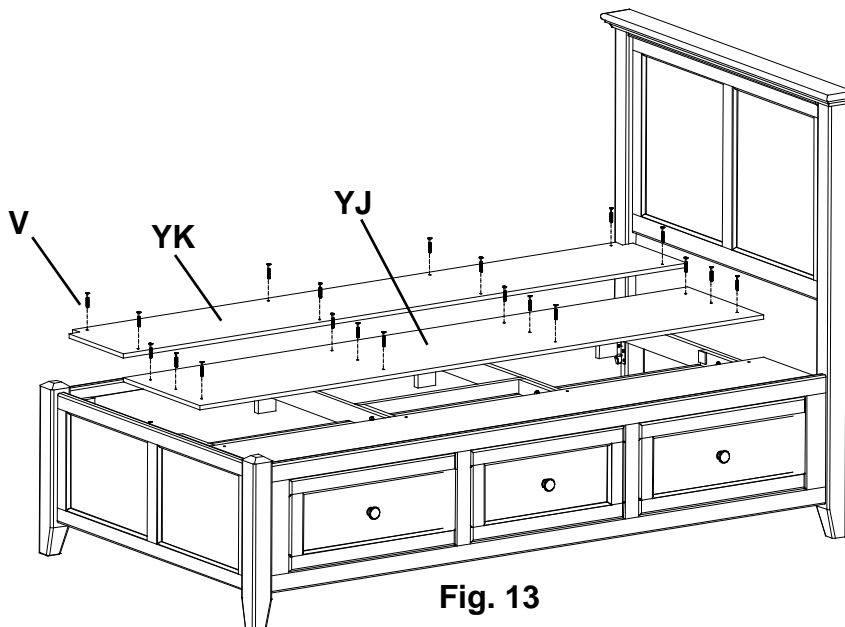
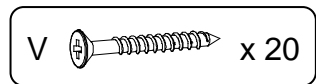


Fig. 13



1300GACf 1300CAFf McKenzie Twin Storage Bed & 1359GACf 1359CAFf McKenzie Twin Bookcase Storage Bed

Assembly Instructions

This assembly requires two people.

Steps 14 – 15 are for the Bookcase Headboard Only

14. To adjust the brake tension on the Door Stay (K) turn the screw on the Door Stay clockwise to loosen or counterclockwise to tighten. See Figures 14 and 14a.

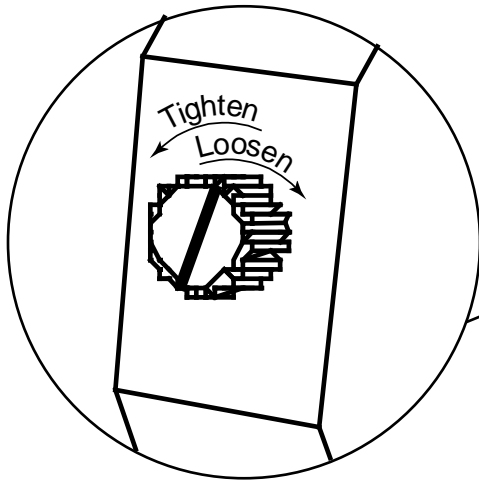


Fig. 14a

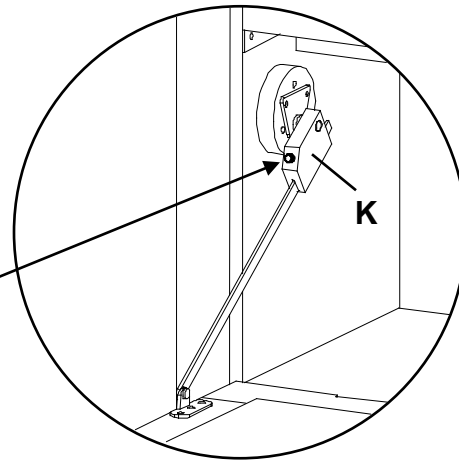


Fig. 14

15. Unwrap the False Bottoms (G) and place them on top of the rails in the Headboard Assembly (Ed). Make sure the finger holes face forward as shown in Figure 15. After you have placed your electronics inside the cubbies, use the Wire Clips (J) on the underside of the cubbies to secure the wires. Close the door tightly making sure the magnetic catches and plates securely touch.

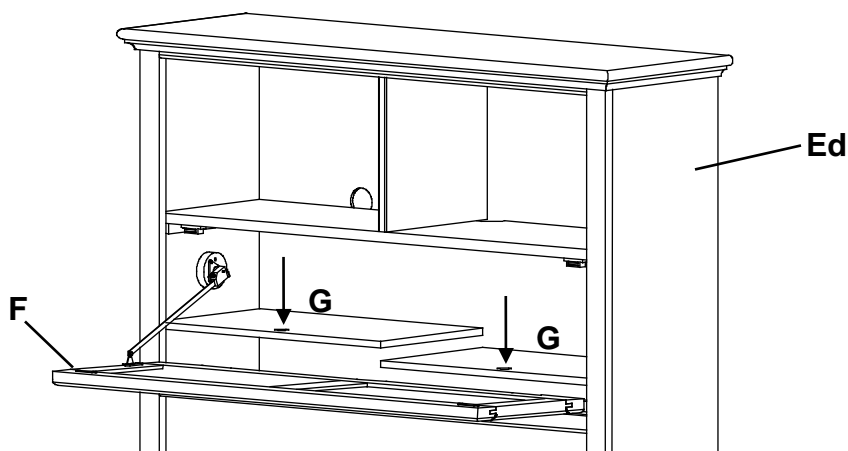


Fig. 15