


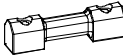




Media Furniture Tipping Restraint Instructions



Safety First! Anchor It!



Before you begin this assembly, identify each part and make sure the quantities received match what is on this list. If you need to replace a part, contact Whittier Wood Furniture customer service and refer to the following list for its name and letter code.

Part	Description	Quantity
A	Cam Buckle and Short Strap (installed) 	1
B	Plastic Bracket (installed) 	1
C	1" x 1000mm Long Strap (installed) 	1
D	#8 x 3" Pan Head Screw 	2
E	#10 x 1" Oval Head Screw (inserted) 	1
F	Washer 	1

⚠ WARNING

Children have died from furniture tipover. To reduce the risk of furniture tipover:

- ALWAYS install tipover restraint provided.
- Refer to TV manufacturers User Guide for instructions to secure television.
- NEVER allow children to stand, climb or hang on drawers, doors or shelves.
- NEVER open more than one drawer at a time.
- Place heaviest items in the lowest drawers.

Attention: Attached to the bottom of or included with this unit is a tipping restraint kit. When you receive your furniture, be sure to find and install the tipping restraint as instructed in the kit. If you cannot locate the restraint, please contact us immediately for replacement.

☎ CONTACT US

Our friendly customer service staff can be reached Monday-Friday 7:00 a.m. to 5:00 p.m. (Pacific Time).
You may leave a message 24 hours a day, seven days a week.

800-653-3336 • Outside the U.S. or Canada: 541-687-0213 • Fax: 541-687-2060
www.whittierwood.com • P.O. Box 2827 • Eugene, Oregon 97402, U.S.A.



P.O. Box 2827
Eugene, OR 97402 USA

Production Code:

VN

08/19

Assembly Instructions



This assembly requires two people.

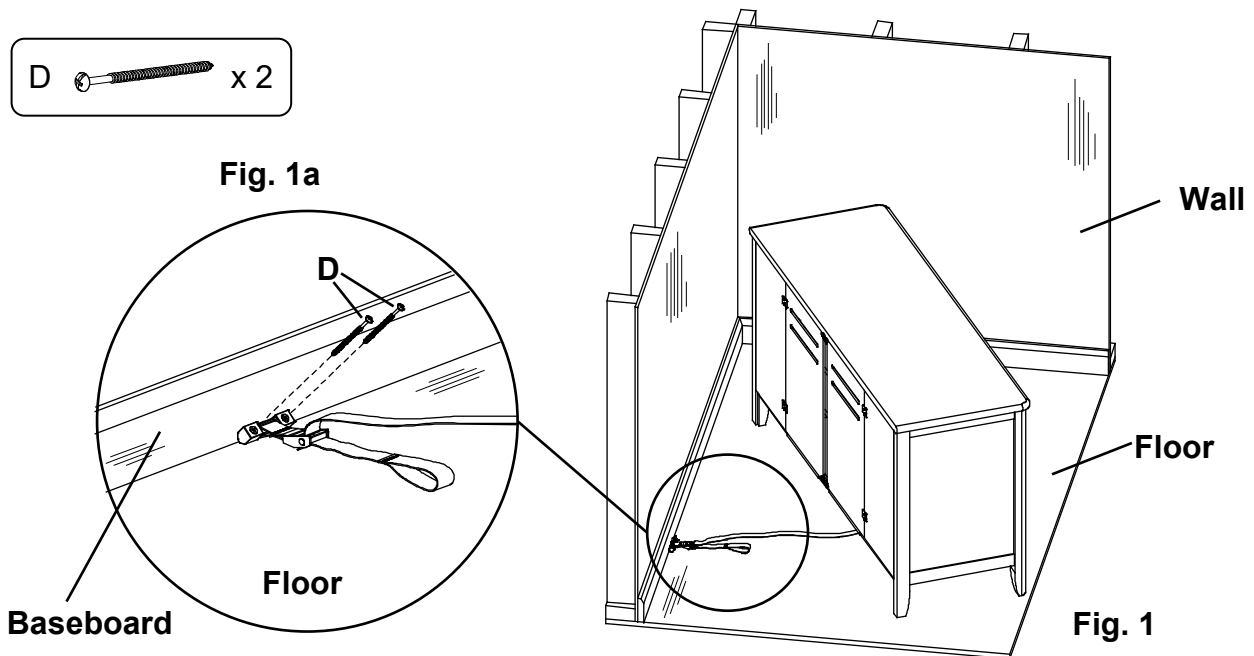
This instruction is intended to secure your Furniture from tipping hazards. Please refer to the manufacturer's User's Guide for information on how to secure your TV.

Recommended Floor Mounting

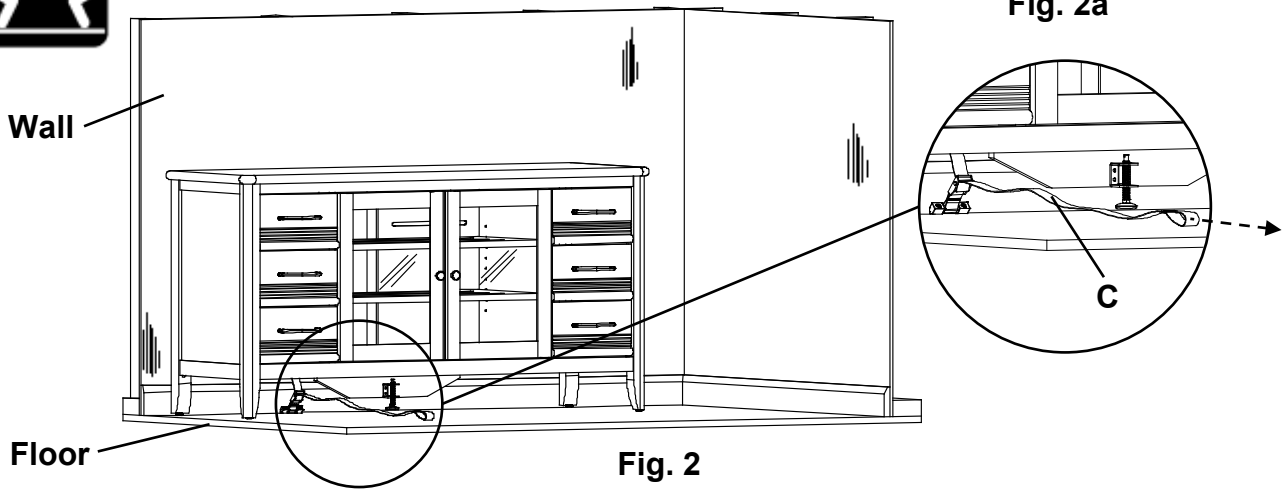
Tools Required: Phillips Screwdriver, Pencil.

This attachment method is recommended for floors with carpeting, wood, laminate or vinyl. If you are not able or do not want to attach at the edge of your floor an alternate method of attaching is provided beginning on page 3.

1. Decide where you want to place the piece of furniture in your room. Mark the baseboard with a pencil mark directly behind the location where the tipping restraint is attached to your item. Move the item away from the wall far enough to allow you to access the spot where the baseboard meets the floor. Position the straps and Plastic Bracket (B) as shown in Figures 1 and 1a with the angled corners of the Plastic Bracket (B) firmly placed against the seam of the baseboard and floor. Attach by driving #8 x 3" Pan Head Screws (D) through the holes in the Plastic Bracket (B) into the seam below the baseboard where it meets the floor. See Figures 1 and 1a.



- Move the item back into position against the wall and reach underneath the piece of furniture to grasp the loop in the free end of the strap. Pull the free end of the strap until portion between the Cam Buckle (A) and the back apron of the item is tight. See Figures 2 and 2a. If you need to move the piece of furniture reach beneath and locate the buckle which connects the two sections of the strap and depress the release lever, then pull on the section of strap that is between the buckle and the back apron of the furniture until there is enough slack to allow you to pull the item away from the wall.

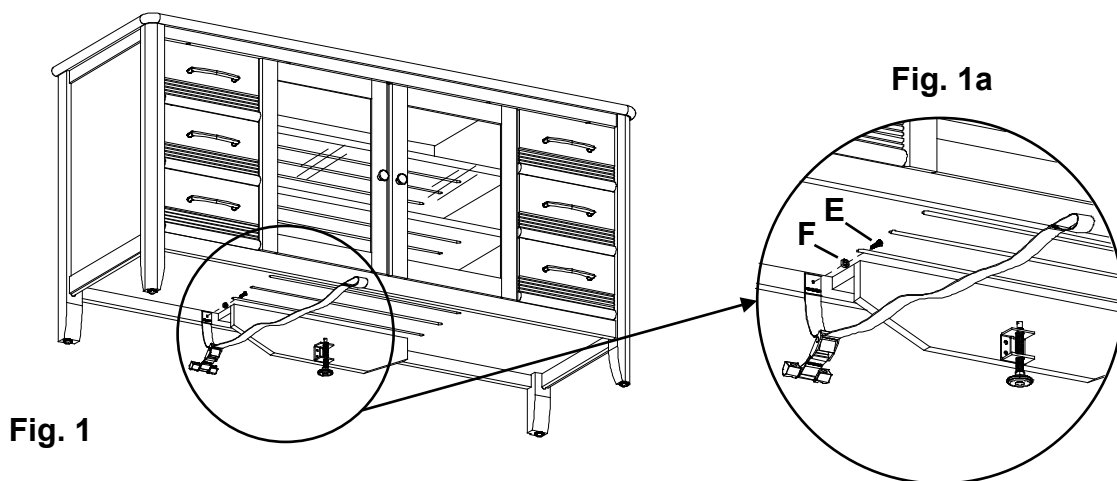


If you are not able or do not want to attach at the edge of your floor. The following steps offer you an alternative mounting option.

Alternative Wall Mount

Tools Required: Phillips Screwdriver, Tape Measure, Pencil, optional: Drill and 1/16" Drill bit

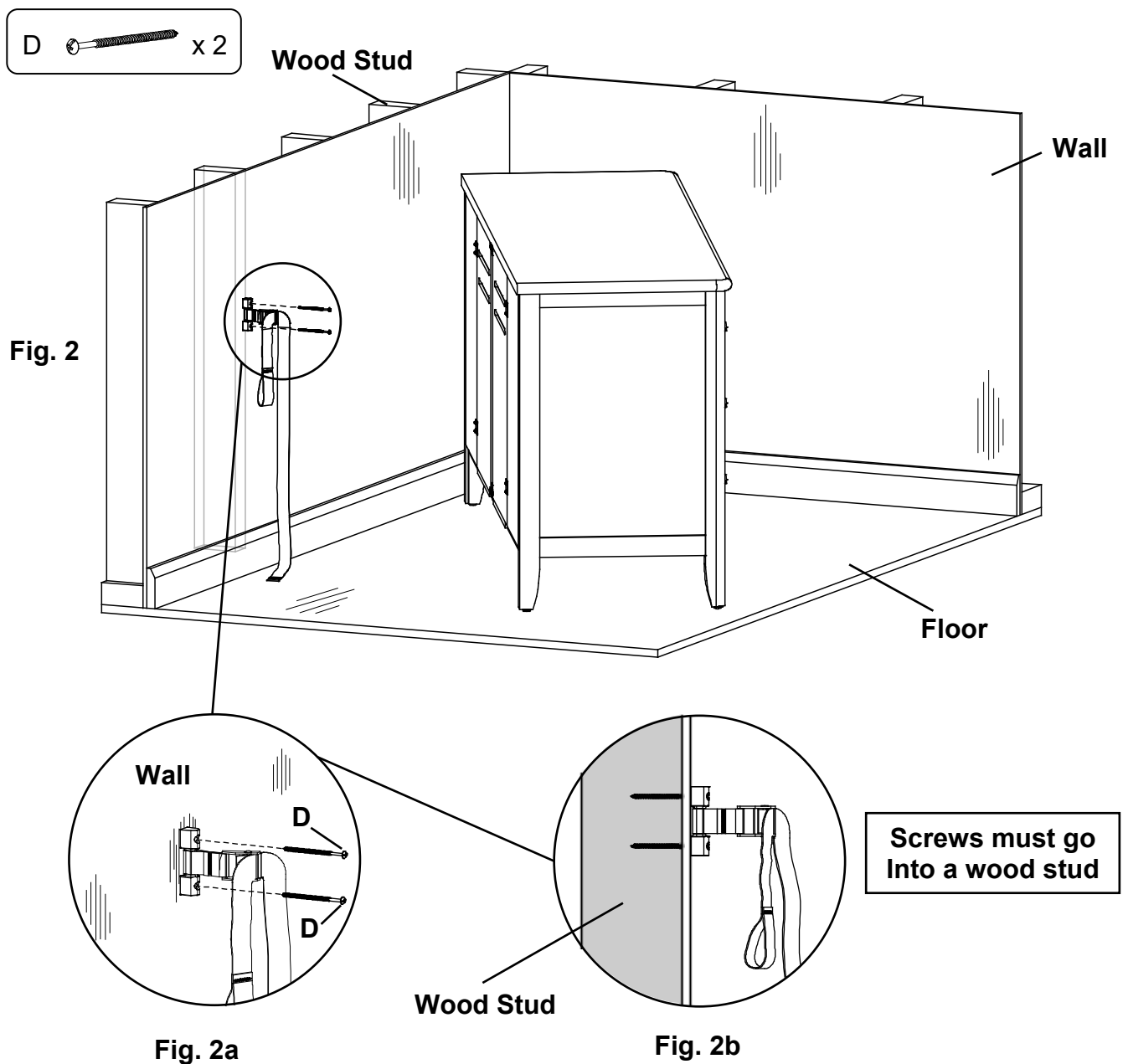
- Locate where the Tipping Restraint is attached to the bottom apron of the piece of furniture and remove the #10 x1" Oval Head Screw (E) and Washer (F) along with the Tipping Restraint. See Figures 1 and 1a.



2. Decide where you want to place the piece of furniture in your room.

Move the case away from the wall and locate the wood studs behind the case. A strong small magnet is helpful to locate the studs in the wall. The magnet will help you find the nails or screws used to attach the wall to the studs. When you have found a screw you have found a stud. Studs are usually 16" on center. Choose the wooden stud which is closest to the center of your case. Measure 4" down from the top of your piece of furniture then place a small pencil mark on your wall over the stud. Position the Plastic Bracket (B) of the Tipping Restraint vertically against the wall with the top edge lined up to the mark you have made, attach the flat side against the wall, using two #8 x 3" Pan Head Screws (D). See Figures 2 and 2a.

The screws attaching your furniture to the wall MUST BE INSERTED INTO A WALL STUD. DO NOT ATTEMPT TO USE WALL ANCHORS. See Figure 2b.



3. Attaching strap to furniture.

The strap will be attached to the case directly above where the other end of the tipping restraint is attached to the wall. The strap should be screwed to the back of the case just below the top. (There is a wood rib behind the back which the screw must go into). Drilling a small pilot hole for the screw will help you to put the screw in easily. If you have a power screwdriver and P-2 bit pre-drilling is not necessary. See figures 3 and 3a.

Note: Strap does not need to be screwed in center of the case. Screw it where it lines up directly above and in-line with the stud where the other end of tipping restraint is attached to the wall.

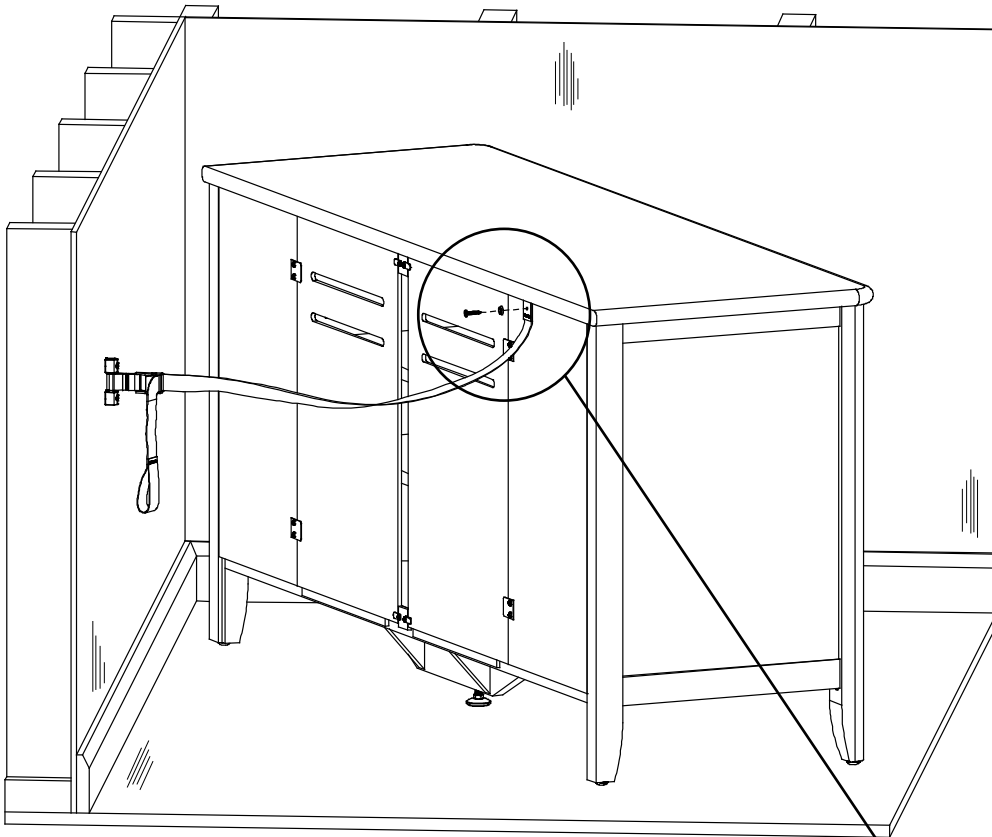


Fig. 3

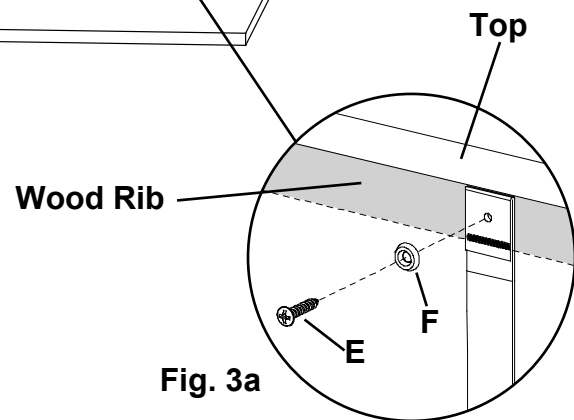


Fig. 3a

**Screw just below top
into the wood rib**

4. Place your furniture piece close to the wall. Reach behind and pull the loop end of the Long Strap (C) toward the end of the furniture piece until the strap is tight. Once you have enough length of the strap drawn through to reach past the end of the furniture piece shift the piece as close to the wall as possible and retighten the strap. See Figures 4 and 4a.

If you need to move the piece of furniture reach behind and locate the buckle which connects the two sections of the strap and depress the release lever, then pull on the section of strap that is between the buckle and the back of the furniture until there is enough slack to allow you to pull the item away from the wall.

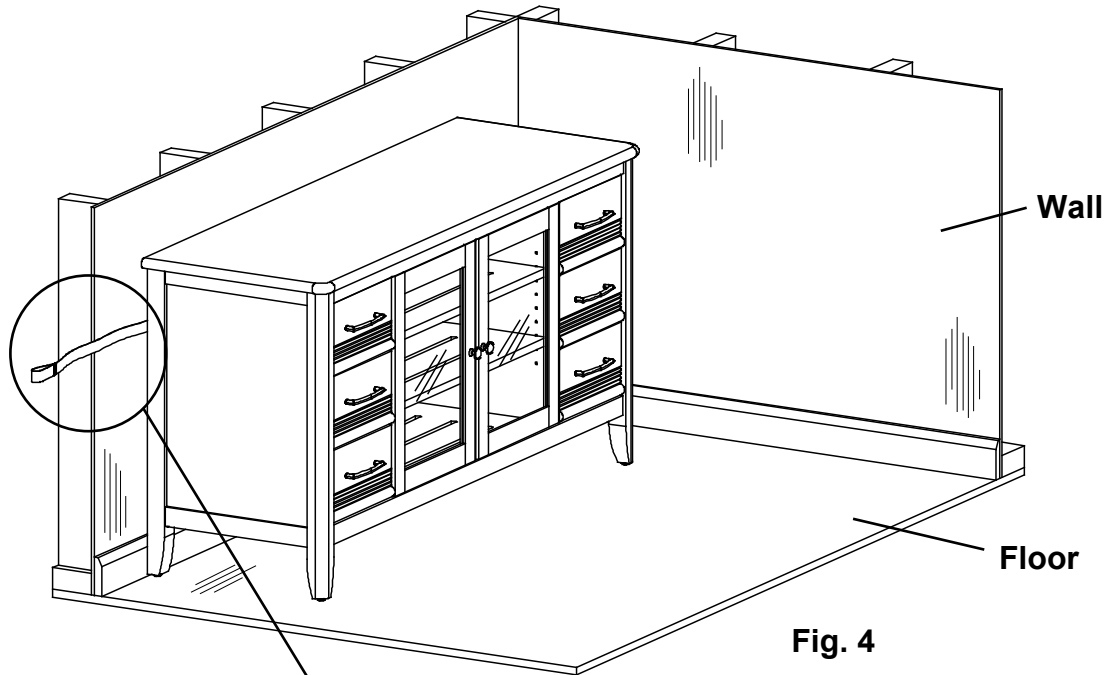


Fig. 4

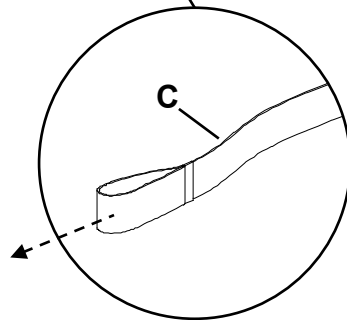


Fig. 4a