

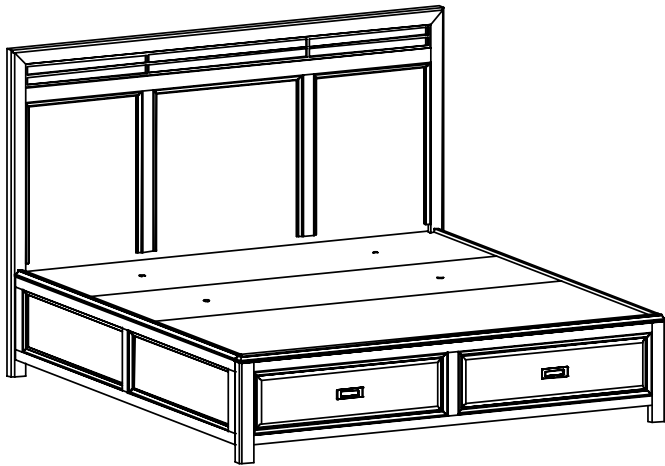
Model #

7137GDRC

Northgate King Storage Bed

Glazed Dark Chestnut finish

Assembly Instructions



IMPORTANT NOTES:

- For normal household use only. *Not* recommended for commercial use.
- Remove items before you move this unit.
- Do not overload the drawers.
- Before you load or move this unit, tighten all screws and supports.
- Before you begin your project, completely read the Assembly Instructions.
- Store this item: 1- in its box; 2- in a dry place; 3- in temperatures that range from 40°F to 90°F (not on a cold and possibly damp cement floor).
- Periodically inspect your furniture for any loose glue joints, screws or any other problem that might affect the stability of your furniture. Tighten or repair as needed.
- This assembly requires two people.

DESIGN SUBJECT TO CHANGE WITHOUT NOTICE

Congratulations!

This fine piece of furniture will make a gorgeous addition to your home. For the best results, read the Assembly Instructions before you begin your project.



CALL US FIRST! Do not return this item to the store

Service Policy: We will replace any part that is defective, missing or damaged during assembly. For a replacement part, contact Whittier Wood Products customer service department by phone, fax, mail or email.

Hours: Our friendly customer service staff can be reached Monday-Friday 7:00 a.m. to 5:00 p.m. (Pacific Time). You may leave a message 24 hours a day, seven days a week.

To Order: Provide the finish and furniture model number (upper portion of this page), the part letter, production code, quantity needed, reason for replacement and your full name, address and telephone number.

Parts ship from our Eugene, Oregon factory within one or two business days from the time we receive your request. Please allow five to ten business days for delivery

800-653-3336 • Outside the U.S. or Canada: 541-687-0213 • Fax: 541-687-2060
www.whittierwood.com • P.O. Box 2827 • Eugene, Oregon 97402, U.S.A.

**Whittier
Wood**
FURNITURE

P.O. Box 2827
Eugene, OR 97402 USA

Production Code:

VN

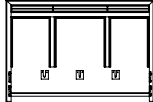



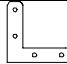


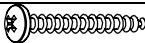
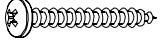
09/11

7137GDRC Northgate King Storage Bed

Parts list


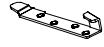


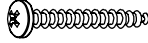
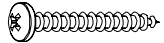
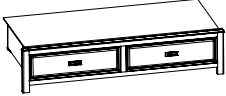
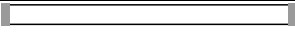


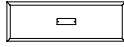
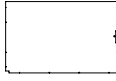


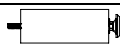
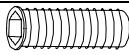





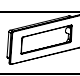


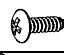

Please identify the parts and check that quantities received match those on this list.
If you need to replace a part, refer to the following letter and part name.

7140GDRC Headboard Kit (x1)

Part	Description	Quantity
A	Headboard Assembly 	1
B	Headboard Accent (attached) 	1
C	Left Bracket (attached) 	2
D	Right Bracket (attached) 	2
E	90° Steel Brace (attached) 	2
F	#6 x 3/4" Brass Flat Head Screw (inserted) 	14
G	#8 x 1" Black Screw (inserted) 	16
H	#8 x 1-3/16" Pan Head Screw (inserted) 	9
I	#8 x 1-1/4" Pan Head Screw (inserted) 	2





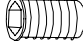
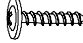
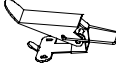

7137GDRC Northgate King Storage Bed
Parts list

7139GDRC Footboard Kit (x1)

Part	Description		Quantity
C	Left Bracket (attached)		2
D	Right Bracket (attached)		2
F	#6 x 3/4" Brass Flat Head Screw (inserted)		4
G	#8 x 1" Black Screw (inserted)		16
H	#8 x 1-3/16" Pan Head Screw (inserted)		9
I	#8 x 1-1/4" Pan Head Screw (inserted)		6
J	Footboard Assembly		1
K	Top Slat		3
L	Bottom Slat		2
M	Drawer Box (assembled)		2
N	Drawer Face (attached)		2
O	Bottom Deckboard		2
P	Top Deckboard		1
Q	Top Notched Deckboard		1
R	Small Assembled Foot		2
S	1/4" x 20mm Insert Nut (inserted)		6
T	Hanger Bolt (inserted)		2
U	Small Adjustable Glide (installed)		2
V	Large Foot Assembly		2
W	Foot Bracket (attached)		2
X	Large Adjustable Glide (installed)		2
Y	Pull (attached)		2
ZA	M4 x 25mm Machine Screw (installed)		4
ZB	Drawer Slides (pre-installed sets)		2
ZC	#6 x 1/2" Philtruss Screw		24 (20 inserted)
ZD	#6 x 3/4" Philtruss Screw (inserted)		20









7137GDRC Northgate King Storage Bed
Parts list

7139GDRC Footboard Kit (x1)

Part	Description		Quantity
ZE	1/4" x 1-1/2" Hex Bolt		4
ZF	Washer		4
ZG	90° Bracket		2
ZH	#6 x 5/8" Philtruss Screw		32 (8 inserted)
ZI	1/4" x 1/2" Insert Nut (inserted)		2
ZJ	#8 x 1" Lo-Profile Screw (inserted)		12
ZK	Lever Lock (attached)		2
ZL	Pad Strip (attached)		6

7137GDRC Northgate King Storage Bed
Parts list

7133GDRC Queen/King Bed Rail Kit (x1)

Part	Description		Quantity
C	Left Bracket (attached)		4
D	Right Bracket (attached)		4
F	#6 x 3/4" Brass Flat Head Screw (inserted)		4
G	#8 x 1" Black Screw (inserted)		32
ZM	Left Side Rail		1
ZN	Right Side Rail		1
ZO	Plate (attached)		2

7137GDRC Northgate King Storage Bed

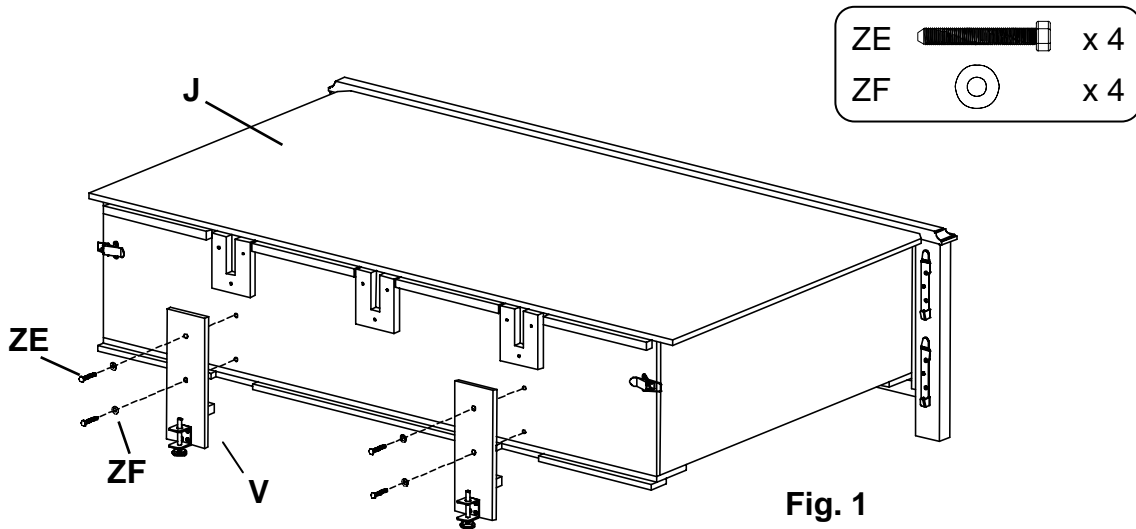
Assembly Instructions



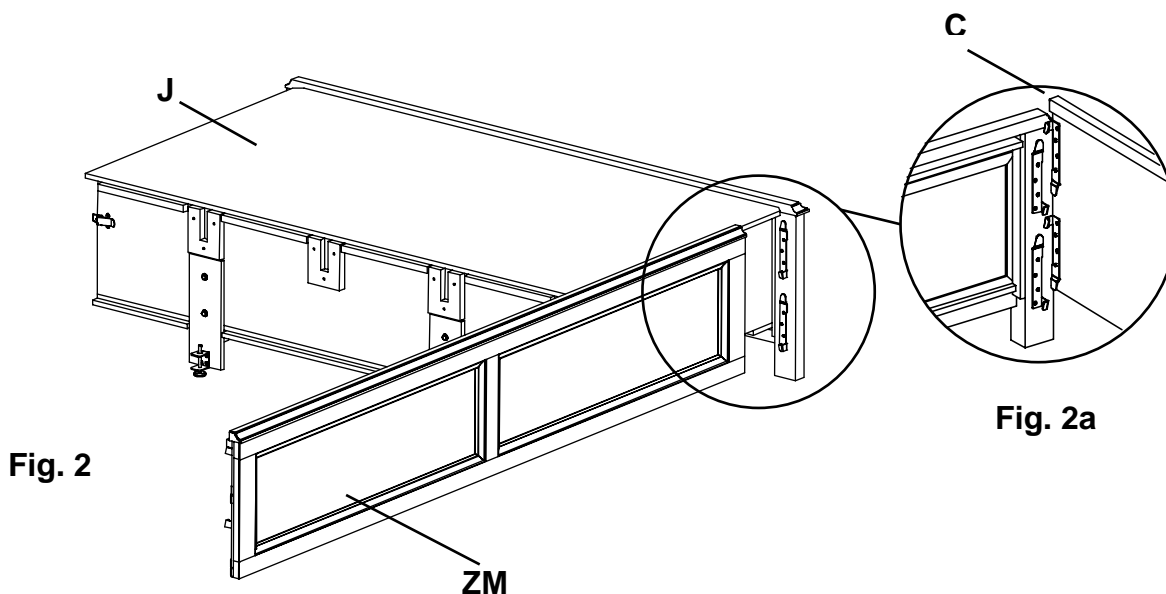
This assembly requires two people.

Tools Required: Phillips screwdriver, 7/16" open end or box end wrench.

1. Align the inserts in the Footboard Assembly (J) with predrilled holes in the Large Foot Assemblies (V). Attach as shown in Figure 1 with 1/4" x 1-1/2Hex" Bolts (ZE) and Washers (ZF).



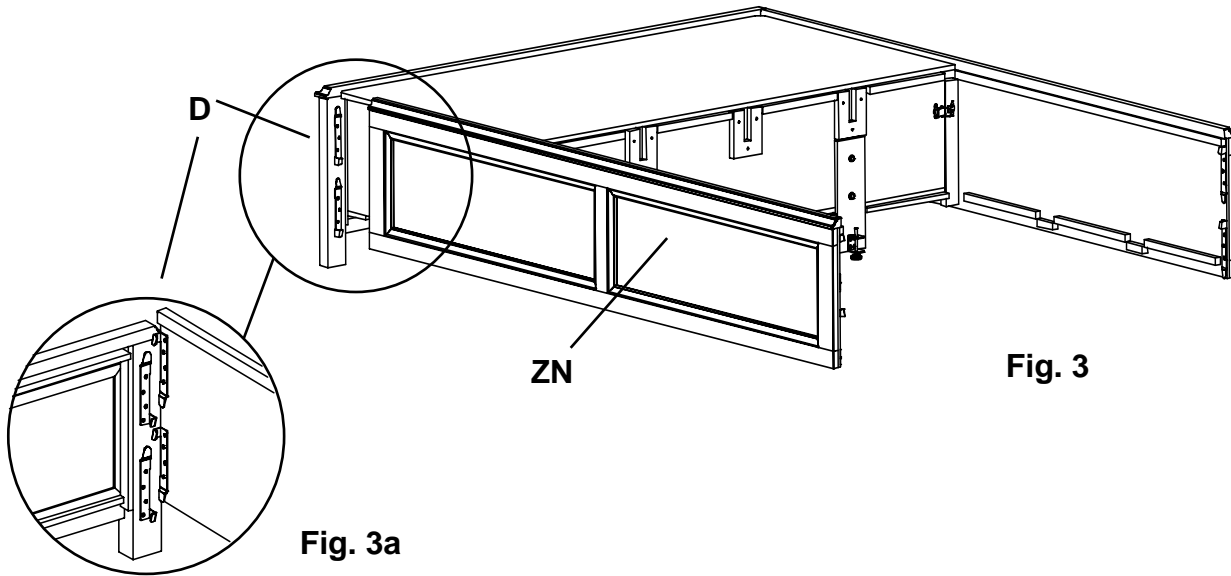
2. To attach the Footboard Assembly (J) to the Left Side Rail (ZM), align the Brackets (C) and slide the Left Side Rail down on to the Footboard Assembly (J). See Figures 2 and 2a.



7137GDRC Northgate King Storage Bed

Assembly Instructions

- Repeat step two for the Right Side Rail (ZN) and Brackets (D). See Figures 3 and 3a.



- Align the Brackets on both sides and slide the Rail/Footboard assembly down on to the Headboard (A). See Figure 4.

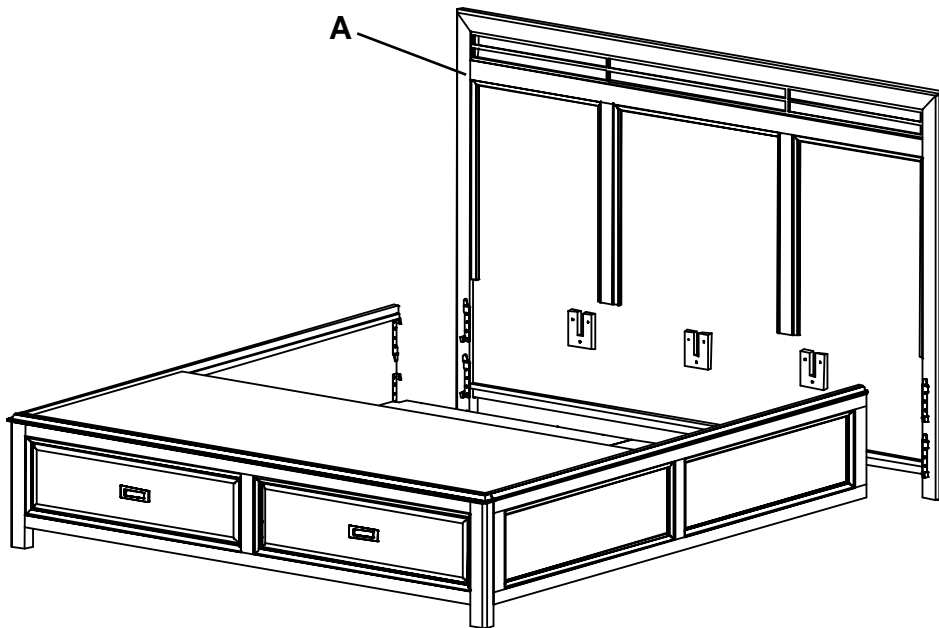
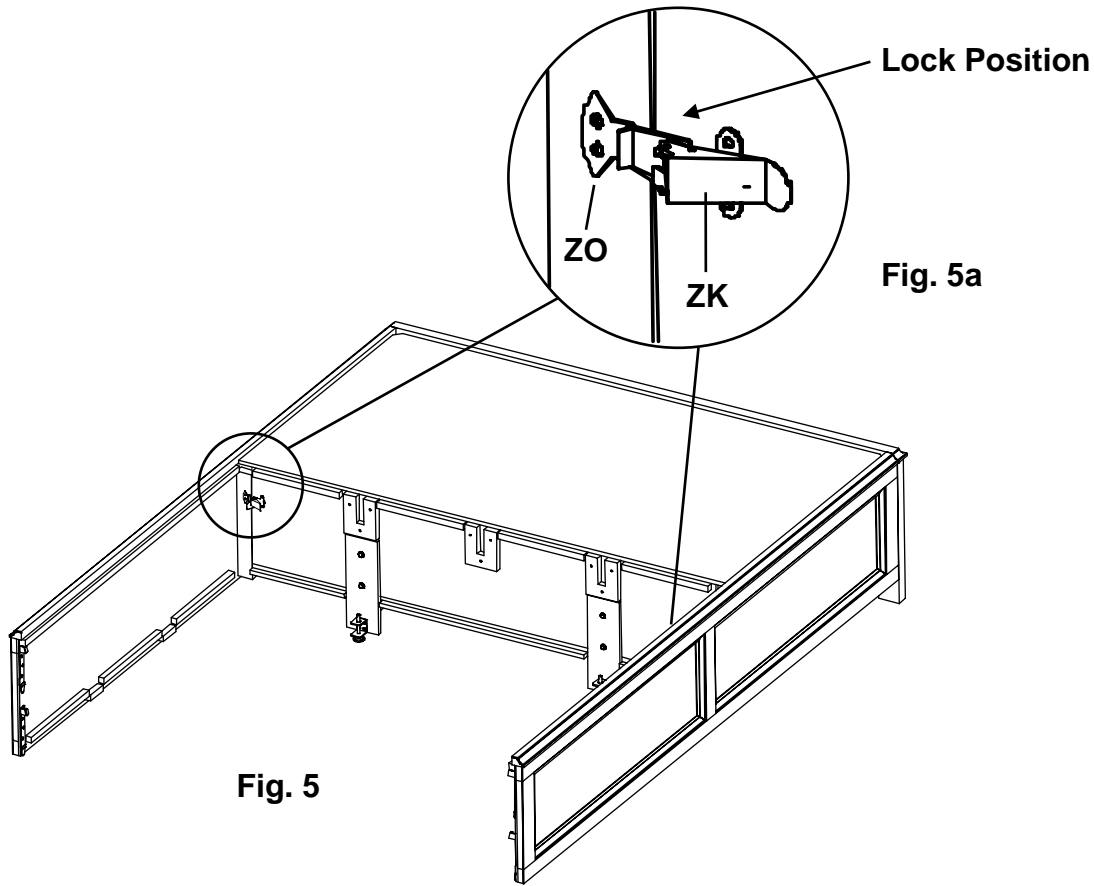


Fig. 4

7137GDRC Northgate King Storage Bed

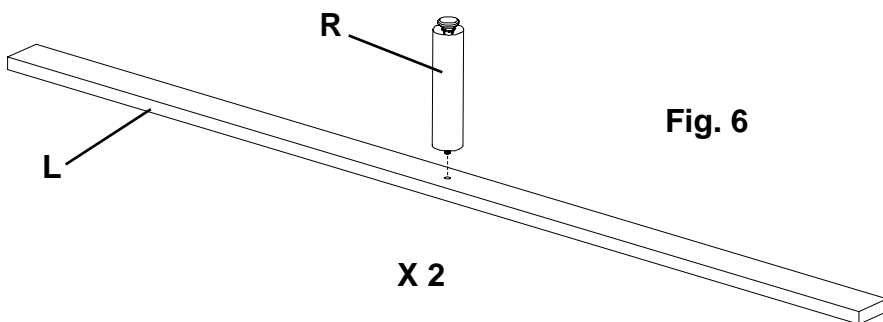
Assembly Instructions

5. Lock the Footboard Assembly (J) to the Side Rails by fitting the bales of the Lever Locks (ZK) over the Plates (ZO). See Figure 5 and 5a.



Headboard removed for illustration purposes.

6. Attach a Small Assembled Foot (R) to each of the two of the Bottom Slats (L) as shown in Figure 6.



7137GDRC Northgate King Storage Bed

Assembly Instructions



7. Place the bed at its final location.
8. Position the Bottom Slats (L) on the bottom notched edges of the rails. Adjust the glides on the bottoms of the Small Assembled Foot (R) so they bear weight. See Figure 8.

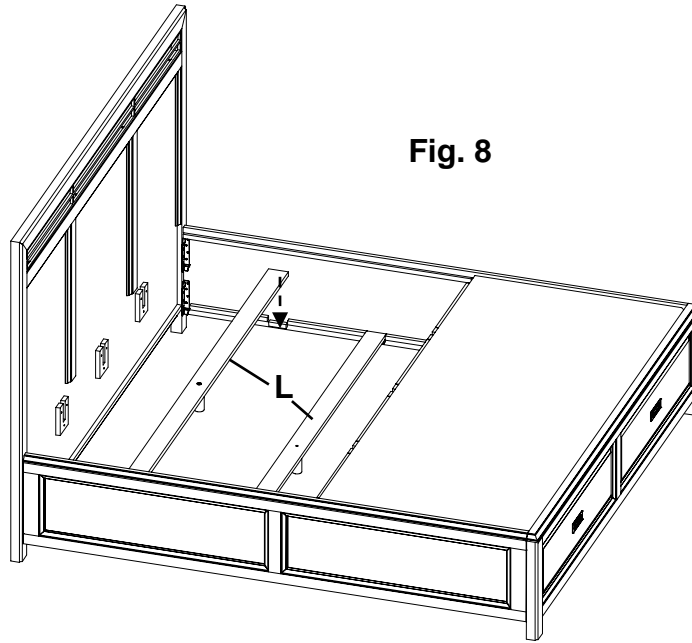


Fig. 8

9. The Bottom Deckboards (O) has a notch-cut on the corner to clear the brackets of the Headboard and a notch-cut centered at the end to clear the Large Foot Assemblies. Slide the notched corners of the Bottom Deckboards (O) over brackets at the headboard end of the assembly as shown in Figure 9. There should be a small gap between each deckboard. Secure with #6x5/8" Philtruss Screws (ZH).

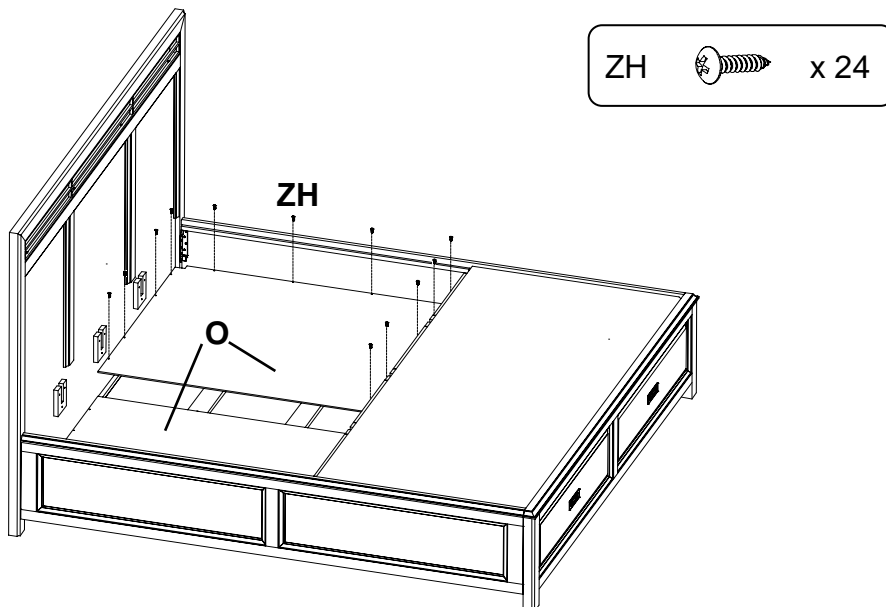
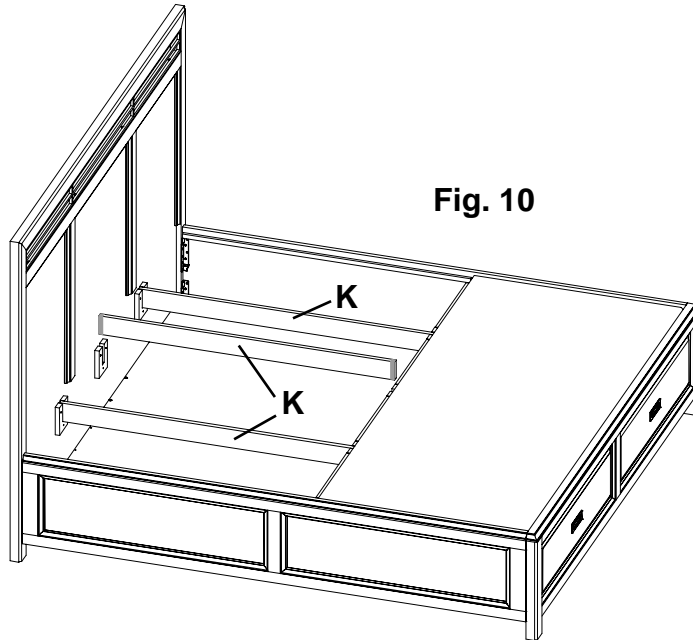


Fig. 9

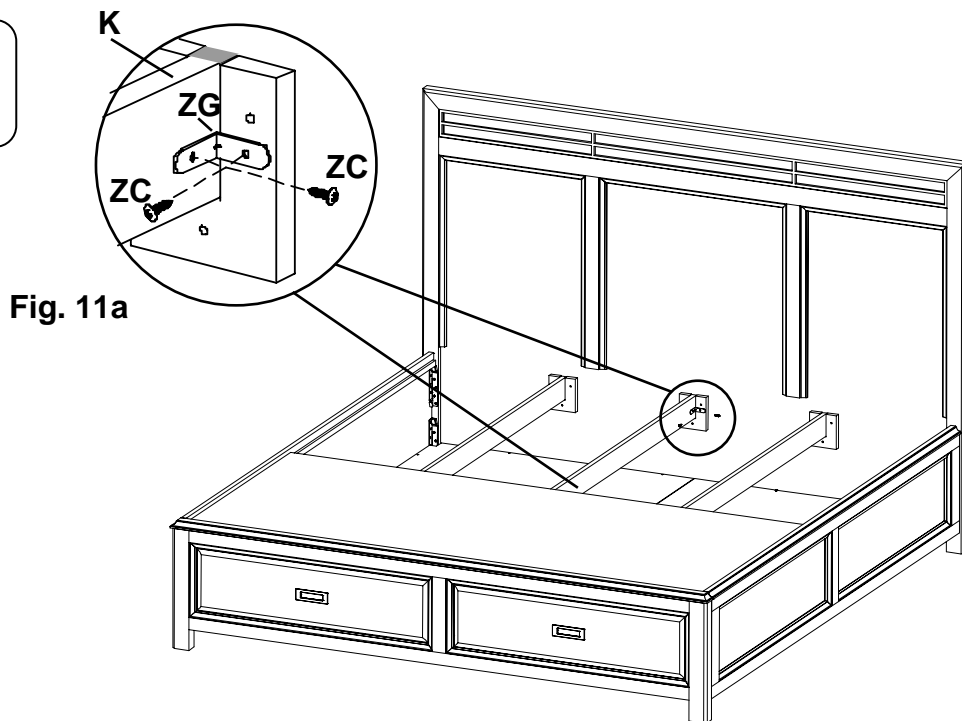
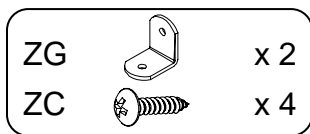
7137GDRC Northgate King Storage Bed

Assembly Instructions

10. Place the three Top Slats (K) into the slotted brackets of both the Headboard and Footboard as shown in Figure 10. Note that this open area can be used for storage.



11. Attach the center Top Slat (K) to the Headboard and Footboard bracket using a 90° bracket (ZG) and #6 x 1/2" Philtruss Screws (ZC) as shown in Figure 11 and 11a.



7137GDRC Northgate King Storage Bed

Assembly Instructions

- Place the Top Notched Deckboard (Q) with the notches facing the Headboard. Place the Top Deckboard (P) as shown in Figure 12. There are holes in these two deckboards for easy access to the open storage area below.

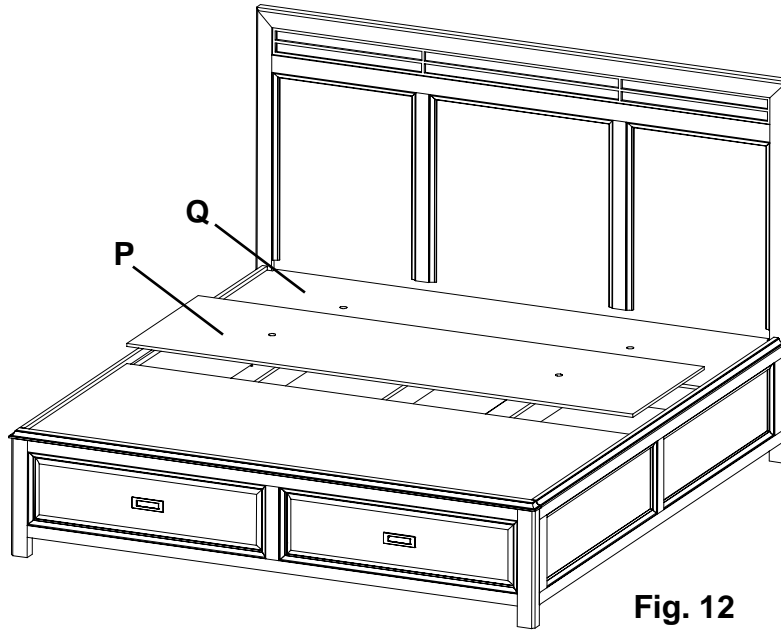


Fig. 12