

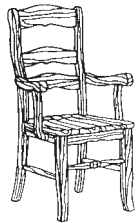
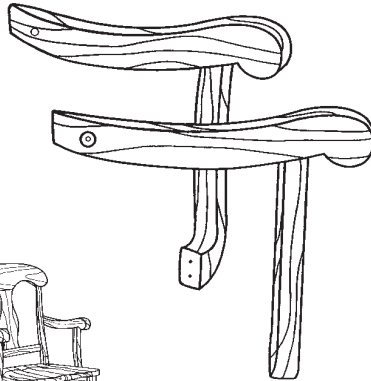
Model #

455KFGAC

(Glazed Antique Cherry Finish)

Wide Arm Kit 2pk

Assembly Instructions



2702AFGAC



2704AFGAC



2706AFGAC



2707AFGAC



2708AFGAC

Shown with selected chairs.
Chairs sold separately.

Congratulations!

This fine piece of furniture will make a handsome addition to your home. For the best results, start by reading the Assembly Instructions **before** you begin your project.

For normal household use only.
NOT recommended for commercial use.

DESIGN SUBJECT TO CHANGE WITHOUT NOTICE.



P.O. Box 2827
Eugene, OR 97402 USA



CALL US FIRST!

DO NOT RETURN ITEM TO STORE

Service Policy: We will replace any parts which are defective, missing or damaged during assembly. Please contact Whittier Wood Products customer service department directly (by phone, fax, mail or email) for replacement parts.

Hours: Our friendly customer service staff can be reached Monday-Friday 7:00 a.m. to 5:00 p.m. (Pacific Time). A message can be left 24 hours a day, 7 days a week.

To Order: Provide the complete furniture model number, part letter, production code, quantity needed, reason for replacement and your full name and address along with a telephone number in case we need to contact you.

Parts ship from our Eugene, Oregon factory within 1 or 2 business days from the time we receive the request. Please allow 5-10 business days for delivery.

800-653-3336

Outside U.S. or Canada: 541-687-0213

Fax: 541-687-2060 • www.whittierwood.com

Mail: P.O. Box 2827 • Eugene, Oregon 97402, U.S.A.

IMPORTANT NOTES:

- Read the Assembly Instructions completely before you begin your project.
- Store the parts: 1) in their box; 2) in a dry place; 3) in temperatures ranging from 40° to 90°. (Not on a cold, possibly damp, cement floor.)
- Inspect your furniture periodically for any loose glue joints or screws, or any other problem which may be affecting the stability of your furniture. Tighten or repair as needed.

Production Code:

VN

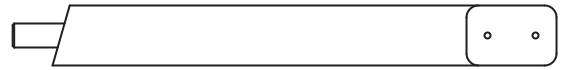
11/08

455KFGAC Wide Arm Kit 2pk — Parts List

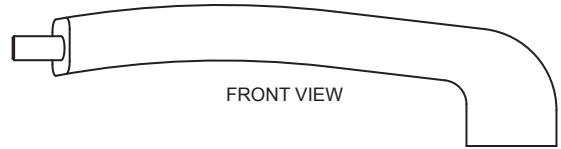
Before beginning assembly, identify the parts and check that quantities received match those on this list. If you need to replace a part, refer to the following letter and name.



A — Left Arm — Qty. 2



SIDE VIEW



FRONT VIEW

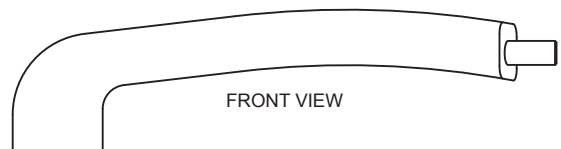
Ca — Left Arm Post — Qty. 2



B — Right Arm — Qty. 2



SIDE VIEW



FRONT VIEW

Da — Right Arm Post — Qty. 2



F — #8 x 1 3/4" Pan Head Screw — Qty. 12



G — 1/2" Wooden Button — Qty. 4

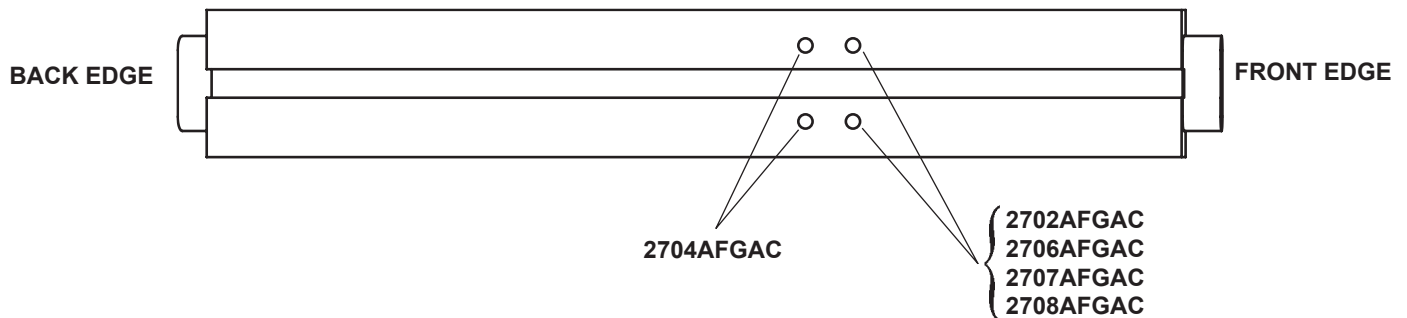


H — Metal Washer — Qty. 8

ASSEMBLY INSTRUCTIONS

TOOLS REQUIRED:

Phillips Screwdriver, Wood Glue, Rubber Mallet or Padded Hammer, Tape Measure

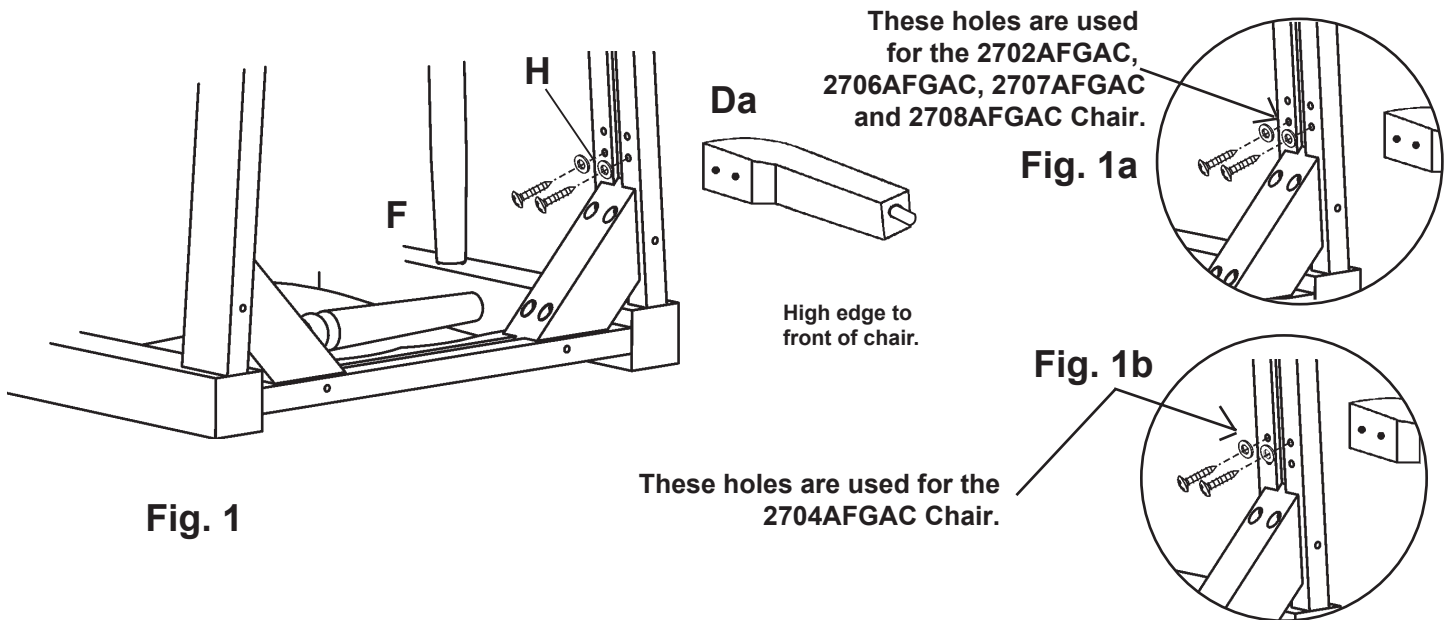


NOTE:

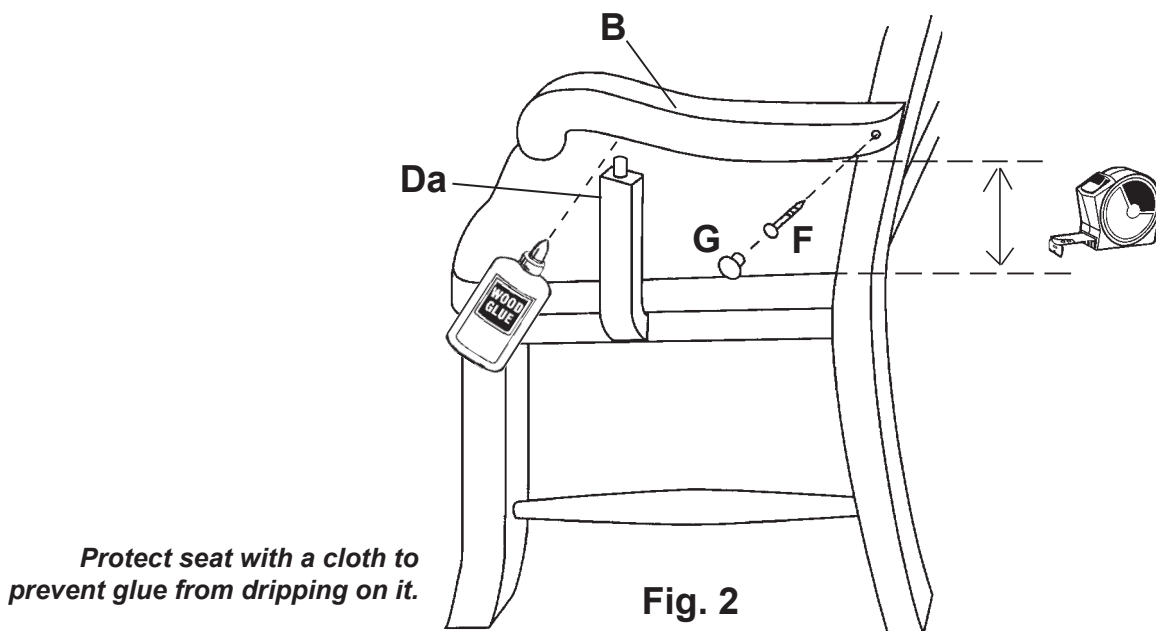
In each side apron of the chair frame there are two pairs of holes for attaching the arm posts.

The two holes toward the front edge of the apron are to be used for the 2702AFGAC Bordeaux Chair, 2706AFGAC Modern Mission Chair, 2707AFGAC Avignon Chair and 2708AFGAC Wessex Chair.

The holes toward the back edge of the apron are to be used on the 2704AFGAC Chateau Chair.



- 1) Turn your chair over on to its side and on a clean, protected surface. Start both #8 x 1³/₄" Pan Head Screws (F) with a Metal Washer (H) through the appropriate predrilled holes on the inside of the right apron until the screw tips just begin to come through. Hold the Right Arm Post (Da) so that the screws enter the predrilled holes in the edge of the arm post and the top edge is flush with the top edge of the side apron. Finish inserting the #8 x 1³/₄" Pan Head Screws (F) until the arm post is fastened securely against the apron. Do not overtighten and strip the wood. See Figures 1, 1a, and 1b. Repeat steps to attach the Left Arm Post (Ca).



- 2) Spread a thin coat of glue in the hole in the bottom of the Right Arm (B) and attach to Right Arm Post (Da). Gently tap with a padded hammer and quickly wipe away any excess glue with a damp rag. Place the Right Arm against the back leg assembly and fasten the arm to the back leg with a #8 x 1³/₄" Pan Head Screw (F). Ensure that the arm does not extend beyond the back edge of the back leg. Repeat the above steps with the Left Arm (A) and Left Arm Post (Ca). Before attaching the Left Arm to the back leg, measure the distance between the top of the seat and the bottom of the Right Arm and make sure that both arms are attached at the same height above the seat. See Figure 2. Glue a Button (G) in the exposed screw holes on both sides. See Figure 2.