

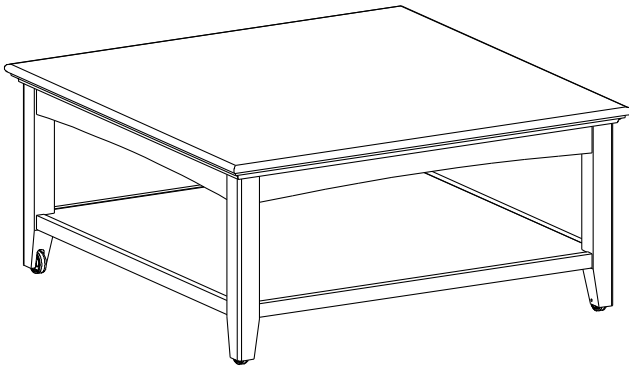
Model #

3507AFGACb; 3507AFCAFb McKenzie Square Cocktail Table

AFGAC = Glazed Antique Cherry finish

AFCAF = Caffè finish

Assembly Instructions



Congratulations!

This fine piece of furniture will make a gorgeous addition to your home. For the best results, read the Assembly Instructions before you begin your project.

IMPORTANT NOTES:

- For normal household use only. *Not* recommended for commercial use.
- Do not climb, sit or stand on this piece of furniture.
- Unload items before you move this unit.
- Do not overload the shelf.
- Before you load or move this unit, tighten all screws and supports.
- Before you begin your project, completely read the Assembly Instructions.
- Store this item: 1- in its box; 2- in a dry place; 3- in temperatures that range from 40°F to 90°F (not on a cold and possibly damp cement floor).
- Periodically inspect your furniture for any loose glue joints, screws or any other problem that might affect the stability of your furniture. Tighten or repair as needed.
- This assembly requires two people.

⚠ WARNING

Notice to California Customers

California Prop 65 requires consumer goods to be labeled if any one of 850+ different chemicals or substances, including wood dust, is present even in trace amounts. Drilling, sawing, sanding or machining wood products generates wood dust, a substance known to the State of California to cause cancer. **Warning:** This product contains a chemical or substance known to the State of California to cause cancer, birth defects or other reproductive harm. *California Health and Safety Code Section 25249.6*

DESIGN SUBJECT TO CHANGE WITHOUT NOTICE.

☎ CALL US FIRST! Do not return this item to the store

Service Policy: We will replace any part that is defective, missing or damaged during assembly. For a replacement part, directly contact Whittier Wood Products customer service department by phone, fax, mail or email.

To Order: Provide the finish and furniture model number (upper portion of this page), the part letter, production code, quantity needed, reason for replacement and your full name, address and telephone number.

Hours: Our friendly customer service staff can be reached Monday-Friday 7:00 a.m. to 5:00 p.m. (Pacific Time). You may leave a message 24 hours a day, seven days a week.

Parts ship from our Eugene, Oregon factory within one or two business days from the time we receive your request. Please allow five to ten business days for delivery.

800-653-3336 • Outside the U.S. or Canada: 541-687-0213 • Fax: 541-687-2060
www.whittierwood.com • P.O. Box 2827 • Eugene, Oregon 97402, U.S.A.



P.O. Box 2827
Eugene, OR 97402 USA

Production Code:

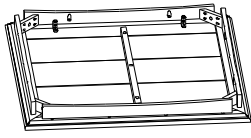
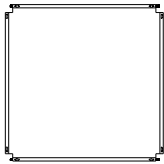
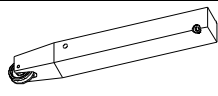
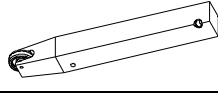
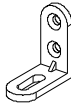
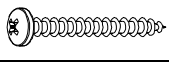



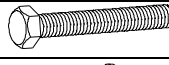



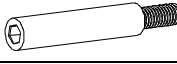
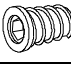
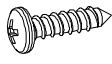
VN

08/14

3507AFGACb; 3507AFCAFb McKenzie Square Cocktail Table

Parts List

Please identify the parts and check that quantities received match those on this list.
If you need to replace a part, refer to the following letter and part name.

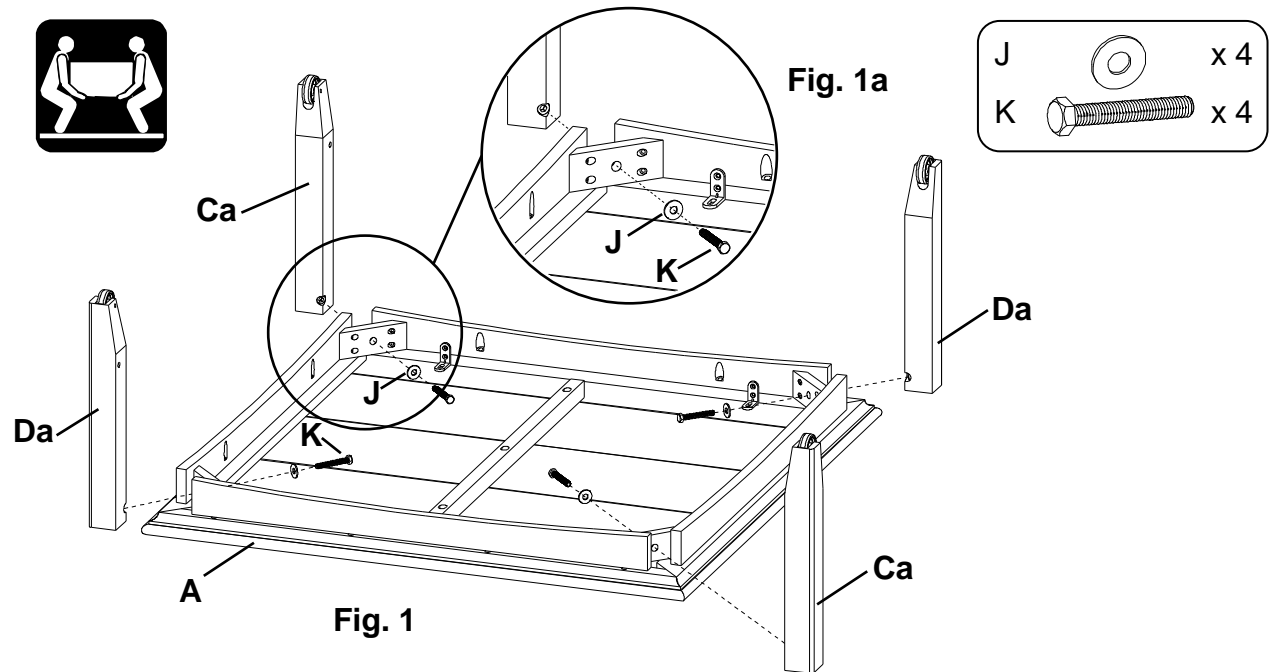
Part	Description		Quantity
A	Top Assembly (attached)		1
B	Shelf Assembly		1
Ca	Left Front/Right Back Leg		2
Da	Right Front/Left Back Leg		2
E	Adjustable Angle Bracket (attached)		4
G	#8 x 1-1/4" Pan Head Screw (inserted)		46 (38 inserted)
H	#8 x 1-3/8" Lo-Profile Screw (inserted)		3
I	#8 Washer (inserted)		14
J	5/16" Flat Washer		4
K	3/8" x 2-1/2" Hex Bolt		4
L	Insert Nut (inserted)		4
M	Wood Dowel (inserted)		4
N	PVC Wheel (installed)		4
O	Axle Pin (inserted)		4
P	4 x 10mm Insert Nut (inserted)		4
Q	#10 x 3/4" Pan Head Screw (inserted)		8

3507AFGACb; 3507AFCAFb McKenzie Square Cocktail Table

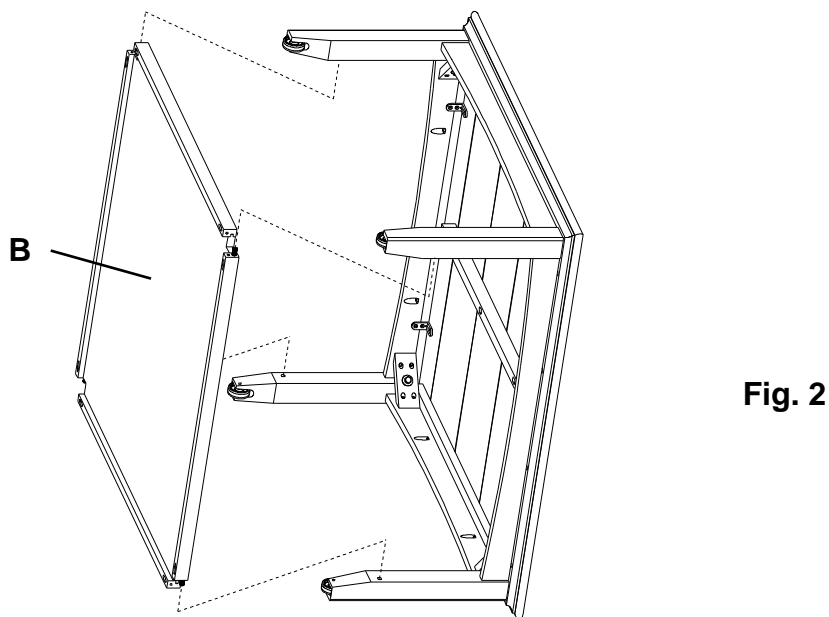
Assembly Instructions

Tools Required: Phillips Screwdriver, 9/16" or Adjustable Wrench, Rubber Mallet or Padded Hammer

1. Turn the Top Assembly (A) upside-down on a clean, protected surface. Place a Left Front/Right Back Leg (Ca) and the Right Front/Left Back Leg (Da) at one side of the Top, making sure the drilled corners of the legs face toward the Corner Blocks. It is important the side of the leg exposing the wheel face each other. LOOSELY attach with 5/16" Flat Washers (J) and 3/8" x 2-1/2" Hex Bolts (K) (the legs should be wobbly). Repeat for the other two legs on the opposite side. See Figures 1 and 1a.



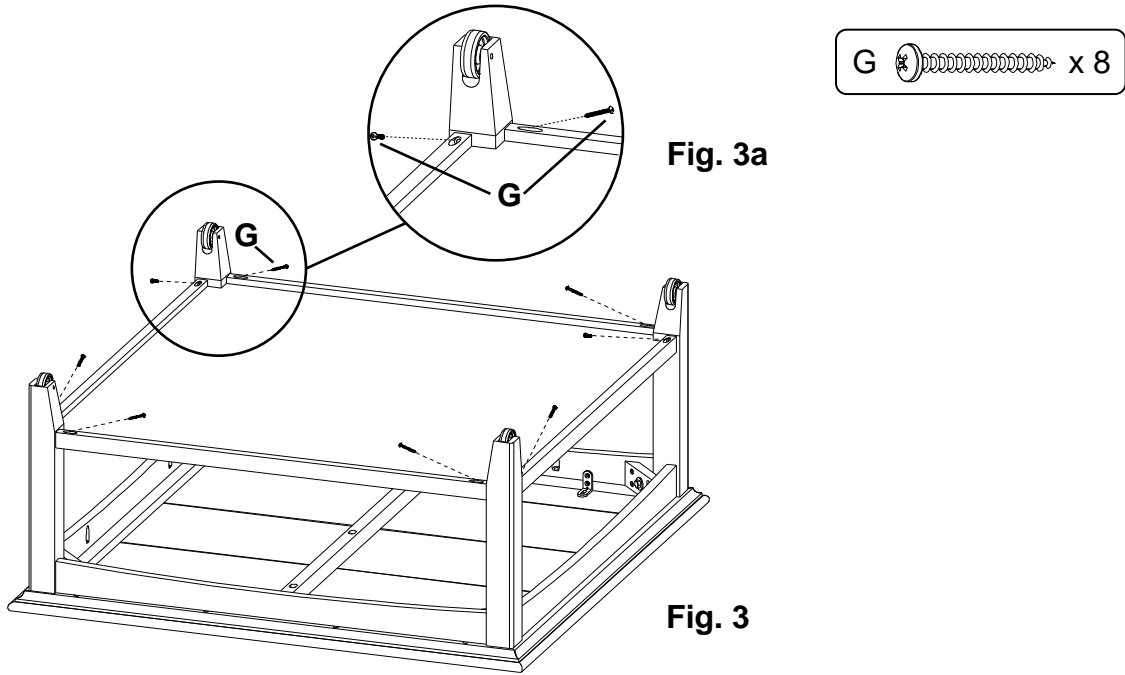
2. Turn the Top/Leg Assembly on its side and with the bottom side of the Shelf Assembly (B) facing down and place the dowels into the dowel holes in the Legs. Tighten the Hex Bolts on the Legs. See Figure 2.



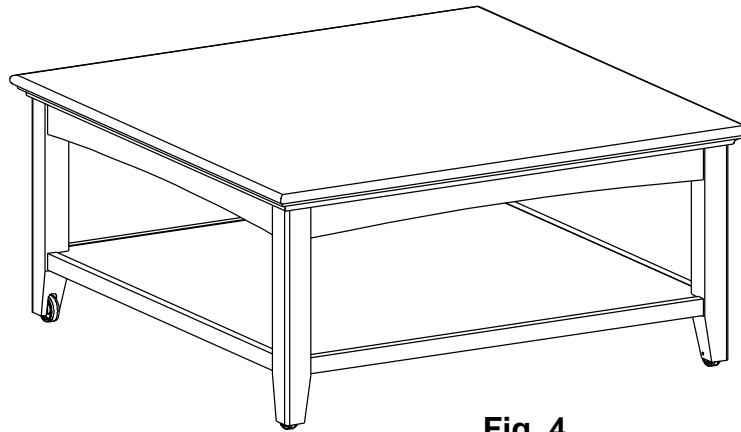
3507AFGACb; 3507AFCAFb McKenzie Square Cocktail Table

Assembly Instructions

3. Using the pocket holes as guides, secure the Shelf Assembly (B) to the Legs (Ca and Da) with eight #8 x 1-1/4" Pan Head Screws (G). See Figures 3 and 3a.



4. Turn the table upright. See Figure 4.



3507AFGACb; 3507AFCAFb McKenzie Square Cocktail Table

Assembly Instructions

5. The wheels allow the table to easily move away or toward your seating.

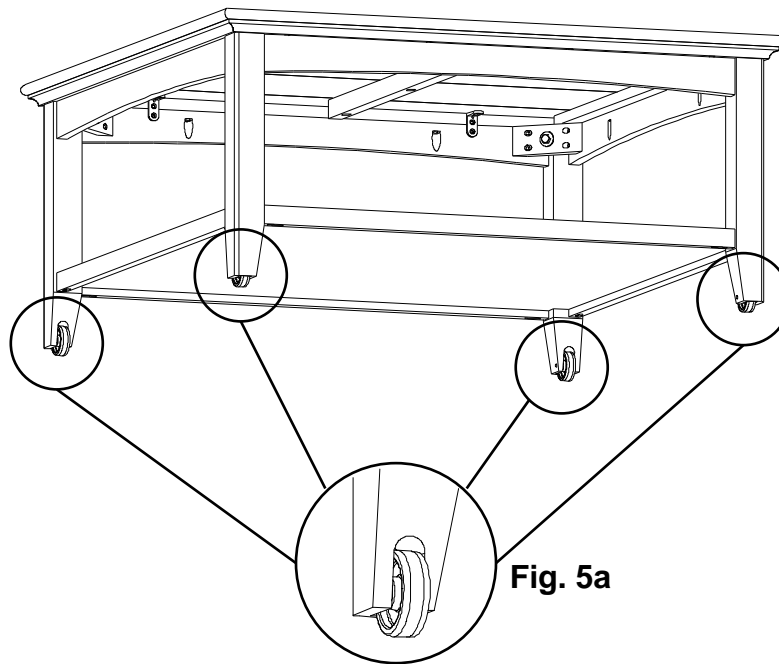


Fig. 5

Fig. 5a