

# McKenzie Mantel Storage Beds for Adjustable Bed Bases

GAC = Glazed Antique Cherry finish

CAF = Caffè finish

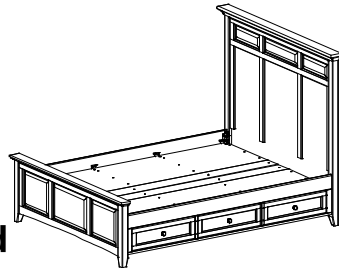
*Assembly Instructions*

Model #

**2322GACd**

**2322CAFd**

**McKenzie Queen  
Mantel Storage Bed  
for Adjustable Bed  
Bases**

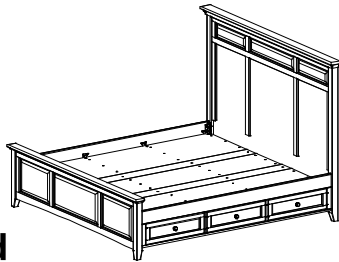


Model #

**2325GACd**

**2325CAFd**

**McKenzie King  
Mantel Storage Bed  
for Adjustable Bed  
Bases**



*Thank you for allowing us to help you furnish your home. We are certain you will be delighted with your new furniture for many years to come.*

## COMPATIBILITY NOTICE:

This bed is designed to accommodate zero clearance adjustable bed foundations. To be compatible, the foundation must be able to sit on a floor or deck without leg or foot supports and must be powered by a DC motor. Be sure to consult a mattress expert for more information.

## IMPORTANT NOTES:

- For normal household use only. *Not* recommended for commercial use.
- Remove items before you move this unit.
- Do not overload the drawers.
- This assembly requires two people.

## WARNING

Drilling, sawing, sanding or machining wood products can expose you to wood dust, a substance known to the state of California to cause cancer. Avoid inhaling wood dust or use a dust mask or other safeguards for personal protection.

For more information go to: [www.p65warnings.ca.gov/wood](http://www.p65warnings.ca.gov/wood)

This product can expose you to chemicals, including formaldehyde, which are known to the State of California to cause cancer. For more information go to: [www.p65warnings.ca.gov/furniture](http://www.p65warnings.ca.gov/furniture)

**DESIGN SUBJECT TO CHANGE WITHOUT NOTICE.**

## CUSTOMER SERVICE

If you ever have questions about your furniture, please do not hesitate to contact us. In the unlikely event you need a replacement part; we can make those parts available through an authorized Whittier Wood Furniture dealer. If you cannot order replacement parts through your dealer, please contact our customer service department.

**Hours:** Our friendly customer service staff can be reached:

**Monday-Friday 8:00 a.m. to 5:00 p.m. (Pacific Time).**

You may leave a message 24 hours a day, seven days a week.

**Customer Service: 800-653-3336 • Outside the U.S.: 541-687-0213**

**Fax: 541-687-2060 • Email: [info@whittierwood.com](mailto:info@whittierwood.com)**

**Whittier  
Wood**  
FURNITURE

P.O. Box 2827  
Eugene, OR 97402 USA

Production Code:

VN

05/17

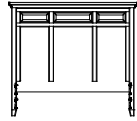

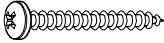
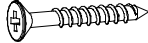



**2322GACd 2322CAFd**  
**McKenzie Queen Mantel Storage Bed for Adjustable Bed Bases**  
**& 2325GACd 2325CAFd**  
**McKenzie King Mantel Storage Bed for Adjustable Bed Bases**  
*Parts List*

---

Please note this Assembly Instruction is for either the McKenzie Queen Mantel Storage Bed for Adjustable Bed Bases (2322) or the McKenzie King Mantel Storage Bed for Adjustable Bed Bases (2325).  
 The Parts list for each headboard follows on pages 2 and 3.

Please identify the parts and check that quantities received match those on this list.  
 If you need to replace a part, refer to the following letter and part name.

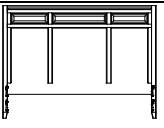
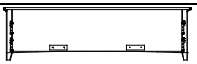
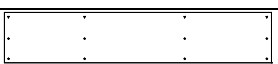

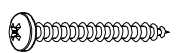
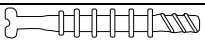

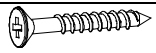


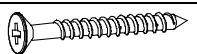
**2317GAC 2317CAF**  
**Queen Mantel Headboard/Footboard Kit (x1)**

Part	Description	Quantity
A	Headboard Assembly 	1
B	Footboard Assembly 	1
YI	#8x 1-1/4" Pan Head Screw (inserted) 	8
ZP	#8 x 1" Black Screw (inserted) 	32
ZQ	Left Bed Bracket (attached) 	4
ZR	Right Bed Bracket (attached) 	4
ZX	#8 x 1-5/8" Black Screw (inserted) 	4

**2322GACd 2322CAFd**  
**McKenzie Queen Mantel Storage Bed for Adjustable Bed Bases**  
**& 2325GACd 2325CAFd**  
**McKenzie King Mantel Storage Bed for Adjustable Bed Bases**  
*Parts List*

---


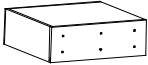
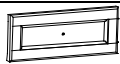
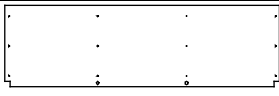













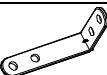
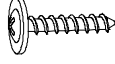

**2320GACa 2320CAFa**  
**King Mantel Headboard/Footboard Kit (x1)**

Part	Description	Quantity
Aa	Headboard Assembly 	1
B	Footboard Assembly 	1
Rb	Center Deckboard 	1
YH	Top Assembly 	1
YI	#8 x 1-1/4" Pan Head Screw 	6 (4 inserted)
YJ	Cam Connector (inserted) 	2
YK	Cam Housing 	2
ZP	#8 x 1" Black Screw (inserted) 	32
ZQ	Left Bed Bracket (attached) 	4
ZR	Right Bed Bracket (attached) 	4
ZX	#8 x 1-5/8" Black Screw (inserted) 	4

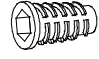
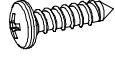
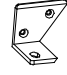
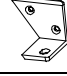
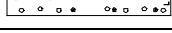
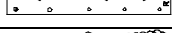
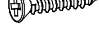
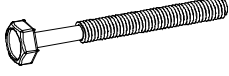






**2322GACd 2322CAFd**  
**McKenzie Queen Mantel Storage Bed for Adjustable Bed Bases**  
**& 2325GACd 2325CAFd**  
**McKenzie King Mantel Storage Bed for Adjustable Bed Bases**  
*Parts List*

---

**2323GACd 2323CAFd**  
**Adjustable Bed Pedestal Kit (x2)**

Part	Description	Quantity
E	Pedestal 	1
F	Drawer Box (assembled) 	3
G	Drawer Face (attached) 	3
H	Notched Deckboard (attached) 	1
I	Left/Right Center Deckboard 	1
J	Queen Trestle (11-9/16") 	2
K	King Trestle (27-9/16") 	2
L	Assembled Foot 	3
M	Foot Bracket (attached) 	3
N	Adjustable Glide (installed) 	3
P	Knob (attached) 	3
Qb	#8 x 1-1/2" Machine Screw Tuscan (installed) 	3
R	20" Drawer Slides (installed) 	3 sets
S	#6 x 1/2" Philtruss Screw (inserted) 	22 (18 inserted)
T	#6 x 3/4" Philtruss Screw (inserted) 	18
U	1/4" x 1-3/4" Hex Bolt 	6
V	1/4" Flat Washer 	10 (4 inserted)
W	90° Bracket 	1
Xb	#8 x 7/8" Black Lo-Profile Screw (inserted) 	18
Y	#8 x 1-1/4" Black Screw 	58 (48 inserted)

**2322GACd 2322CAFd**  
**McKenzie Queen Mantel Storage Bed for Adjustable Bed Bases**  
**& 2325GACd 2325CAFd**  
**McKenzie King Mantel Storage Bed for Adjustable Bed Bases**  
*Parts List*

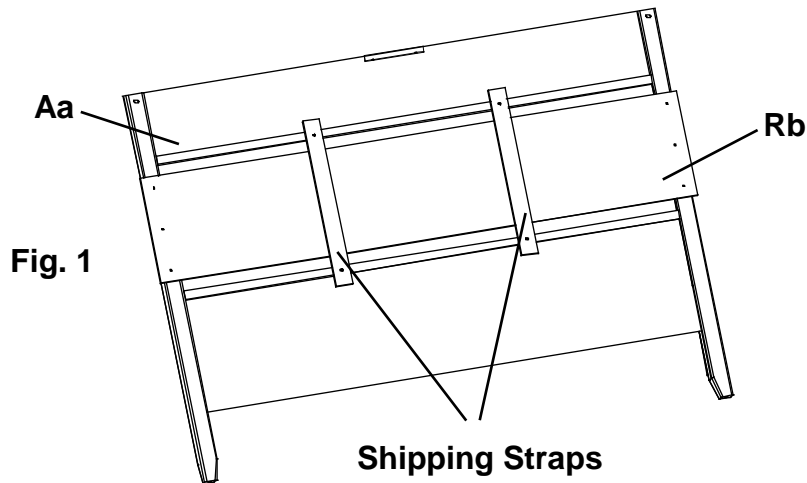
<b>Part</b>	<b>Description</b>		<b>Quantity</b>
YL	1/4" x 20mm Insert Nut (inserted)		8
YM	#10 x 3/4" Pan Head Screw (inserted)		12
ZA	Left Pedestal Angle Bracket (inserted)		2
ZB	Right Pedestal Angle Bracket (inserted)		2
ZC	Left Pedestal Bracket (inserted)		1
ZD	Right Pedestal Bracket (inserted)		1
ZE	#6 x 3/4" Flat Head Screw (inserted)		8
ZF	1/4" x 2-1/2" Hex Bolt (inserted)		4
ZG	Arched Washer (inserted)		4
ZH	1/4" Lock Washer (inserted)		4
ZI	1/4" Hex Nut (inserted)		4
ZP	#8 x 1" Black Screw (inserted)		26
ZQ	Left Bed Bracket (attached)		2
ZR	Right Bed Bracket (attached)		2

**2322GACd 2322CAFd**  
**McKenzie Queen Mantel Storage Bed for Adjustable Bed Bases**  
**& 2325GACd 2325CAFd**  
**McKenzie King Mantel Storage Bed for Adjustable Bed Bases**  
*Assembly Instructions*  
 This assembly requires two people.

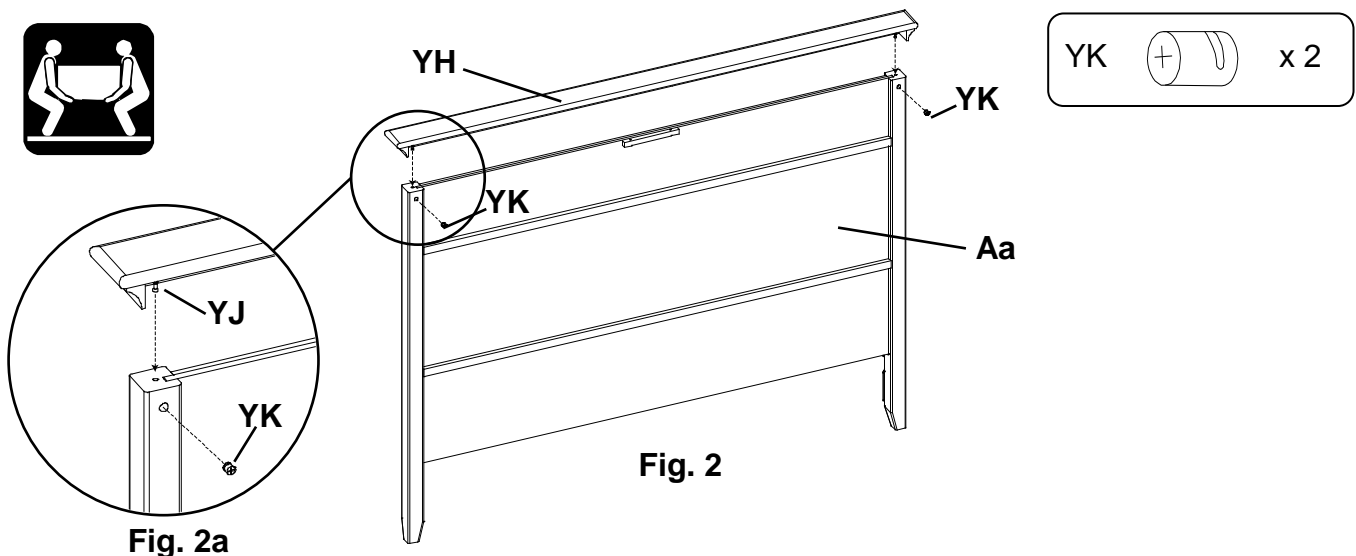
**Tools Required:** Phillips screwdriver, 7/16" open end or box end wrench and Tape measure

**Steps 1, 2 & 3 are for the McKenzie King Mantel Storage Bed for Adjustable Bed Bases (#2325)**

1. Remove the Center Deckboard (Rb) from the back of the Headboard (Aa) and place to the side. See Figure 1.



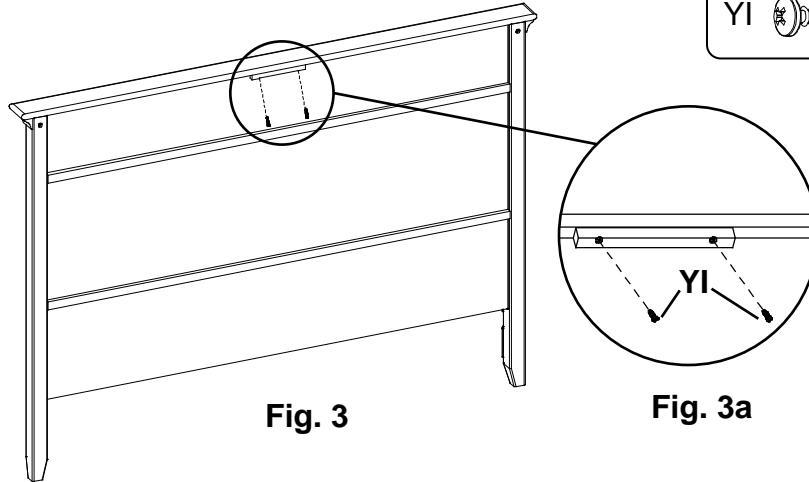
2. **NOTE: READ CAM INSTRUCTIONS NOW BEFORE YOU BEGIN THE FOLLOWING STEP.** Insert Cam Housings (YK) into the two pre-drilled holes on the Headboard Assembly (Aa) as shown in Figure 2. Lower Top Assembly (YH) so that the Cam Connectors (YJ) fit into the housings (YK) tighten the cam housings as indicated in the Cam-lock System instructions. See Figures 2 and 2a.



**2322GACd 2322CAFd**  
**McKenzie Queen Mantel Storage Bed for Adjustable Bed Bases**  
**& 2325GACd 2325CAFd**  
**McKenzie King Mantel Storage Bed for Adjustable Bed Bases**  
*Assembly Instructions*

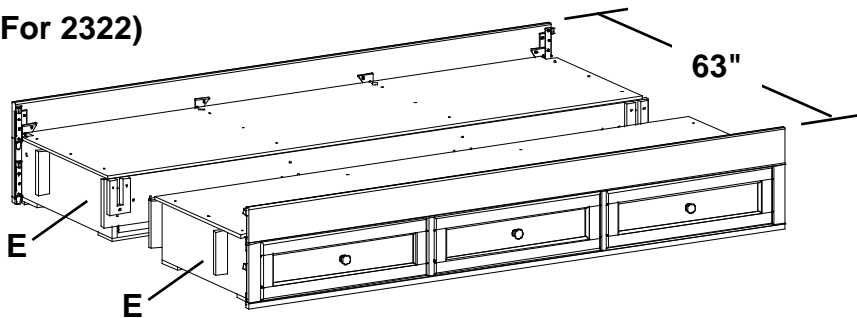
This assembly requires two people.

3. Attach the Top Assembly (YH) to the Headboard Assembly (Aa) by inserting two #8x1-1/4" Pan Head Screws (YI) into the predrilled holes in the block that is attached to the Headboard Assembly (Aa). See Figures 3 and 3a.



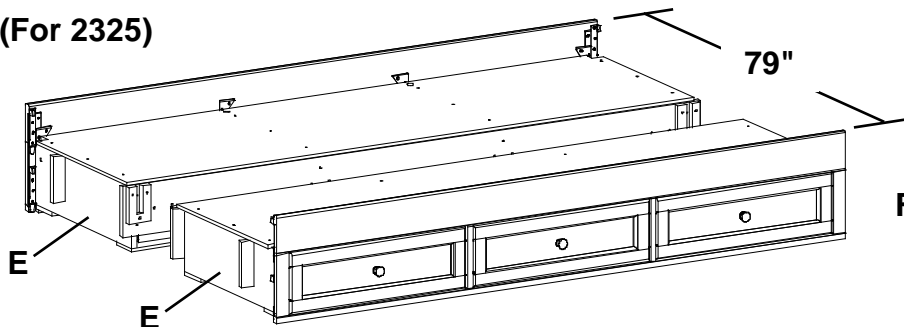
4. Place both Pedestals (E) approximately 63" apart for #2322 Queen Bed, or 79" apart for #2325 King Bed as shown in Figures 4 and 4a.

**(For 2322)**



**Fig. 4**

**(For 2325)**



**Fig. 4a**

**2322GACd 2322CAFd**  
**McKenzie Queen Mantel Storage Bed for Adjustable Bed Bases**  
**& 2325GACd 2325CAFd**  
**McKenzie King Mantel Storage Bed for Adjustable Bed Bases**  
*Assembly Instructions*  
This assembly requires two people.

---

5. To attach the Footboard (B) to the Pedestal (E), align the Brackets and slide the Pedestal down on to the Footboard (B). See Figures 5 and 5a.

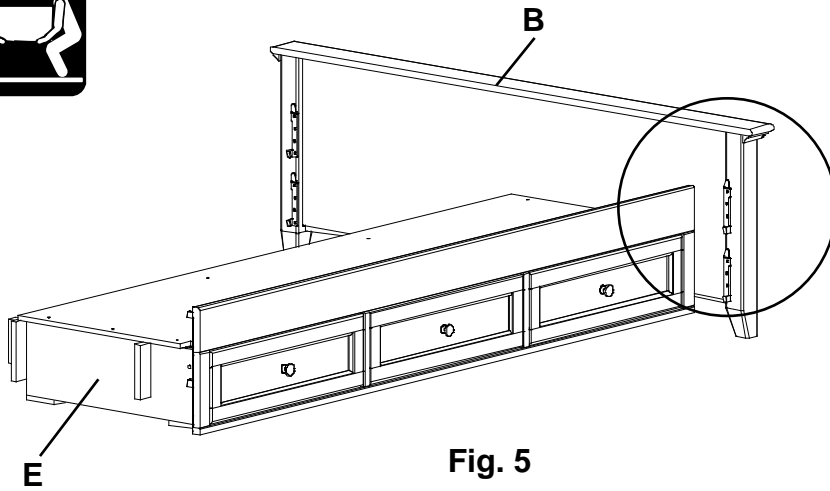


Fig. 5

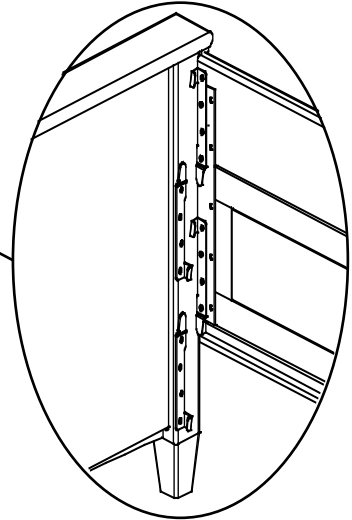


Fig. 5a

6. Repeat step five for the left side. See Figures 6 and 6a.

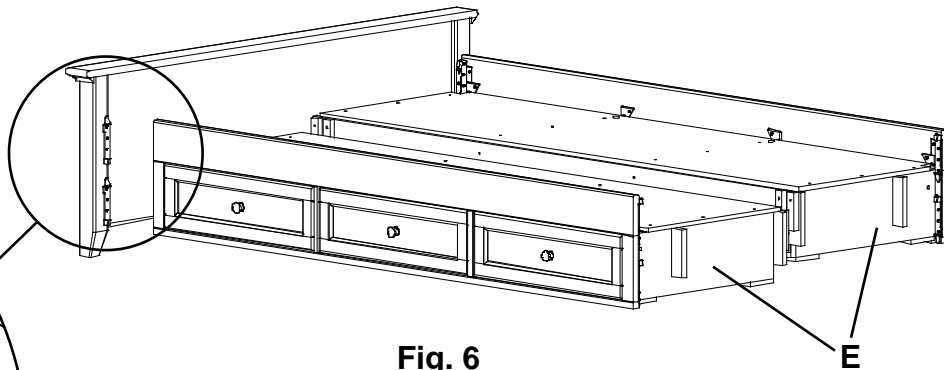


Fig. 6

E

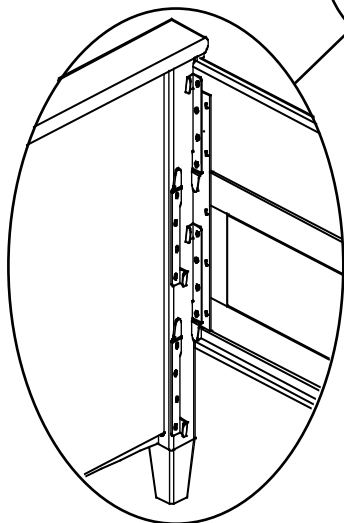


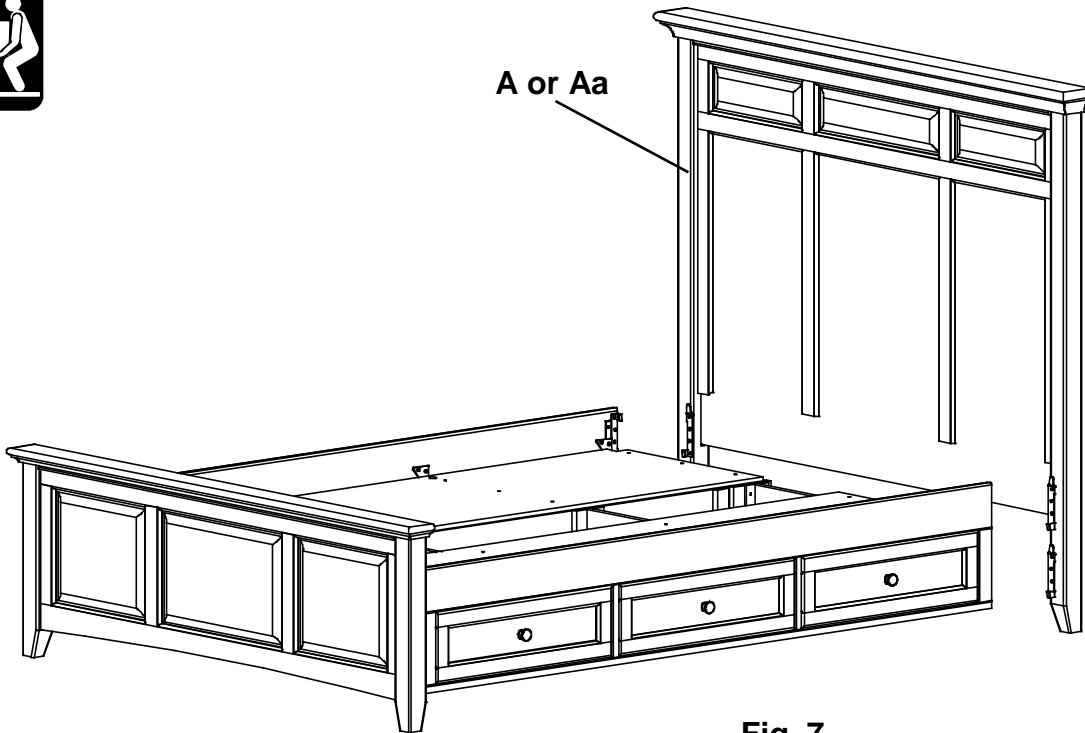
Fig. 6a



**2322GACd 2322CAFd**  
**McKenzie Queen Mantel Storage Bed for Adjustable Bed Bases**  
**& 2325GACd 2325CAFd**  
**McKenzie King Mantel Storage Bed for Adjustable Bed Bases**  
*Assembly Instructions*  
This assembly requires two people.

---

7. Align the Brackets on both sides and slide the Pedestal/Footboard assembly down on to the Headboard (A or Aa). See Figure 7.



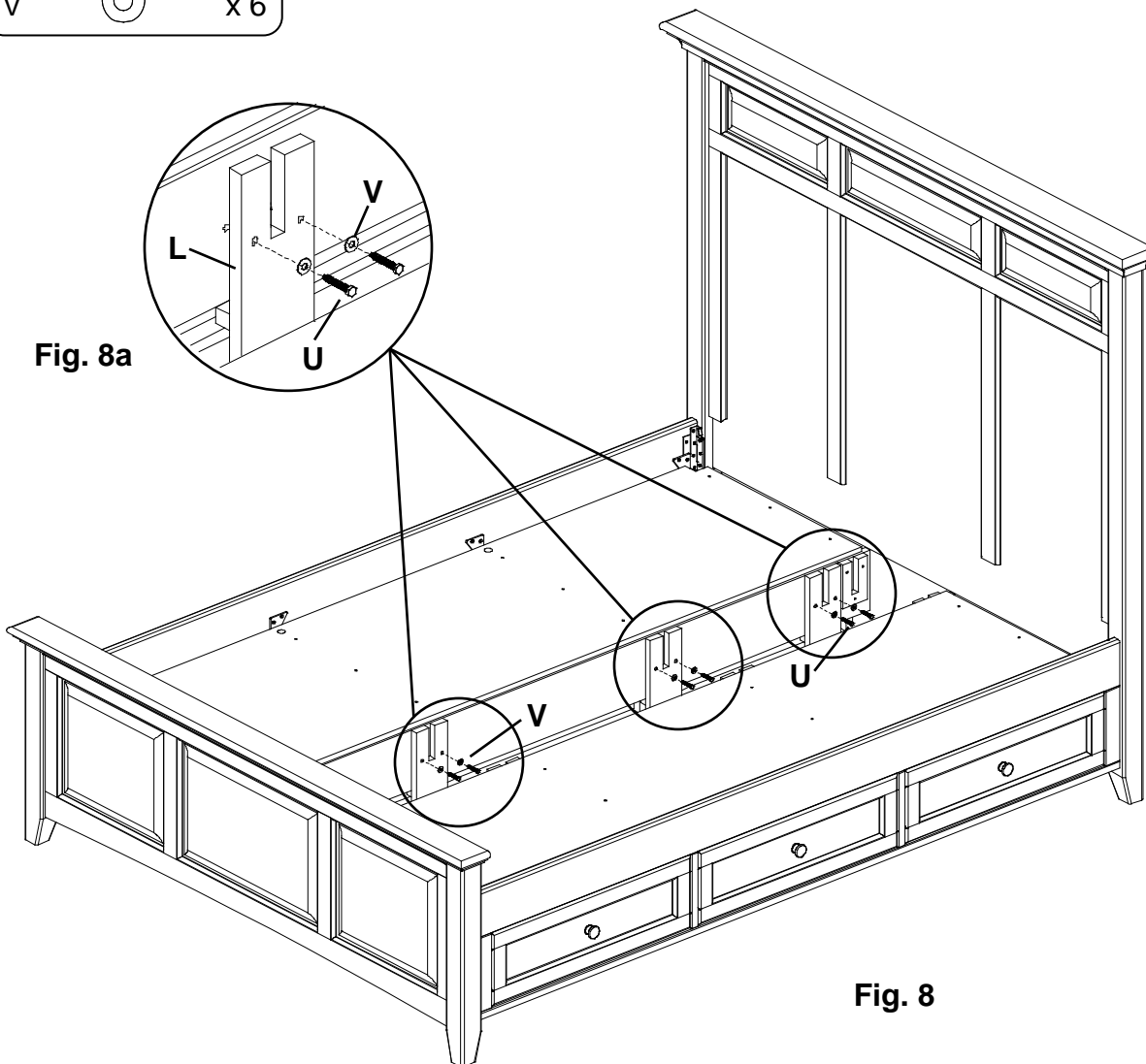
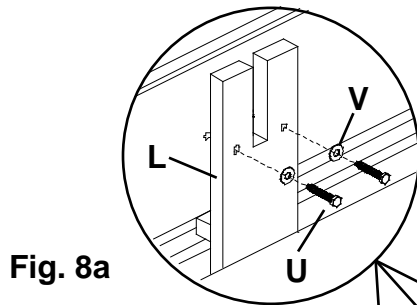
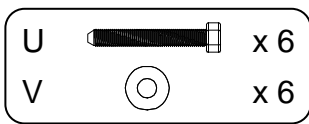
**Fig. 7**

**2322GACd 2322CAFd**  
**McKenzie Queen Mantel Storage Bed for Adjustable Bed Bases**  
**& 2325GACd 2325CAFd**  
**McKenzie King Mantel Storage Bed for Adjustable Bed Bases**

*Assembly Instructions*  
This assembly requires two people.

8. **NOTE:** There are blocks mounted on the back side of the Footboard to support the end of the pedestal eliminating the need for an Assembled Foot in this position where it would be easily visible. Do not attach an Assembled Foot in the position near the footboard.

Position three Assembled Feet (L) onto the Left Pedestal as shown in Figures 8 and 8a. Attach to the Pedestal with 1/4" x 1-3/4" Hex Bolts (U) and 1/4" Flat Washers (V). See Figures 8 and 8a.



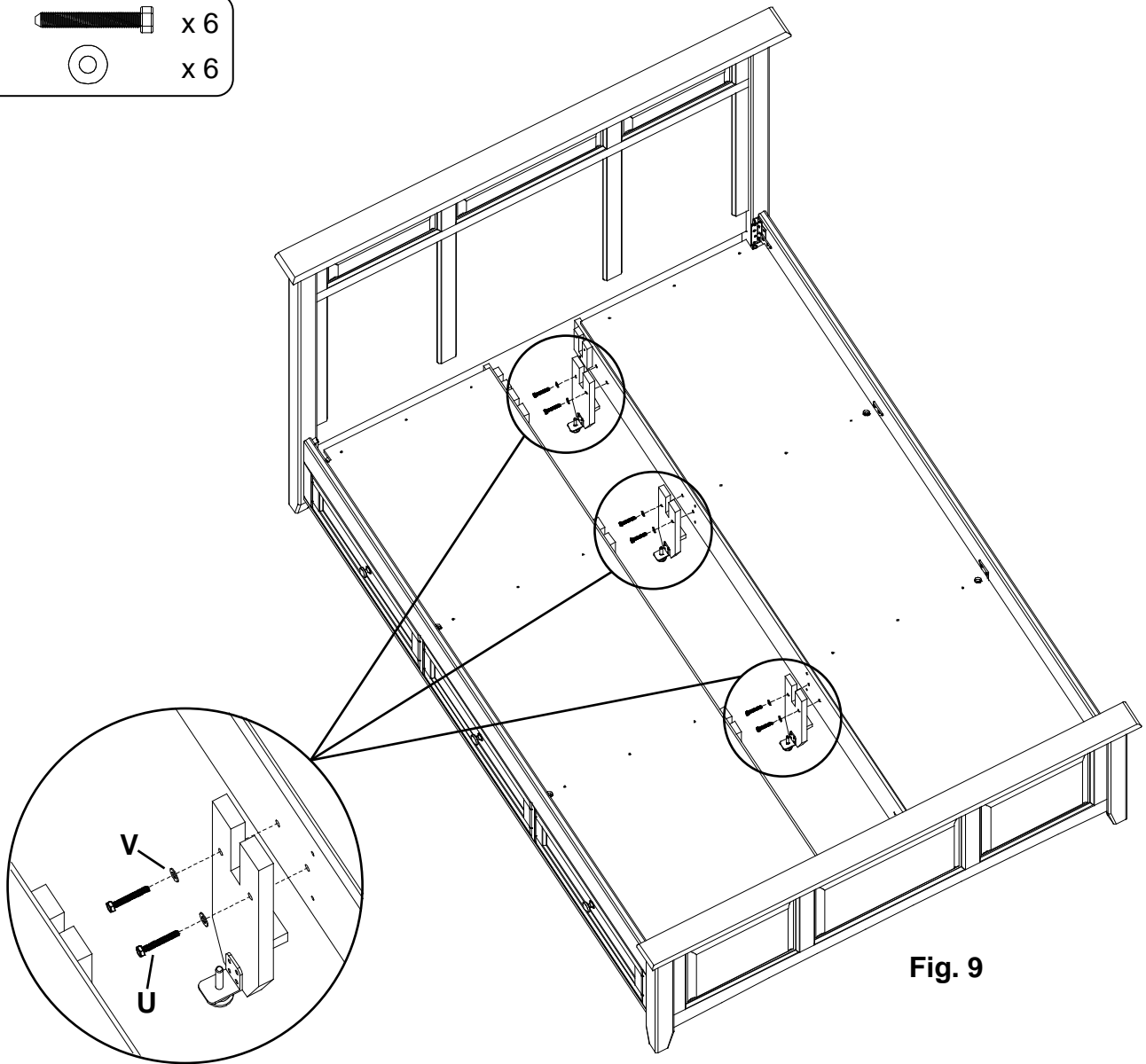
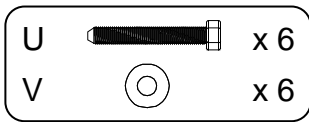
**2322GACd 2322CAFd**  
**McKenzie Queen Mantel Storage Bed for Adjustable Bed Bases**  
**& 2325GACd 2325CAFd**  
**McKenzie King Mantel Storage Bed for Adjustable Bed Bases**  
*Assembly Instructions*  
This assembly requires two people.

---

9. **NOTE:** There are blocks mounted on the back side of the Footboard to support the end of the pedestal eliminating the need for an Assembled Foot in this position where it would be easily visible. Do not attach an Assembled Foot in the position near the footboard.

Attach three additional Assembled Feet (L) to the Right Pedestal with 1/4" x 1-3/4" Hex Bolts (U) and 1/4" Flat Washers (V). See Figures 9 and 9a.

**IMPORTANT:** Make sure the Glides touch the floor and carry weight.



**Fig. 9a**

**Fig. 9**

**2322GACd 2322CAFd**  
**McKenzie Queen Mantel Storage Bed for Adjustable Bed Bases**  
**& 2325GACd 2325CAFd**  
**McKenzie King Mantel Storage Bed for Adjustable Bed Bases**  
*Assembly Instructions*  
This assembly requires two people.

---

10. Facing the Footboard, attach the Pedestal Assembly to the Footboard with a 90° Bracket (W) and four #6 x 1/2" Philtruss Screws (S). Repeat for the other side. See Figures 10 and 10a.

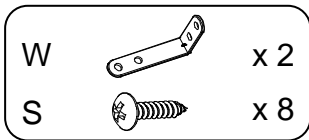


Fig. 10a

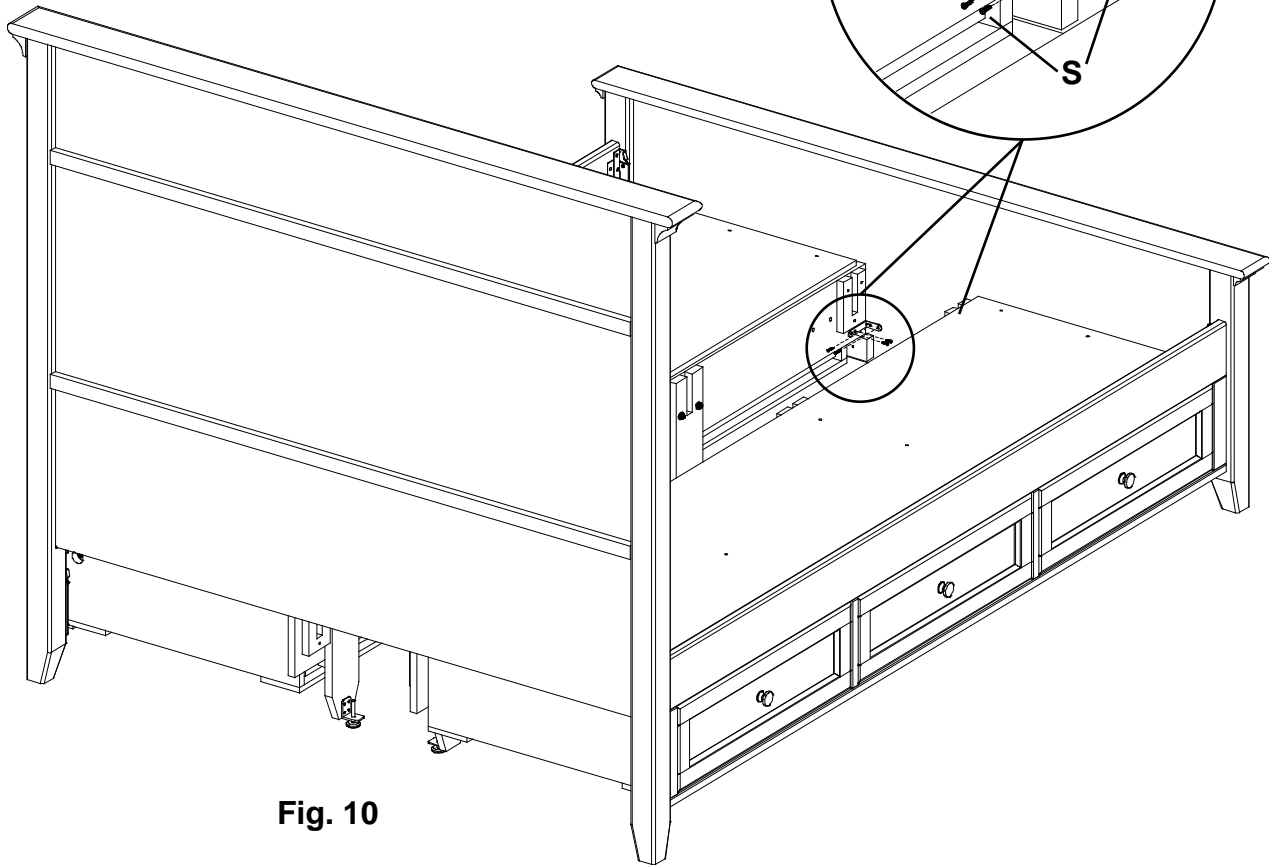
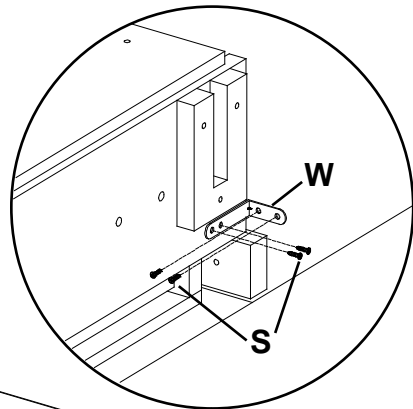


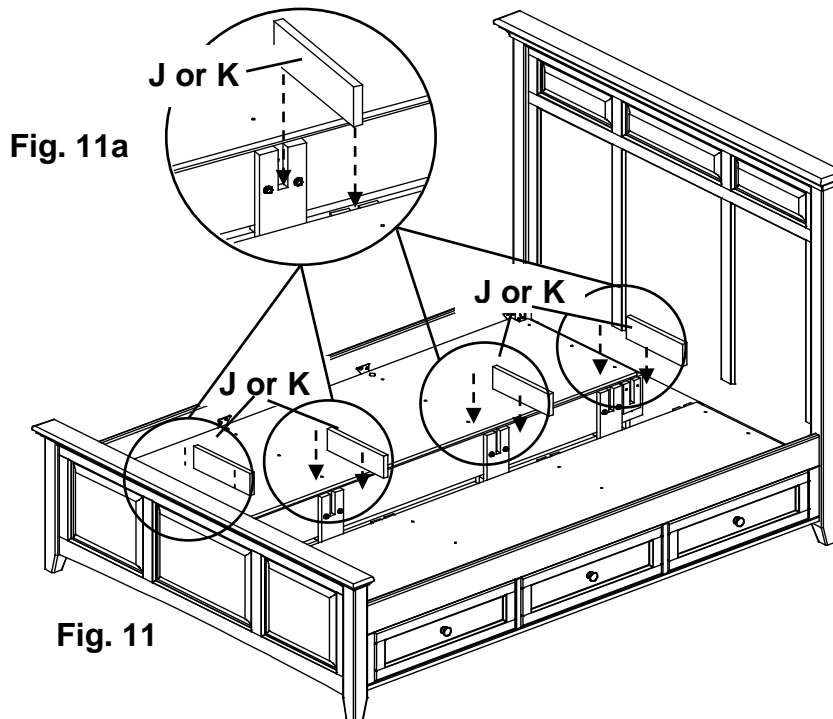
Fig. 10

**2322GACd 2322CAFd**  
**McKenzie Queen Mantel Storage Bed for Adjustable Bed Bases**  
**& 2325GACd 2325CAFd**  
**McKenzie King Mantel Storage Bed for Adjustable Bed Bases**  
*Assembly Instructions*  
This assembly requires two people.

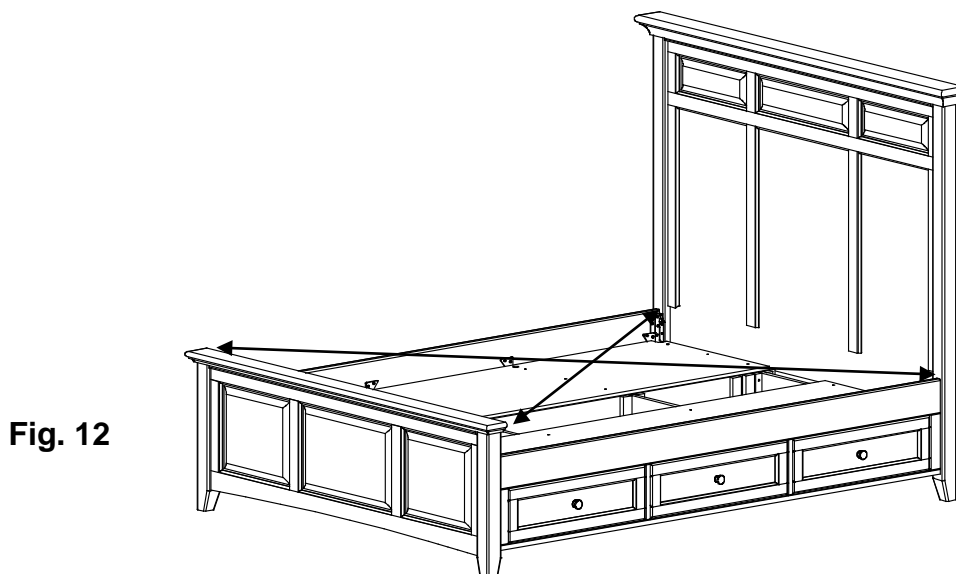
---

11. Place the four Queen Trestles (J) or King Trestles (K) into the bed assembly as shown in Figures 11 and 11a. Recycle/discard the Trestles for the size of bed not purchased.

**IMPORTANT:** the center two trestles nest into the notches at the top of the Foot Assemblies. The trestles at each end must nest into the notches in the cleats which are attached closer to the ends of the Pedestals.



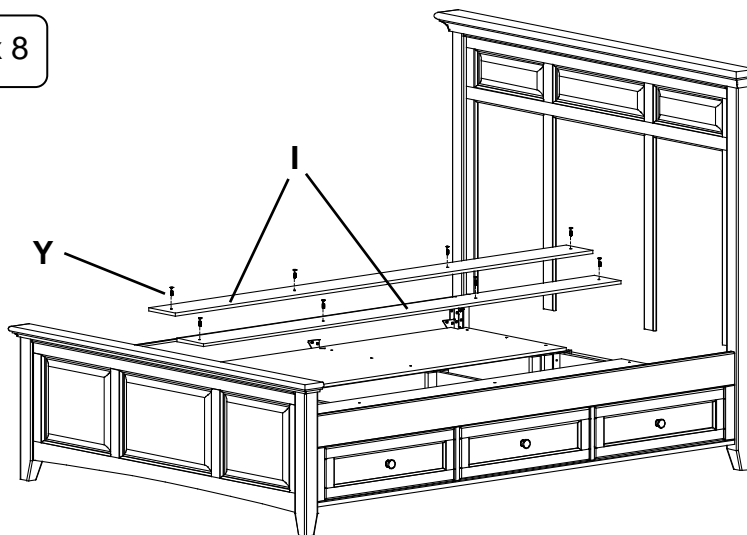
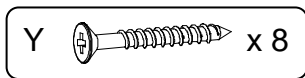
12. To make sure the bed is square, measure the distance between opposing corners. If one of the measurements is larger, tap on a footboard leg until the measurement is equal. See Figure 12.



**2322GACd 2322CAFd**  
**McKenzie Queen Mantel Storage Bed for Adjustable Bed Bases**  
**& 2325GACd 2325CAFd**  
**McKenzie King Mantel Storage Bed for Adjustable Bed Bases**  
*Assembly Instructions*

This assembly requires two people.

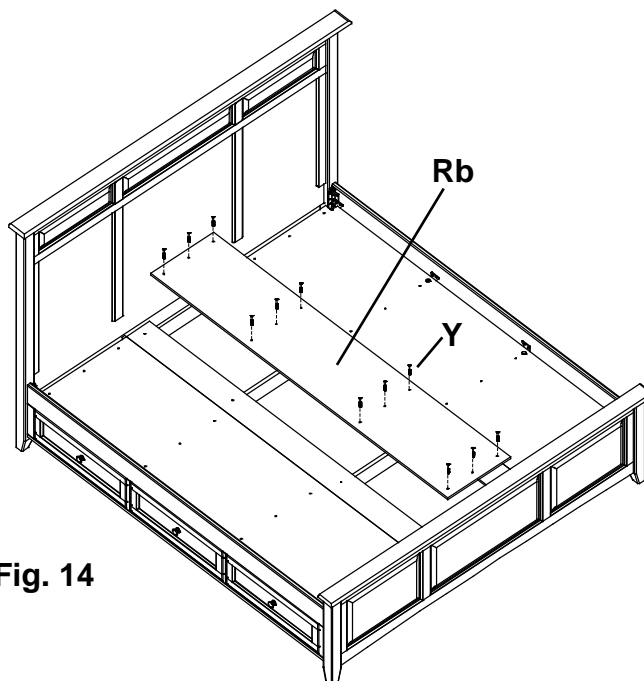
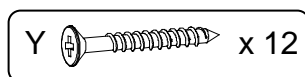
13. Place the Left/Right Center Deckboards (I) as shown in Figure 13 and secure with eight #8x1-1/4" Black Screws (Y). There should be a small gap between each deckboard.



**Fig. 13**

**Step 14 is for the McKenzie King Mantel Storage Bed for Adjustable Bed Bases (#2325)**

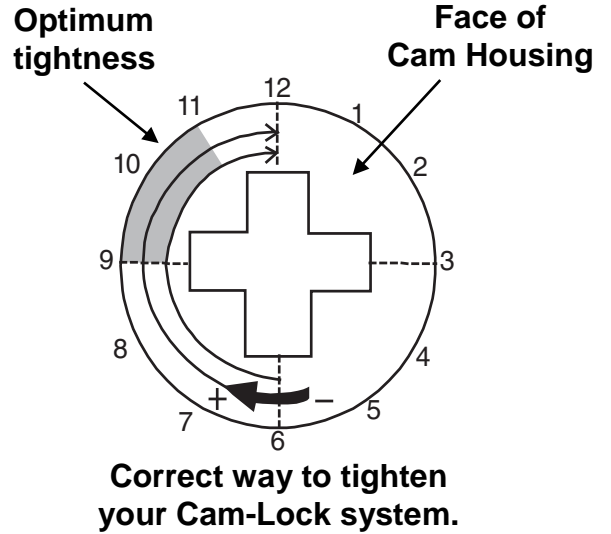
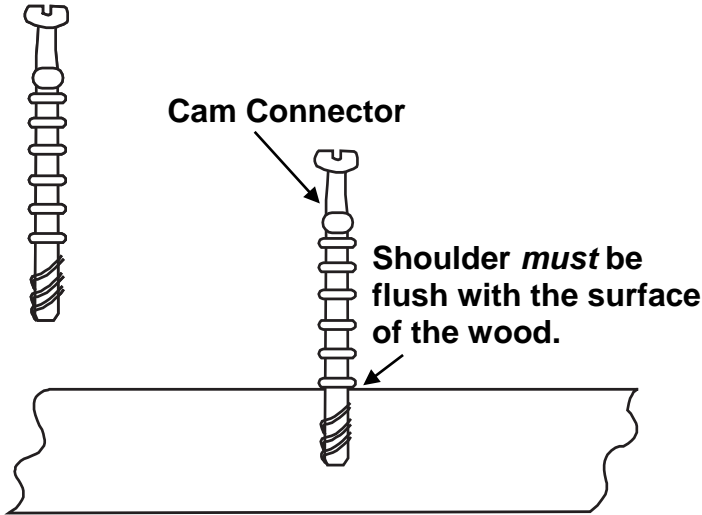
14. Place the Center Deckboard (Rb) as shown in Figure 14 and secure with twelve #8 x 1-1/4" Black Screws (Y). If you need to adjust the center feet, remove the Center Deckboard, adjust the glides and reattach the deckboard.



**Fig. 14**

# CAM - LOCK SYSTEM INSTRUCTIONS

**NOTE: To avoid scratching the surface of the wood, assemble the unit and place face-down on a clean, protected surface.**



1. Insert the Cam Housing so the arrow faces the Cam Connector. To achieve tension and holding power, you **MUST TURN** the Cam Housing clockwise at **LEAST 1/4 turn** to the 9:00 position. Turning the Cam Housing between 1/4 and 1/2 turn should be enough to ensure rigid tension. Tension should be initiated as soon as 10:00. You should receive optimum tightness at 11:00. IF this does not occur, tighten or loosen the Cam Connector to achieve proper tension.

**2. You may need extra tension if:**

- A. The Cam Connector was screwed in deeper or not as deep as it should.
- B. If the furniture is repeatedly assembled and disassembled.
- C. If you place a heavy load in the unit.

**To achieve extra tension, tighten the Cam Connector between the 11:00 and 12:00 positions.**

