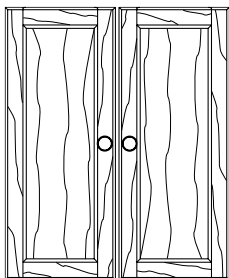


McKenzie Alder Bookcase Door Kits

AEGAC = Glazed Antique Cherry finish; AEGSP = Glazed Spice finish;

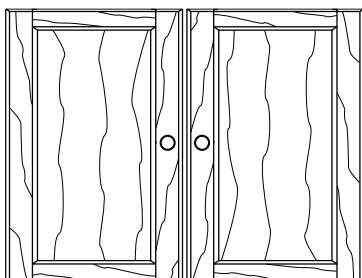
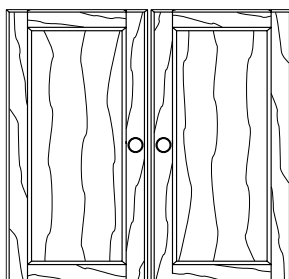
AECAF = Caffè finish

Assembly Instructions



**2000AEGACa;
2000AEGSPa;
2000AECAFa
24" Alder Bookcase
2-Door Kit**

**2003AEGACa;
2003AEGSPa;
2003AECAFa
30" Alder
Bookcase
2-Door Kit**



**2001AEGACa;
2001AEGSPa;
2001AECAFa
36" Alder
Bookcase
2-Door Kit**

Congratulations!

This fine piece of furniture will make a gorgeous addition to your home. For the best results, read the Assembly Instructions before you begin your project.

IMPORTANT NOTES:

- For normal household use only. *Not* recommended for commercial use.
- Do not climb, sit or stand on this piece of furniture.
- Before you begin your project, completely read the Assembly Instructions.
- Store this item: 1- in its box; 2- in a dry place; 3- in temperatures that range from 40°F to 90°F (not on a cold and possibly damp cement floor.)
- Periodically inspect your furniture for any loose glue joints, screws or any other problem that might affect the stability of your furniture. Tighten or repair as needed.

! WARNING

Notice to California Customers

California Prop 65 requires consumer goods to be labeled if any one of 850+ different chemicals or substances, including wood dust, is present even in trace amounts. Drilling, sawing, sanding or machining wood products generates wood dust, a substance known to the State of California to cause cancer. **Warning:** This product contains a chemical or substance known to the State of California to cause cancer, birth defects or other reproductive harm. *California Health and Safety Code Section 25249.6*

DESIGN SUBJECT TO CHANGE WITHOUT NOTICE.



CALL US FIRST! Do not return this item to the store

Service Policy: We will replace any part that is defective, missing or damaged during assembly. For a replacement part, directly contact Whittier Wood Products customer service department by phone, fax, mail or email.

Hours: Our friendly customer service staff can be reached Monday-Friday 7:00 a.m. to 5:00 p.m. (Pacific Time). You may leave a message 24 hours a day, seven days a week.

To Order: Provide the finish and furniture model number (upper portion of this page), the part letter, production code, quantity needed, reason for replacement and your full name, address and telephone number.

Parts ship from our Eugene, Oregon factory within one or two business days from the time we receive your request. Please allow five to ten business days for delivery.

**800-653-3336 • Outside the U.S. or Canada: 541-687-0213 • Fax: 541-687-2060
www.whittierwood.com • P.O. Box 2827 • Eugene, Oregon 97402, U.S.A.**

**Whittier
Wood**
FURNITURE

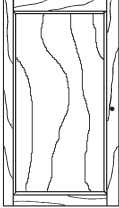





P.O. Box 2827
Eugene, OR 97402 USA

Production Code:

**2000AEGACa; 2000AEGSPa; 2000AECAF
 2001AEGACa; 2001AEGSPa; 2001AECAF
 2003AEGACa; 2003AEGSPa; 2003AECAF
 Alder Bookcase Door Kit — Parts List**

Before you begin to assemble this unit, identify each part and make sure the quantities received match what is on this list.

If you need to replace a part, please refer to the following list for the part name and letter code.

Part	Description	Quantity
A	Door 	2
B	Door Knob 	2
Ca	#8 x 1-1/2" Machine Screw Tuscan 	2
D	Hinge 	4
E	Hinge Plate 	4
F	Pad 	2

**2000AEGACa; 2000AEGSPa; 2000AECaFa
2001AEGACa; 2001AEGSPa; 2001AECaFa
2003AEGACa; 2003AEGSPa; 2003AECaFa**

Alder Bookcase Door Kit

Assembly Instructions

Tool Required: Phillips Screwdriver

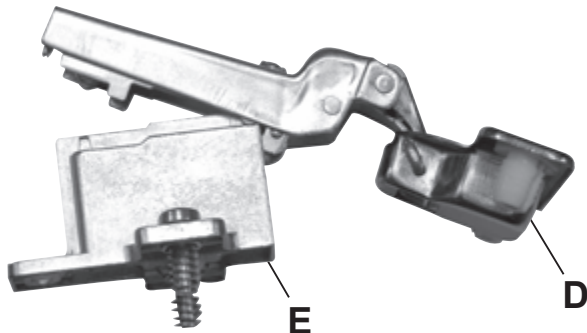


Fig. 1

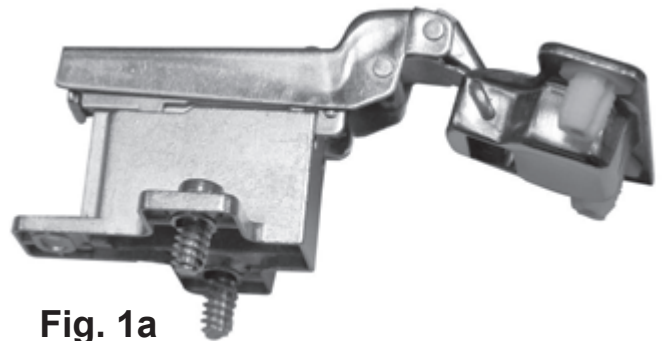


Fig. 1a

1. Lay the Doors (A) face down on a clean protected surface. Snap the handle of the Hinge (D) down on to each of the Hinge Plates (E) as seen in Figures 1 and 1a.
-

2. There are predrilled holes in the door as shown in Figure 2. This is where you will be inserting the hinge part of the assembly. Insert the Hinge (D) assembly that has the plastic knobs into the predrilled holes in the bottoms and tops of the Doors (A). See Figures 2 and 2a. ***You must place both Hinges into the Door before you attach them to the bookcase.***

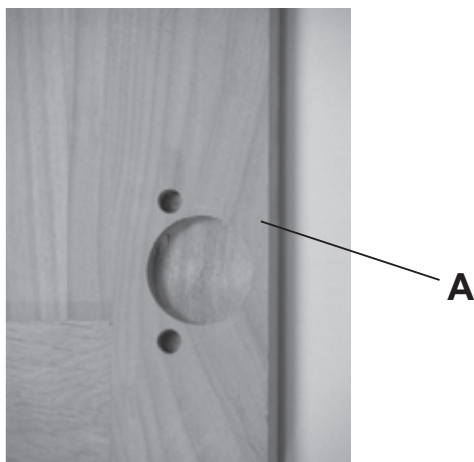


Fig. 2

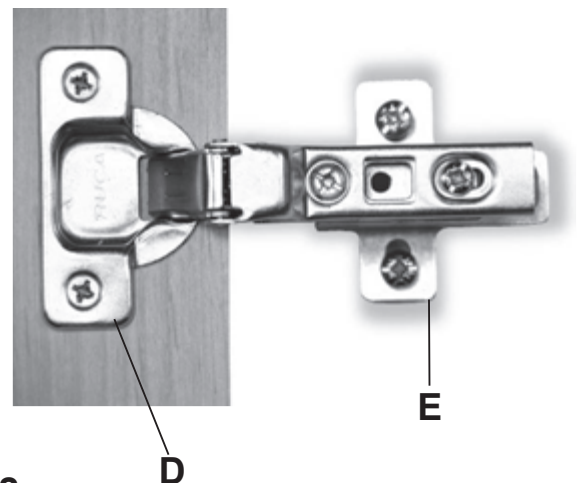


Fig. 2a



Fig. 3

Bottom

Center
shelf



Fig. 3a

3. Attach the door to the bookcase by inserting the screws in the Hinge Plate (E) into the second and third holes up from the bottom of the bookcase unit. See Fig. 3. Attach the second hinge assembly to the same door/bookcase by inserting screws into the third and fourth predrilled holes down from the top of the fixed center shelf. See Figure 3a.

-
4. The door might need to be adjusted so that all the spaces between the doors and unit sides are equal. To make those adjustments, follow the instructions in Figure 4.

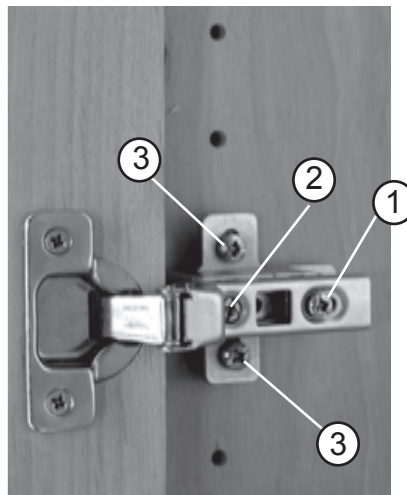
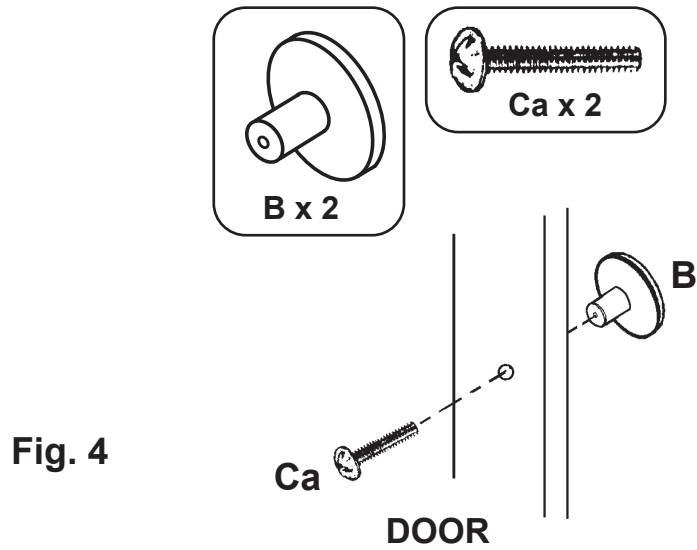


Fig. 4

- Side adjustment** To move the door towards the side panel, rotate screw '2' counter-clockwise. To move it away, rotate screw '2' clockwise.
- Depth adjustment** Loosen screw '1' and adjust door. Re-tighten screw.
- Height adjustment** Loosen screws '3' and adjust door. Re-tighten screws.

5. Attach the Knobs (B) to the Doors (A) with #8x1-1/2 " Machine Screws Tuscan (Ca). See Figure 3.



6. Attach a Pad (F) to the back of each door where it comes in contact with the adjustable shelf.

