

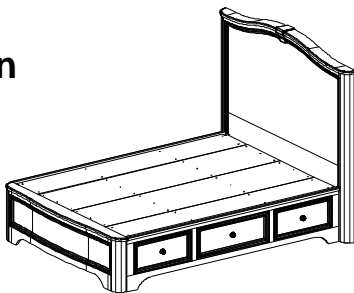
# Stonewood Beds

RGB = Rustic Glazed Brown finish

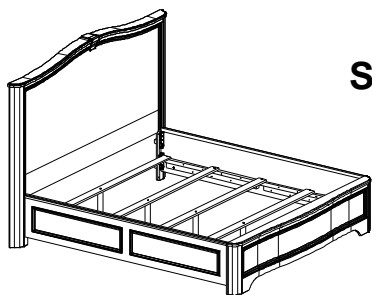
Assembly Instructions

Model #

**1716RGBb**  
**Stonewood Queen**  
**Storage Bed**



**1726RGBb**  
**Stonewood King**  
**Storage Bed**



**1746RGBc**  
**Stonewood Queen**  
**Bed**

**1749RGBc**  
**Stonewood King**  
**Bed**

*Thank you for allowing us to help you furnish your home. We are certain you will be delighted with your new furniture for many years to come.*

## IMPORTANT NOTES:

- For normal household use only. *Not* recommended for commercial use.
- Remove items before you move this unit.
- Do not overload the drawers.
- This assembly requires two people.

## WARNING

Drilling, sawing, sanding or machining wood products can expose you to wood dust, a substance known to the state of California to cause cancer. Avoid inhaling wood dust or use a dust mask or other safeguards for personal protection.

For more information go to: [www.p65warnings.ca.gov/wood](http://www.p65warnings.ca.gov/wood)

This product can expose you to chemicals, including formaldehyde, which are known to the State of California to cause cancer.

For more information go to: [www.p65warnings.ca.gov/furniture](http://www.p65warnings.ca.gov/furniture)

**DESIGN SUBJECT TO CHANGE WITHOUT NOTICE.**

## CUSTOMER SERVICE

If you ever have questions about your furniture, please do not hesitate to contact us. In the unlikely event you need a replacement part; we can make those parts available through an authorized Whittier Wood Furniture dealer. If you cannot order replacement parts through your dealer, please contact our customer service department.

**Hours:** Our friendly customer service staff can be reached:

**Monday-Friday 8:00 a.m. to 5:00 p.m. (Pacific Time).**

You may leave a message 24 hours a day, seven days a week.

**Customer Service:** 800-653-3336 • **Outside the U.S.:** 541-687-0213

**Fax:** 541-687-2060 • **Email:** [info@whittierwood.com](mailto:info@whittierwood.com)

**Whittier**  
**Wood**  
**FURNITURE**

P.O. Box 2827  
Eugene, OR 97402 USA

Production Code:

VN

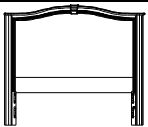





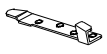
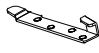


05/18

**1716RGBb Stonewood Queen Storage Bed**  
**1726RGBb Stonewood King Storage Bed**  
**1746RGBc Stonewood Queen Bed**  
**1749RGBc Stonewood King Bed**  
*Parts List*

Please note this Assembly Instruction is for Stonewood Storage Beds (#1716 Queen and #1726 King), and Stonewood Rail Beds (#1746 Queen and #1749 King.) The Parts Lists for each component follow.

Please identify the parts and check that the quantities received match those on this list. If you need to replace a part, refer to the model number, part letter and name.

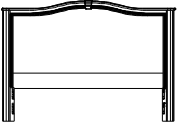
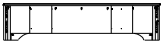

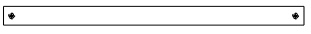


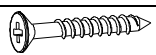

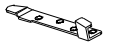
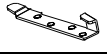
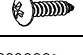
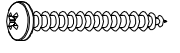
## 1719RGBb Queen Headboard/Footboard Kit (x1)

Part	Description		Quantity
Ab	Headboard Assembly		1
Bb	Footboard Assembly		1
I	Queen Trestle with T-Nuts (24-3/8")		4
S	#8 x 1-5/8" Black Screw (inserted)		11
U	#8 x 1" Black Screw (inserted)		32
Y	1/4" T-Nut (inserted)		8
ZD	Left Bed Bracket (attached)		4
ZE	Right Bed Bracket (attached)		4
ZH	#6 x 5/8" Philtruss Screw (inserted)		20
ZI	#8 x 1-1/4" Pan Head Screw (inserted)		12

**1716RGBb Stonewood Queen Storage Bed**  
**1726RGBb Stonewood King Storage Bed**  
**1746RGBc Stonewood Queen Bed**  
**1749RGBc Stonewood King Bed**  
*Parts List*

---

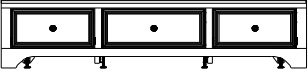
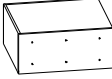
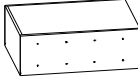
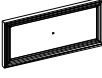


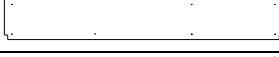
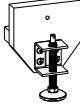






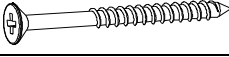
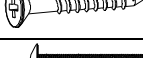

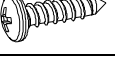

## 1728RGBb King Headboard/Footboard Kit (x1)

Part	Description	Quantity
Ab	Headboard Assembly 	1
Bb	Footboard Assembly 	1
C	Center Deckboard 	1
J	King Trestle with T-Nuts (40-1/2") 	4
R	#8 x 1-1/4" Black Screw 	12
S	#8 x 1-5/8" Black Screw (inserted) 	11
U	#8 x 1" Black Screw (inserted) 	32
Y	1/4" T-Nut (inserted) 	8
ZD	Left Bed Bracket (attached) 	4
ZE	Right Bed Bracket (attached) 	4
ZH	#6 x 5/8" Philtruss Screw (inserted) 	24
ZI	#8 x 1-1/4" Pan Head Screw (inserted) 	12

**1716RGBb Stonewood Queen Storage Bed**  
**1726RGBb Stonewood King Storage Bed**  
**1746RGBc Stonewood Queen Bed**  
**1749RGBc Stonewood King Bed**  
*Parts List*




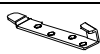
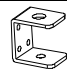


---

## 1718RGBb Pedestal Kit (x2)




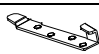


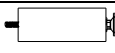


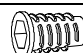



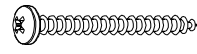
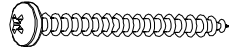
Part	Description	Quantity
Db	Pedestal 	1
E	Small Drawer Box (assembled) 	2
F	Large Drawer Box (assembled) 	1
Gb	Small Drawer Face (attached) 	2
Hb	Large Drawer Face (attached) 	1
K	Left/Right Center Deckboard 	1
L	Notched Deckboard (attached) 	1
M	Assembled Foot (attached) 	2
N	20" Drawer Slides (pre-installed sets) 	3
O	#6 x 3/4" Philtruss Screw (inserted) 	18
P	#6 x 1/2" Philtruss Screw (inserted) 	18
Q	#8 x 7/8" Black Lo-Profile Screw (inserted) 	20
R	#8 x 1-1/4" Black Screw 	26 (18 inserted)
S	#8 x 1-5/8" Black Screw (inserted) 	24
T	#8 x 2" Black Screw (inserted) 	12
U	#8 x 1" Black Screw (inserted) 	36
V	#8 x 1-1/2" Machine Screw Tuscan (installed) 	3
W	#10 x 3/4" Pan Head Screw (inserted) 	16
ZA	1/4" x 1-1/2" Hex Bolt 	4

## 1718RGBb Pedestal Kit (x2)\_Cont.

**1716RGBb Stonewood Queen Storage Bed**  
**1726RGBb Stonewood King Storage Bed**  
**1746RGBc Stonewood Queen Bed**  
**1749RGBc Stonewood King Bed**  
*Parts List*

Part	Description		Quantity
ZB	Knob (attached)		3
ZC	Knob Plate (attached)		3
ZD	Left Bed Bracket (attached)		2
ZE	Right Bed Bracket (attached)		2
ZF	Foot Bracket (attached)		4
ZG	Adjustable Glide (installed)		4
ZT	18mm Washer		4

**1748RGBc Queen Rail Kit (x1)**  
**1740RGBc King Rail Kit (x1)**

Part	Description	Quantity	
		1748RGBc	1740RGBc
R	#8 x 1-1/4" Black Screw 	10	10
Y	1/4" T-Nut (inserted) 	5	5
ZD	Left Bed Bracket (attached) 	4	4
ZE	Right Bed Bracket (attached) 	4	4
ZK	Queen Slat 	5	0
ZL	King Slat 	0	5
ZM	Assembled Foot 	5	5
ZN	#6 x 3/4" Flat Head Screw (inserted) 	32	32
ZO	Adjustable Glide with Hex Nut (installed) 	5	5
ZP	5/16" x 3/4" Insert Nut (inserted) 	5	5
ZQ	1/4" x 45mm Hanger Bolt (inserted) 	5	5
ZU	Side Rail 	2	2
ZV	Cleat (attached) 	4	4
ZW	#8 x 1-3/4" Pan Head Screw (inserted) 	22	22
ZX	#10 x 2" Pan Head Screw (inserted) 	20	20

**1716RGBb Stonewood Queen Storage Bed**  
**1726RGBb Stonewood King Storage Bed**  
**1746RGBc Stonewood Queen Bed**  
**1749RGBc Stonewood King Bed**

*Assembly Instructions*

This assembly requires two people.

**Tools Required: Phillips screwdriver, Slotted screwdriver, 1/2" & 7/16" open end or box end wrench and Tape measure**

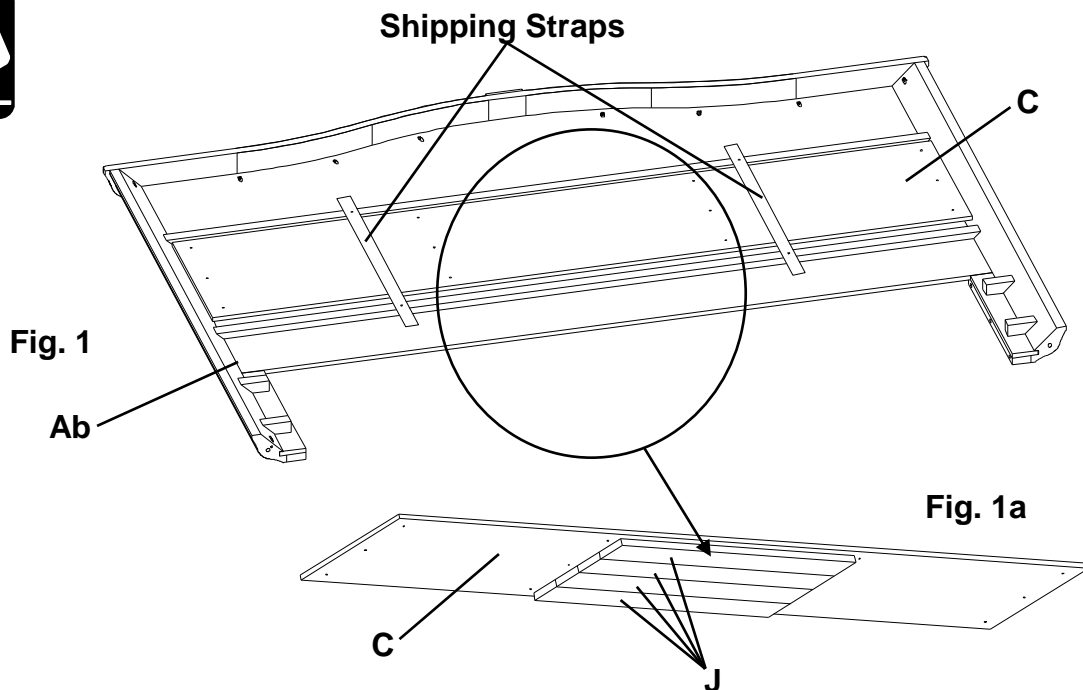
**Notes:**

**Steps 1 through 10 are for the Stonewood Queen Storage Bed (#1716) and the Stonewood King Storage Bed (#1726).**

**Steps 11 through 17 are for the Stonewood Queen Bed (#1746) and the Stonewood King Bed (#1749).**

**Step 1 is for the the Stonewood King Storage Bed (#1726)**

1. Remove the Center Deckboard (C) and King Trestles (J) from the back of the Headboard (Ab) and place to the side. See Figures 1, 1a.



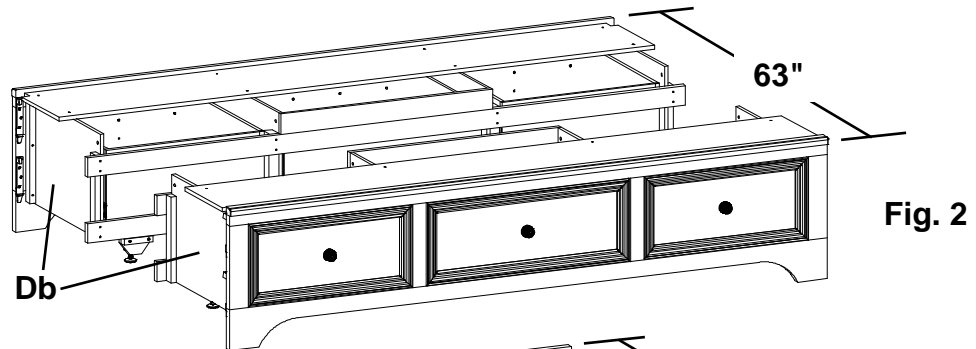
**1716RGBb Stonewood Queen Storage Bed**  
**1726RGBb Stonewood King Storage Bed**  
**1746RGBc Stonewood Queen Bed**  
**1749RGBc Stonewood King Bed**

*Assembly Instructions*

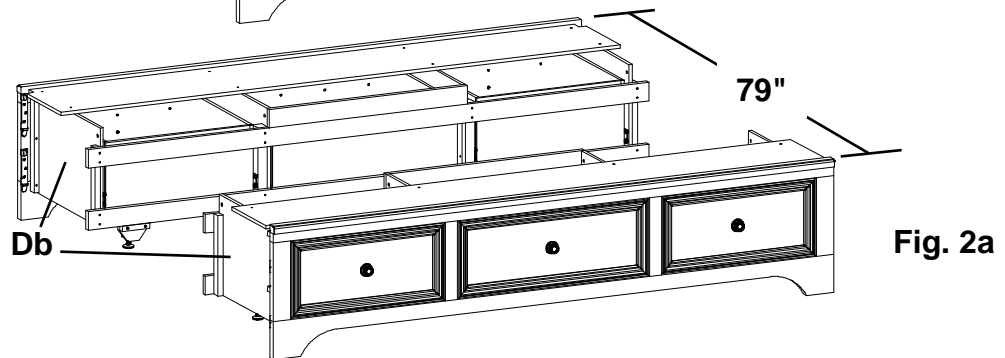
This assembly requires two people.

2. Place both Pedestals (Db) approximately 63" apart for #1716 Queen Bed, or 79" apart for #1726 King Bed as shown in Figures 2 and 2a.

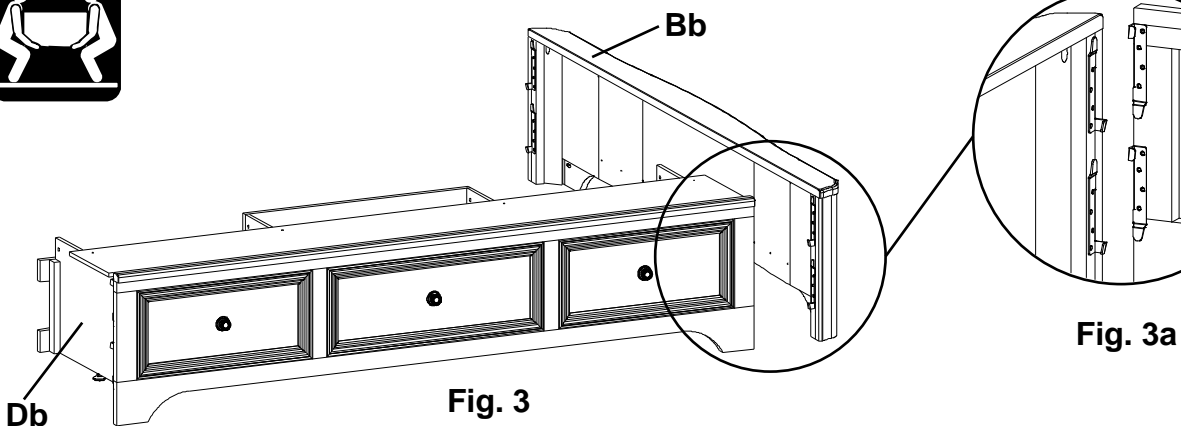
(For #1716 Queen)



(For #1726 King)



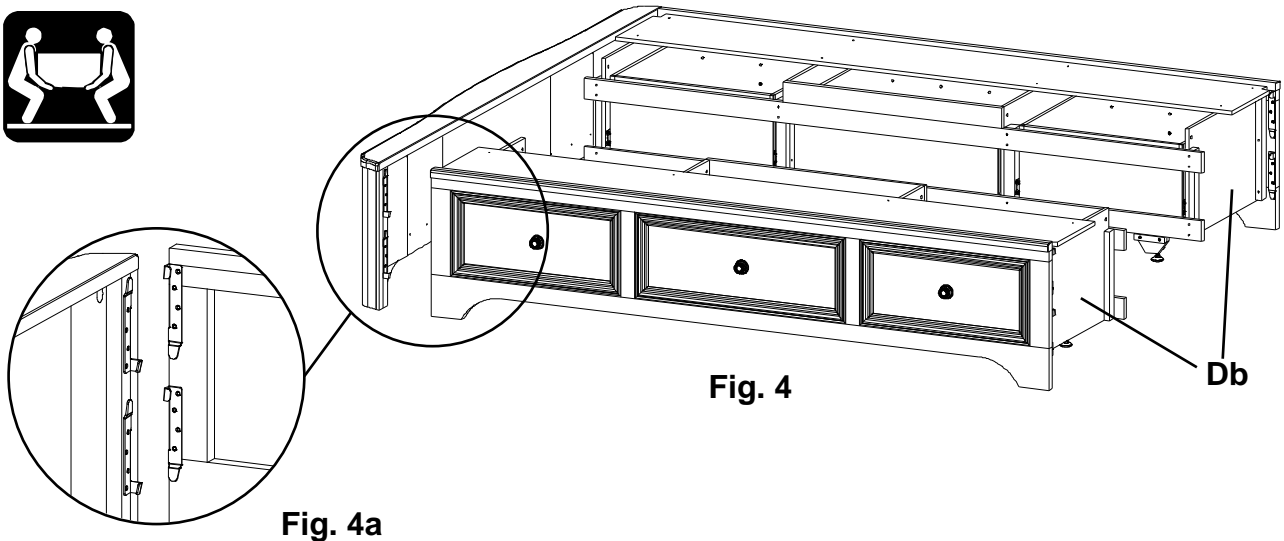
3. To attach the Footboard (Bb) to the Pedestal (Db), align the Brackets and slide the Pedestal down on to the Footboard (Bb). See Figures 3 and 3a.



**1716RGBb Stonewood Queen Storage Bed**  
**1726RGBb Stonewood King Storage Bed**  
**1746RGBc Stonewood Queen Bed**  
**1749RGBc Stonewood King Bed**

*Assembly Instructions*  
This assembly requires two people.

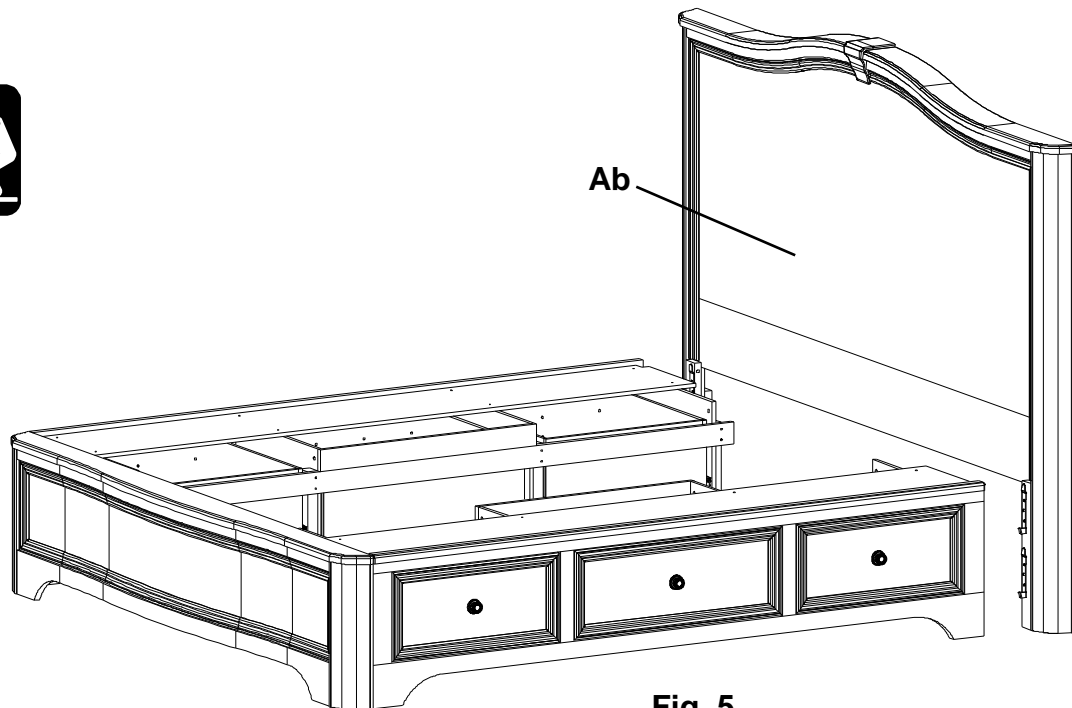
4. Repeat step three for the other side. See Figures 4 and 4a.



**Fig. 4**

**Fig. 4a**

5. Align the Brackets on both sides and slide the Pedestal/Footboard assembly down on to the Headboard (Ab). See Figure 5.



**Fig. 5**

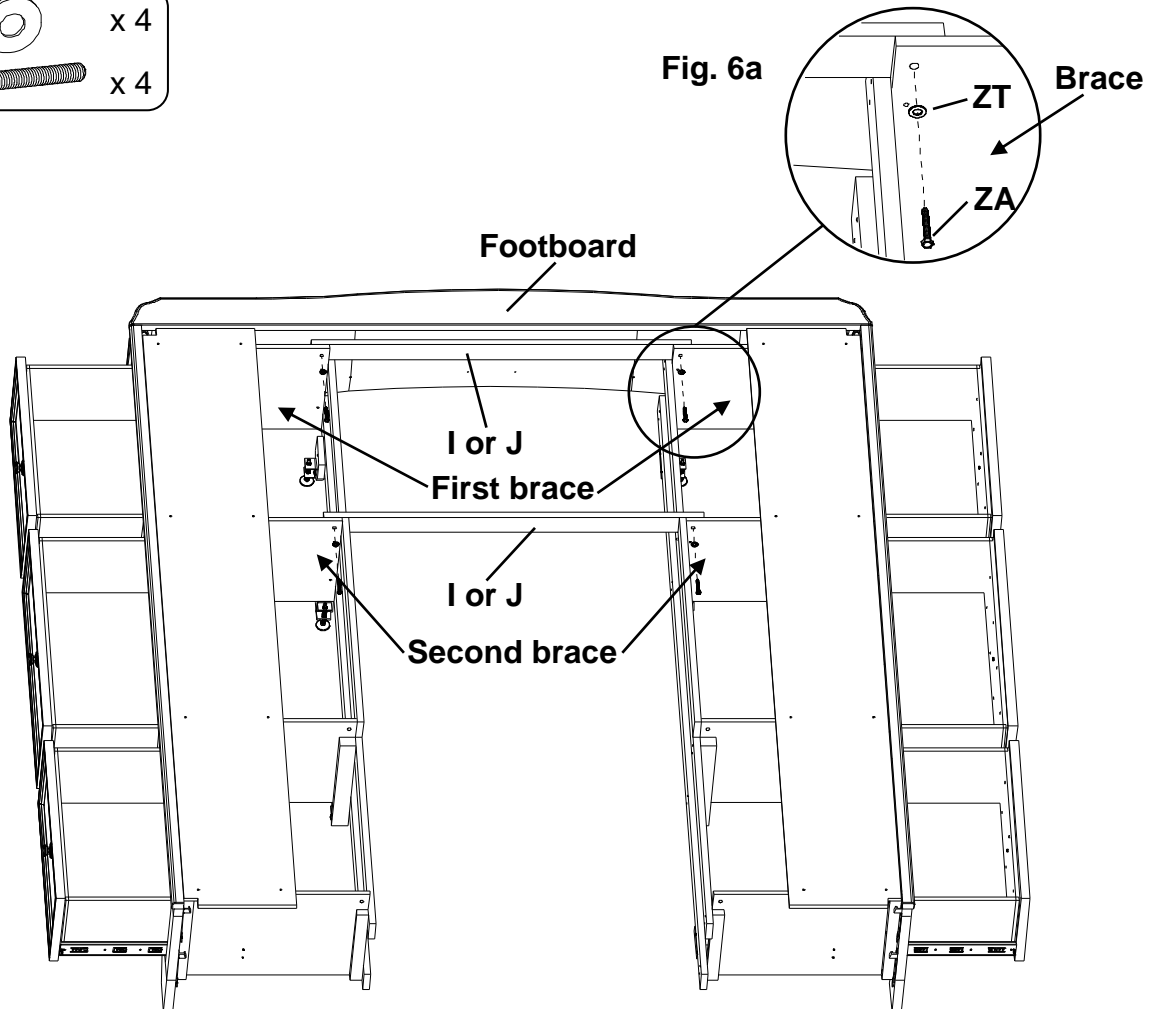
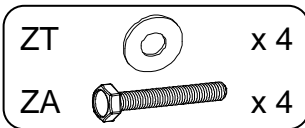


**1716RGBb Stonewood Queen Storage Bed**  
**1726RGBb Stonewood King Storage Bed**  
**1746RGBc Stonewood Queen Bed**  
**1749RGBc Stonewood King Bed**

*Assembly Instructions*

This assembly requires two people.

6. Open the drawers. Face the Footboard and stand in between the first and second braces. Place a Queen Trestle with T-Nuts (I) or King Trestles with T-Nuts (J) on the outside surfaces of the first upper left and right braces so that the T-Nuts (Y) sit near the top. See Figure 6a. Line up the upper edges of the trestle and braces so they are nearly flush. Insert two 1/4" x 1-1/2" Hex Bolts (ZA) and Washers (ZT) and tighten. Repeat for the second upper brace. See Figures 6 and 6a.



**Fig. 6**

***Headboard removed for illustration purposes.***

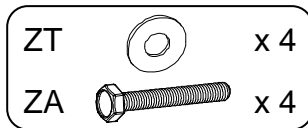
**1716RGBb Stonewood Queen Storage Bed**  
**1726RGBb Stonewood King Storage Bed**  
**1746RGBc Stonewood Queen Bed**  
**1749RGBc Stonewood King Bed**

*Assembly Instructions*

This assembly requires two people.

7. Face the Headboard and stand in between the third and fourth braces. Place a Queen Trestle with T-Nuts (I) or King Trestles with T-Nuts (J) on the outside surfaces of the third upper left and right braces so that the T-Nuts (Y) sit near the top. See Figures 7 and 7a. Line up the upper edges of the trestle and braces so they are nearly flush. Insert two 1/4" x 1-1/2" Hex Bolts (ZA) and Washers (ZT) and tighten.

Repeat for the fourth braces.



Trestle with T-Nuts (I or J)

Brace

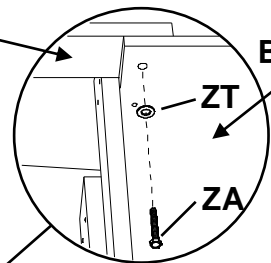


Fig. 7a

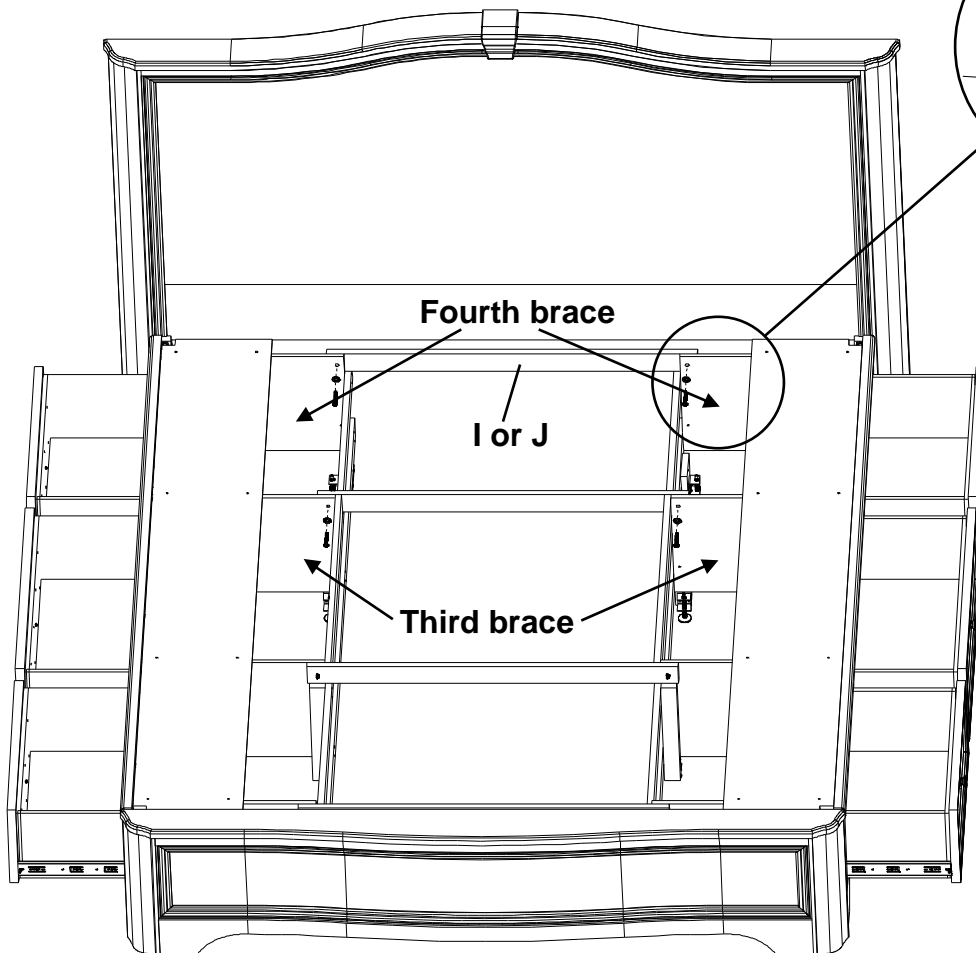


Fig. 7

**1716RGBb Stonewood Queen Storage Bed**  
**1726RGBb Stonewood King Storage Bed**  
**1746RGBc Stonewood Queen Bed**  
**1749RGBc Stonewood King Bed**

*Assembly Instructions*

This assembly requires two people.

8. Place your bed in its final position. Using a 1/2" wrench or Slotted screwdriver adjust the Adjustable Glides (ZG) on the bottoms of the Assembled Feet (M) so that the top edge of the trestles are 17" from the floor.

**IMPORTANT: Make sure the Glides touch the floor and carry weight.**

To make sure the bed is square, measure the distance between opposing corners. If one of the measurements is larger, tap on a footboard leg until the measurement is equal. See Figure 8.

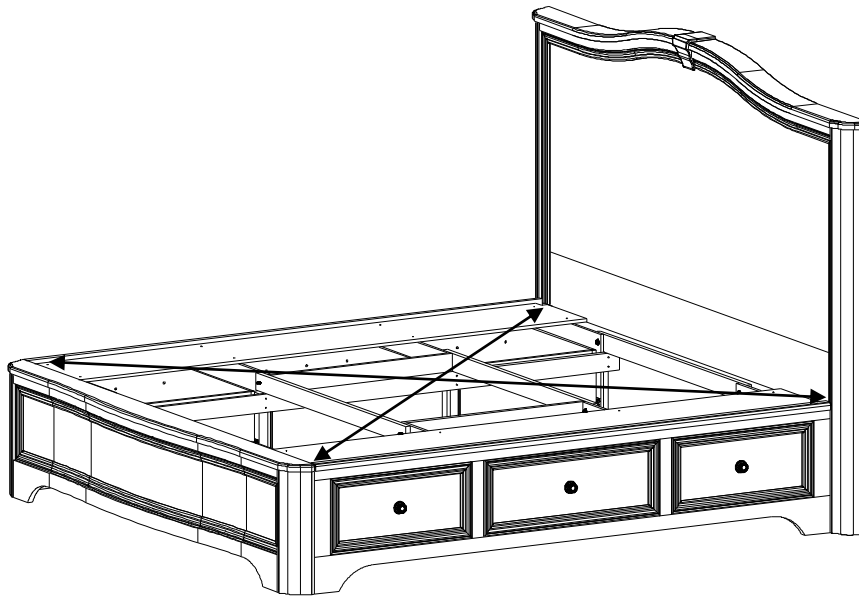


Fig. 8

9. Place the Left/Right Center Deckboards (K) as shown in Figure 9 and secure with sixteen #8x1-1/4" Black Screws (R). There should be a small gap between each deckboard.

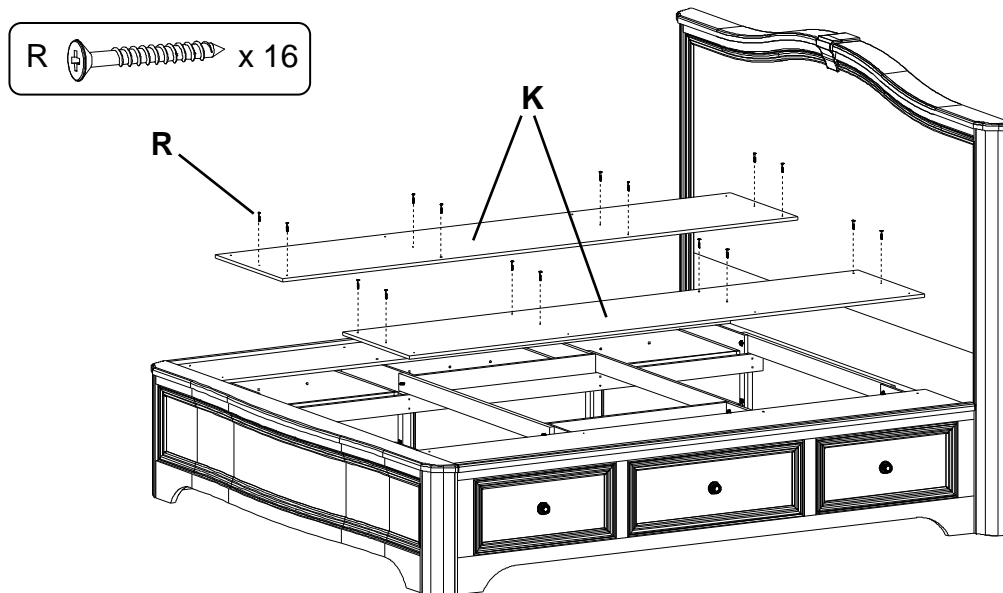


Fig. 9

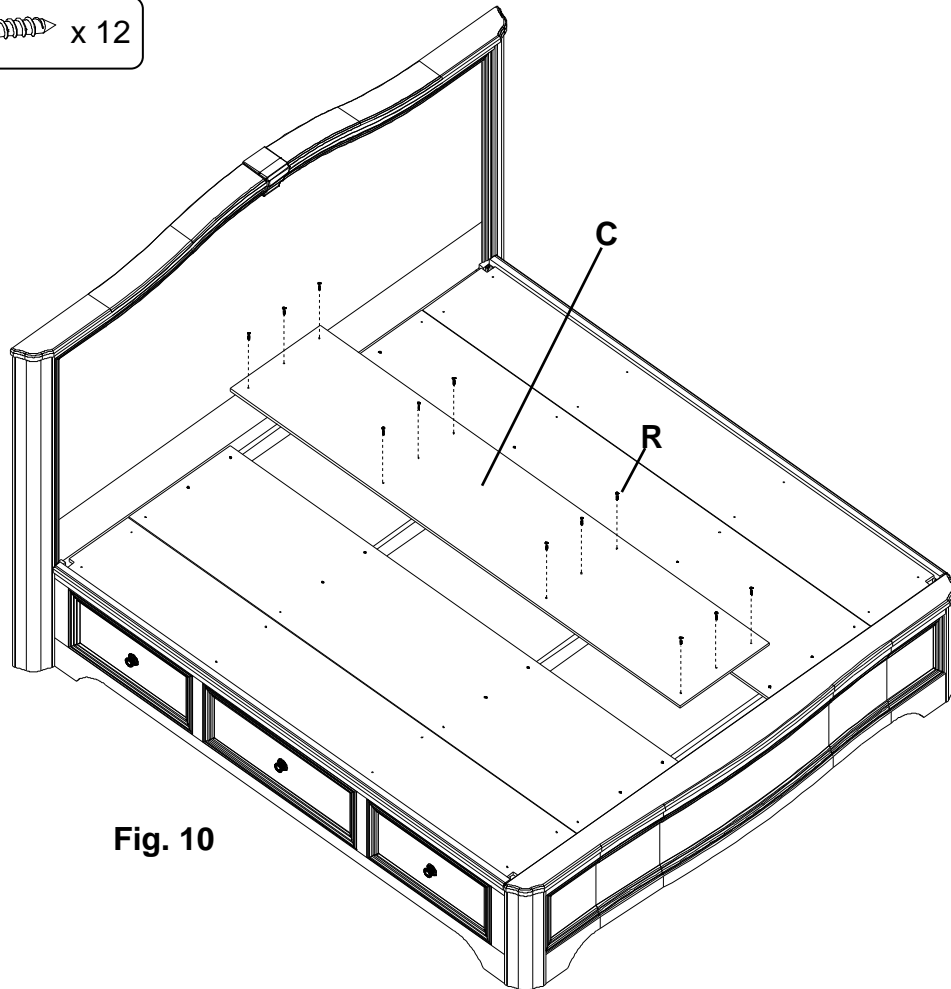
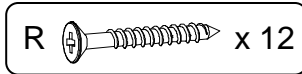
**1716RGBb Stonewood Queen Storage Bed**  
**1726RGBb Stonewood King Storage Bed**  
**1746RGBc Stonewood Queen Bed**  
**1749RGBc Stonewood King Bed**

*Assembly Instructions*

This assembly requires two people.

**Step 10 is for the Stonewood King Storage Bed (#1726)**

10. Place the Center Deckboard (C) as shown in Figure 10 and secure with twelve #8 x 1-1/4" Black Screws (R). If you need to adjust the Assembled Feet, remove the Center Deckboard, adjust the glides and reattach the deckboard.



**Fig. 10**

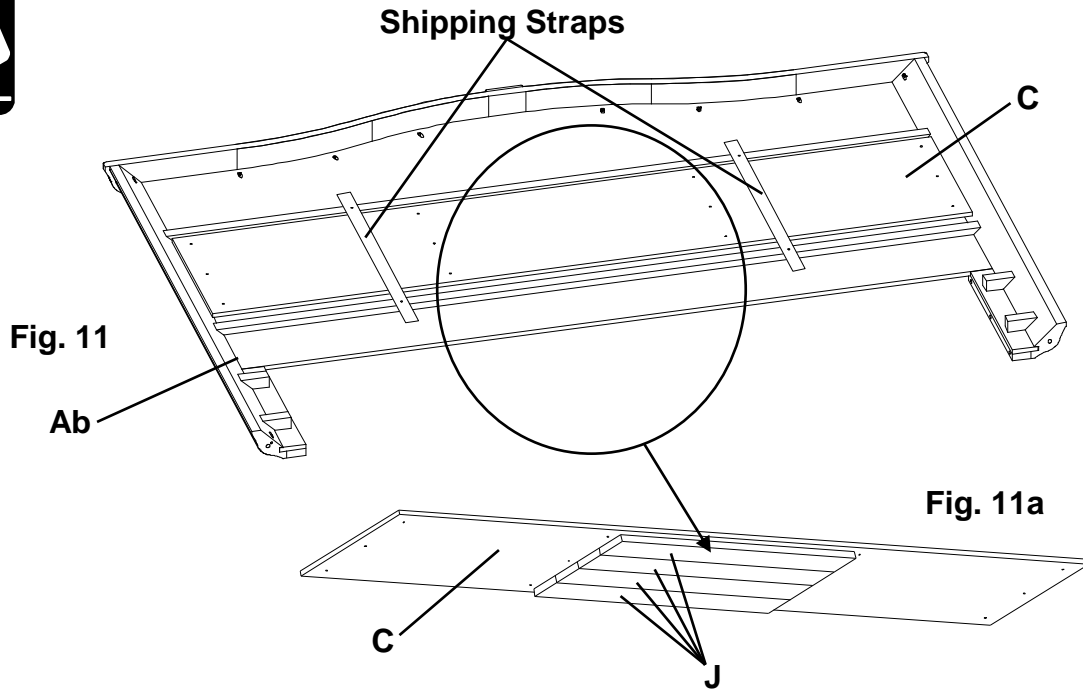
**This concludes the assembly process for the Stonewood Storage Bed, if you have purchased a Stonewood Rail Bed please refer to the instructions beginning on page 13.**

**1716RGBb Stonewood Queen Storage Bed**  
**1726RGBb Stonewood King Storage Bed**  
**1746RGBc Stonewood Queen Bed**  
**1749RGBc Stonewood King Bed**

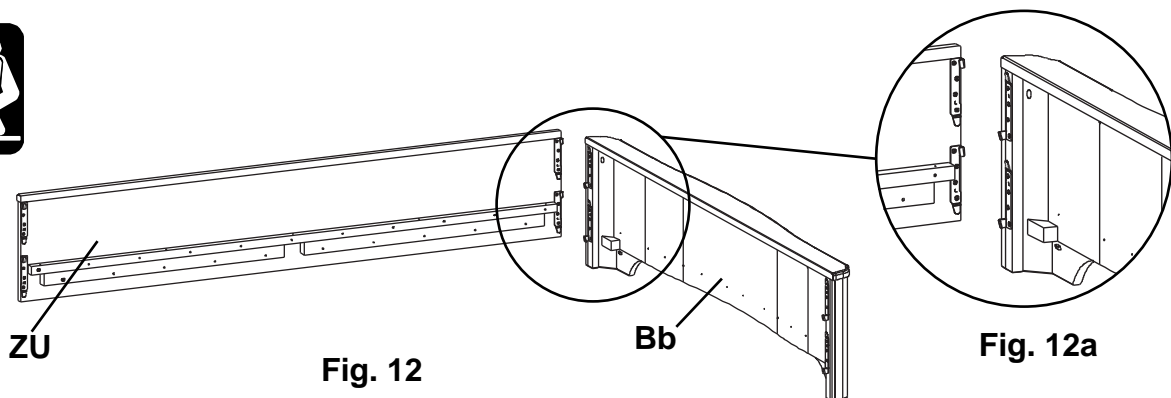
*Assembly Instructions*

This assembly requires two people.

11. Remove the Queen Trestles (I) that are packed with the Headboard (Ab) (**for the 1746 Stonewood Queen Bed**) and the Center Deckboard (C) and King Trestles (J) (**for the 1749 Stonewood King Bed**) from the back of the Headboard (Ab) and discard or recycle them. See Figures 11, 11a.



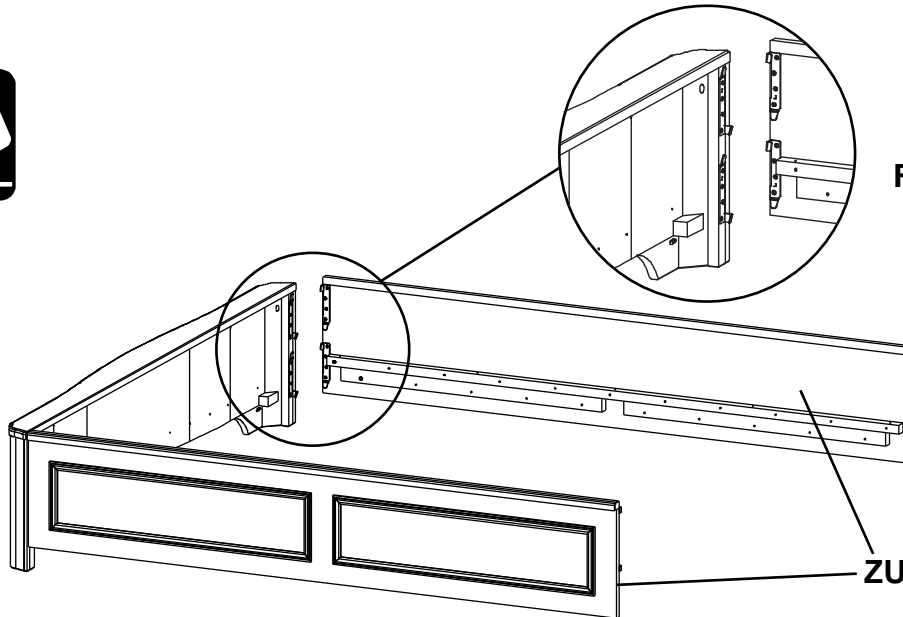
12. To attach the Footboard (Bb) to the Side Rail (ZU), align the Brackets and slide the Side Rail (ZU) down on to the Footboard (Bb). See Figures 12 and 12a.



**1716RGBb Stonewood Queen Storage Bed**  
**1726RGBb Stonewood King Storage Bed**  
**1746RGBc Stonewood Queen Bed**  
**1749RGBc Stonewood King Bed**

*Assembly Instructions*  
This assembly requires two people.

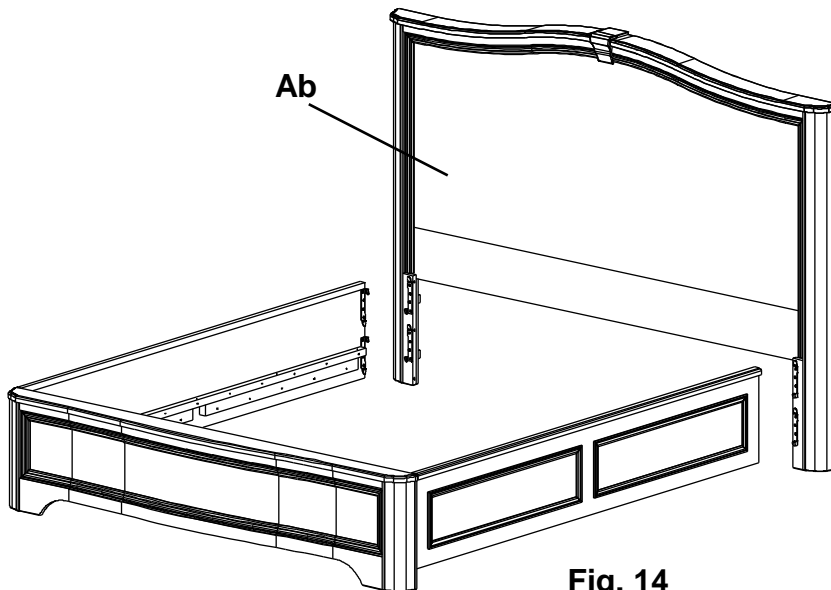
13. Repeat step twelve for the other side. See Figures 13 and 13a.



**Fig. 13a**

**Fig. 13**

14. Align the Brackets on both sides and slide the Side Rail/Footboard assembly down on to the Headboard (Ab). See Figure 14.



**Fig. 14**

**1716RGBb Stonewood Queen Storage Bed**  
**1726RGBb Stonewood King Storage Bed**  
**1746RGBc Stonewood Queen Bed**  
**1749RGBc Stonewood King Bed**

*Assembly Instructions*

This assembly requires two people.

15. Attach Assembled Feet (ZM) to five Queen Slats (ZK) or King Slats (ZL) as shown in Figure 15.

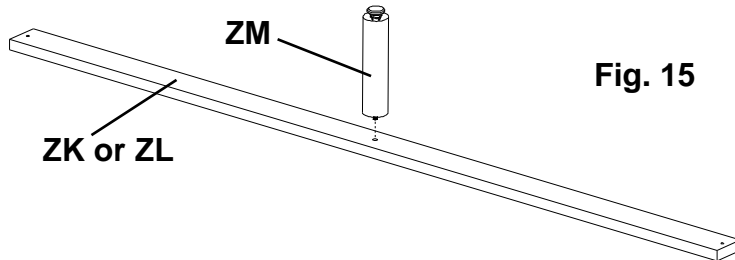


Fig. 15

16. Move the bed assembly to its final position. Position the Queen Slats (ZK) or the King Slats (ZL) on the bottom edges of the rails. Attach with #8 x 1-1/4" Black Screws (R). See Figure 16.

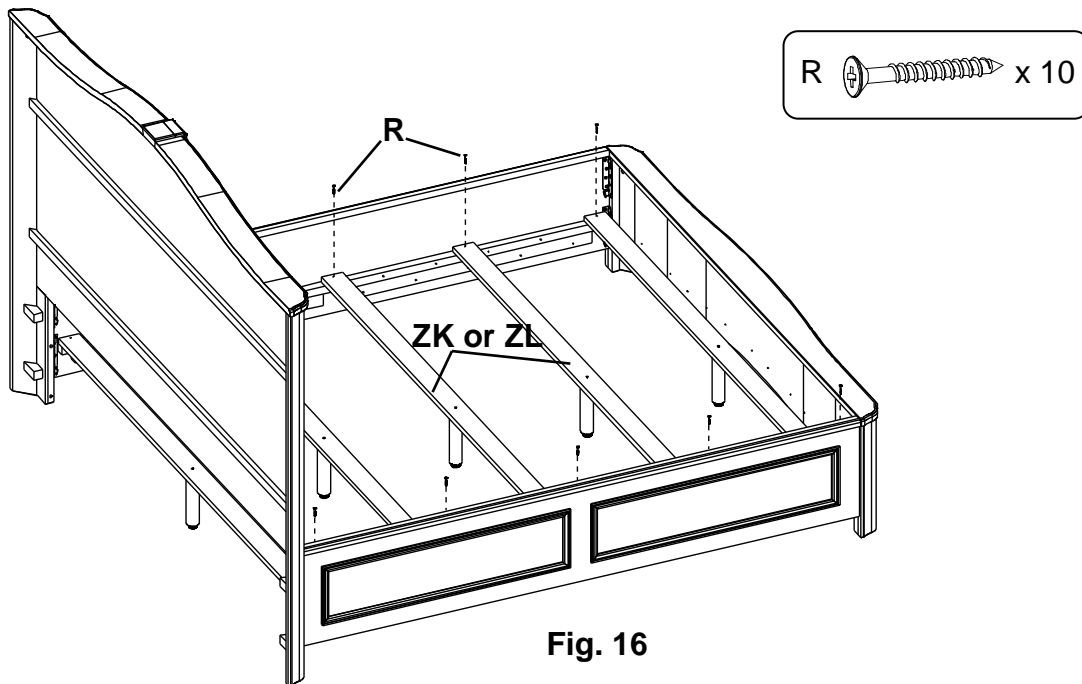


Fig. 16

17. Adjust the Adjustable Glides with Hex Nut (ZO) on the Assembled Feet (ZM) so the Glides just touch the floor, making sure the Assembled Feet bear weight. See Figure 17.

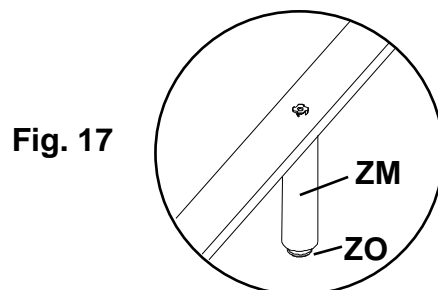


Fig. 17