

McKenzie Alder Bookcases: 29"- 60" h

AEGAC = Glazed Antique Cherry finish; AEGSP = Glazed Spice finish;

AECAF = Caffè finish

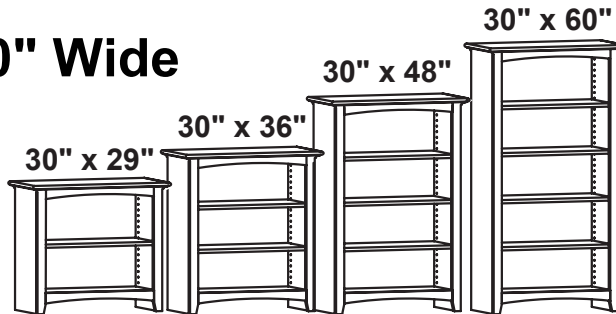
Assembly Instructions

24" Wide



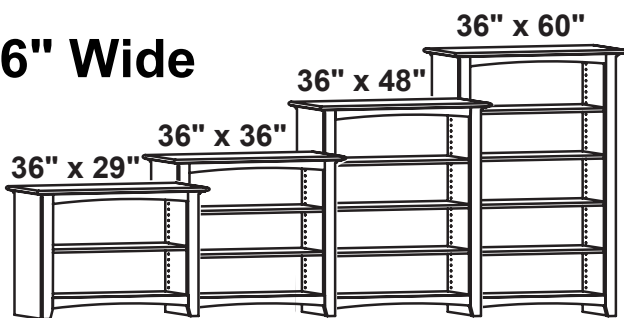
1520AEGAC	1521AEGAC	1522AEGAC	1523AEGAC
1520AEGSP	1521AEGSP	1522AEGSP	1523AEGSP
1520AECAF	1521AECAF	1522AECAF	1523AECAF

30" Wide



1530AEGAC	1531AEGAC	1532AEGAC	1533AEGAC
1530AEGSP	1531AEGSP	1532AEGSP	1533AEGSP
1530AECAF	1531AECAF	1532AECAF	1533AECAF

36" Wide



1540AEGAC	1541AEGAC	1542AEGAC	1543AEGAC
1540AEGSP	1541AEGSP	1542AEGSP	1543AEGSP
1540AECAF	1541AECAF	1542AECAF	1543AECAF

Congratulations!

This fine piece of furniture will make a gorgeous addition to your home. For the best results, read the Assembly Instructions before you begin your project.



IMPORTANT NOTES:

- For normal household use only. **Not** recommended for commercial use.
- Do not climb, sit or stand on this piece of furniture.
- Before you begin your project, completely read the Assembly Instructions.
- Store this item: 1- in its box; 2- in a dry place; 3- in temperatures that range from 40°F to 90°F (not on a cold and possibly damp cement floor).
- Periodically inspect your furniture for any loose glue joints, screws or any other problem that might affect the stability of your furniture. Tighten or repair as needed.

DESIGN SUBJECT TO CHANGE WITHOUT NOTICE.



CALL US FIRST! Do not return this item to the store.

Service Policy: We will replace any part that is defective, missing or damaged during assembly. Please contact Whittier Wood Products customer service department directly by phone, fax, mail or email for a replacement part.

Hours: Our friendly customer service staff can be reached Monday-Friday 7:00 a.m. to 5:00 p.m. (Pacific Time). You may leave a message 24 hours a day, seven days a week.

To Order: Designate the finish, provide the furniture model number found underneath the unit, the part letter, production code, quantity needed, reason for replacement, your full name, address and telephone number.

Parts ship from our Eugene, Oregon factory within one or two business days from the time we receive your request. Please allow five to ten business days for delivery.

800-653-3336 • Outside the U.S. or Canada: 541-687-0213 • Fax: 541-687-2060
www.whittierwood.com • P.O. Box 2827 • Eugene, Oregon 97402, U.S.A.



P.O. Box 2827
Eugene, OR 97402 USA

Production Code:

Glazed Antique Cherry finish (AEGAC) & Glazed Spice finish (AEGSP) & Caffè finish (AECAF) McKenzie Alder Bookcase — Parts List

Before you begin to assemble this unit, identify each part and make sure the quantities received match what is on this list.

If you need to replace a part, please refer to the following list for the part name and letter code.

A — Adjustable Shelf

Model #	
1520AEGAC	}
1520AEGSP	
1520AECAF	
1530AEGAC	
1530AEGSP	
1530AECAF	
1540AEGAC	
1540AEGSP	
1540AECAF	Qty. 1

1521AEGAC	}
1521AEGSP	
1521AECAF	
1531AEGAC	
1531AEGSP	
1531AECAF	
1541AEGAC	
1541AEGSP	
1541AECAF	Qty. 2

1522AEGAC	}
1522AEGSP	
1522AECAF	
1532AEGAC	
1532AEGSP	
1532AECAF	
1542AEGAC	
1542AEGSP	
1542AECAF	Qty. 3

1523AEGAC	}
1523AEGSP	
1523AECAF	
1533AEGAC	
1533AEGSP	
1533AECAF	
1543AEGAC	
1543AEGSP	
1543AECAF	Qty. 4

B — Shelf Bracket



Model #	
1520AEGAC	}
1520AEGSP	
1520AECAF	
1530AEGAC	
1530AEGSP	
1530AECAF	
1540AEGAC	
1540AEGSP	
1540AECAF	Qty. 4

1521AEGAC	}
1521AEGSP	
1521AECAF	
1531AEGAC	
1531AEGSP	
1531AECAF	
1541AEGAC	
1541AEGSP	
1541AECAF	Qty. 8

1522AEGAC	}
1522AEGSP	
1522AECAF	
1532AEGAC	
1532AEGSP	
1532AECAF	
1542AEGAC	
1542AEGSP	
1542AECAF	Qty. 12

1523AEGAC	}
1523AEGSP	
1523AECAF	
1533AEGAC	
1533AEGSP	
1533AECAF	
1543AEGAC	
1543AEGSP	
1543AECAF	Qty. 16

C — #6 x 1/2" Undercut Screw



Model #	
1520AEGAC	}
1520AEGSP	
1520AECAF	
1530AEGAC	
1530AEGSP	
1530AECAF	
1540AEGAC	
1540AEGSP	
1540AECAF	Qty. 4

1521AEGAC	}
1521AEGSP	
1521AECAF	
1531AEGAC	
1531AEGSP	
1531AECAF	
1541AEGAC	
1541AEGSP	
1541AECAF	Qty. 8

1522AEGAC	}
1522AEGSP	
1522AECAF	
1532AEGAC	
1532AEGSP	
1532AECAF	
1542AEGAC	
1542AEGSP	
1542AECAF	Qty. 12

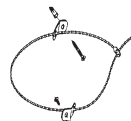
1523AEGAC	}
1523AEGSP	
1523AECAF	
1533AEGAC	
1533AEGSP	
1533AECAF	
1543AEGAC	
1543AEGSP	
1543AECAF	Qty. 16

D — Top — Qty. 1 (attached)

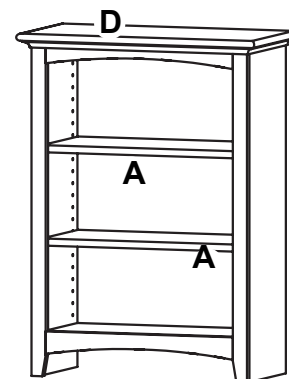
F — Tack Glide — Qty. 4



G — #8x 1" Pan Head Screw
— Qty. 8 (inserted)



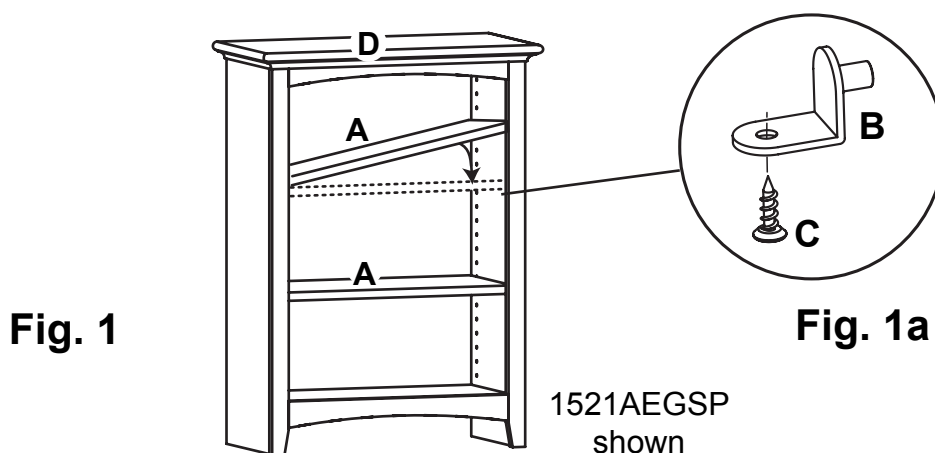
TR — Furniture Tipping
Restraint — Qty. 1



1521AEGSP
shown

Glazed Antique Cherry finish (AEGAC) & Glazed Spice finish (AEGSP) & Caffè finish (AECAF) McKenzie Alder Bookcase — Assembly Instructions

Tool required: Phillips screwdriver



To move the adjustable shelves:

1. Determine where you want to place the Adjustable Shelves (A). Remove the #6 x 1/2" Undercut Screws (C) from the underside of the shelf and take out the Shelf and Shelf Brackets (B). Insert the Shelf Brackets (flat side down) into the four different holes and insert the shelf. You may secure them by inserting #6 x 1/2" Undercut Screws (C).
2. When you have determined the location for your unit, install the Tipping Restraint (TR). Carefully follow the instructions inside the package. If you cannot locate a stud, purchase the proper tipping restraint for your type of wall and install.