

# McKenzie Alder Bookcases with doors: 72" & 84"h

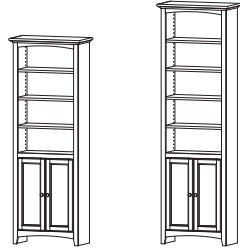
**AEGAC = Glazed Antique Cherry finish; AEGSP = Glazed Spice finish;**

**AECAF = Caffè finish**

*Assembly Instructions*

## 24" Wide

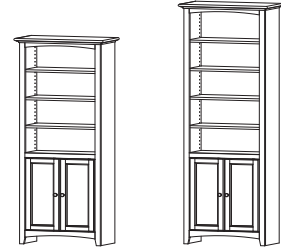
24" x 72"    24" x 84"



1525AEGAC    1527AEGAC  
1525AEGSP    1527AEGSP  
1525AECAF    1527AECAF

## 30" Wide

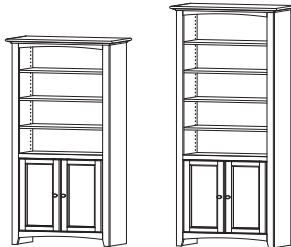
30" x 72"    30" x 84"



1535AEGAC    1537AEGAC  
1535AEGSP    1537AEGSP  
1535AECAF    1537AECAF

## 36" Wide

36" x 72"    36" x 84"



1545AEGAC    1547AEGAC  
1545AEGSP    1547AEGSP  
1545AECAF    1547AECAF



## IMPORTANT NOTES:

- For normal household use only. **Not** recommended for commercial use.
- Do not climb, sit or stand on this piece of furniture.
- Before you begin your project, completely read the Assembly Instructions.
- Store this item: 1- in its box; 2- in a dry place; 3- in temperatures that range from 40°F to 90°F (not on a cold and possibly damp cement floor).
- Periodically inspect your furniture for any loose glue joints, screws or any other problem that might affect the stability of your furniture. Tighten or repair as needed.

**DESIGN SUBJECT TO CHANGE WITHOUT NOTICE.**

## Congratulations!

*This fine piece of furniture will make a gorgeous addition to your home. For the best results, read the Assembly Instructions before you begin your project.*



**CALL US FIRST!** *Do not return this item to the store.*

**Service Policy:** We will replace any part that is defective, missing or damaged during assembly. Please contact Whittier Wood Products customer service department directly by phone, fax, mail or email for a replacement part.

**Hours:** Our friendly customer service staff can be reached Monday-Friday 7:00 a.m. to 5:00 p.m. (Pacific Time). You may leave a message 24 hours a day, seven days a week.

**To Order:** Designate the finish, provide the furniture model number found underneath the unit, the part letter, production code, quantity needed, reason for replacement, your full name, address and telephone number.

*Parts ship from our Eugene, Oregon factory within one or two business days from the time we receive your request. Please allow five to ten business days for delivery.*

**800-653-3336** • Outside the U.S. or Canada: 541-687-0213 • Fax: 541-687-2060  
www.whittierwood.com • P.O. Box 2827 • Eugene, Oregon 97402, U.S.A.

**Whittier  
Wood**  
FURNITURE

P.O. Box 2827  
Eugene, OR 97402 USA

Production Code:

02/10

# Glazed Antique Cherry finish (AEGAC) & Glazed Spice finish (AEGSP) & Caffè finish (AECAF) McKenzie Alder Bookcase — Parts List

Before you begin to assemble this unit, identify each part and  
make sure the quantities received match what is on this list.

If you need to replace a part, please refer to the following list for the part name and letter code.

## A — Adjustable Shelf

Model #

1525AEGAC	}	Qty. 4
1525AEGSP		
1525AECAF		
1535AEGAC		
1535AEGSP	}	Qty. 4
1535AECAF		
1545AEGAC		
1545AEGSP	}	Qty. 5
1545AECAF		

1527AEGAC	}	Qty. 5
1527AEGSP		
1527AECAF		
1537AEGAC		
1537AEGSP	}	Qty. 20
1537AECAF		
1547AEGAC		
1547AEGSP	}	Qty. 20
1547AECAF		

## B — Shelf Bracket



Model #

1525AEGAC	}	Qty. 16
1525AEGSP		
1525AECAF		
1535AEGAC		
1535AEGSP	}	Qty. 20
1535AECAF		
1545AEGAC		
1545AEGSP	}	Qty. 20
1545AECAF		

1527AEGAC	}	Qty. 20
1527AEGSP		
1527AECAF		
1537AEGAC		
1537AEGSP	}	Qty. 20
1537AECAF		
1547AEGAC		
1547AEGSP	}	Qty. 20
1547AECAF		

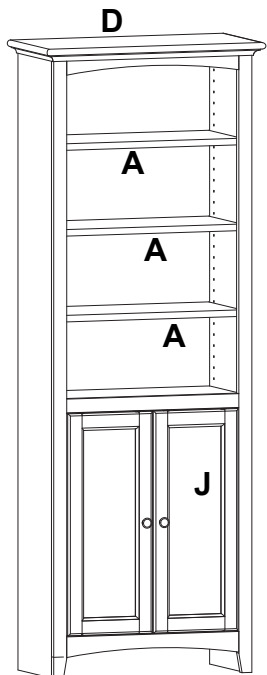
## C — #6 x 1/2" Undercut Screw



Model #

1525AEGAC	}	Qty. 16
1525AEGSP		
1525AECAF		
1535AEGAC		
1535AEGSP	}	Qty. 20
1535AECAF		
1545AEGAC		
1545AEGSP	}	Qty. 20
1545AECAF		

1527AEGAC	}	Qty. 20
1527AEGSP		
1527AECAF		
1537AEGAC		
1537AEGSP	}	Qty. 20
1537AECAF		
1547AEGAC		
1547AEGSP	}	Qty. 20
1547AECAF		



1525AEGSP shown

D — Top Assembly — Qty. 1

F — Tack Glide — Qty. 2

G — #8x1" Pan Head Screw — Qty. 8

H — Nylon Insert — Qty. 2 (inserted)

I — Small Adjustable Glide (installed) — Qty. 2

J — Door — Qty. 2 (installed)

K — Hinge — Qty. 4 (installed)

L — Base Plate — Qty. 4 (installed)

M — Knob — Qty. 2 (installed)

N — #8 x 1-1/2" Machine Screw — Qty. 2 (installed)

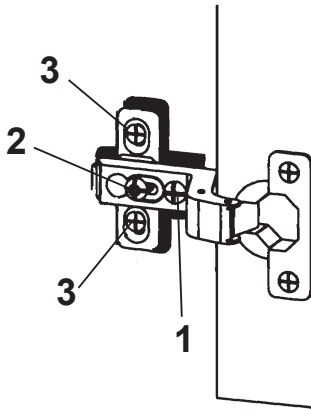
TR — Tipping Restraint — Qty. 1

# Glazed Antique Cherry finish (AEGAC) & Glazed Spice finish (AEGSP) & Caffè finish (AECAF) McKenzie Alder Bookcase — Assembly Instructions

Tools required: Phillips screwdriver

---

## 1. To adjust the doors:



### Side adjustment 4mm (5/32")

To move the door towards the side panel, loosen screw "1" and tighten screw "2". To move the door away from the side panel, loosen screw "2" and tighten screw "1".

### Depth Adjustment 4mm (5/32")

Loosen screw "2" (just one turn). Adjust the door to the desired position and retighten the screw.

### Height Adjustment 4mm (5/32")

Loosen screw "3", adjust the door to the desired position and retighten the screw.

---

## To move the adjustable shelves:

- Determine where you want to place the Adjustable Shelves (A). Remove the #6 x 1/2" Undercut Screws (C) from the underside of the shelf and take out the Shelf and Shelf Brackets (B). Insert the Shelf Brackets (flat side down) into the four different holes and insert the shelf. You may secure them by inserting #6 x 1/2" Undercut Screws (C).
  - Place the bookcase at your desired location. Level the unit using the Adjustable Glides (I) located on the bottom of the unit.
  - Install the Tipping Restraint (TR). Carefully follow the instructions inside the package. If you cannot locate a stud, purchase the proper tipping restraint for your type of wall and install.
  - If there is a problem with a Hinge (K), do not attempt to remove it. Contact Whittier Customer Service first.
-